

PUMPER BODY

Medium Aluminum 2nd Gen Pumper

CHASSIS

Enforcer Chassis

CHASSIS AXLE, FRONT, CUSTOM

19,500 Lb TAK-4 Axle

AXLE, REAR

24,000 Lb Dana Axle

ENGINE

450 HP Cummins L9 Engine

TRANSMISSION

Allison 6th Gen, 3000 EVS P

BUMPER

19" Extended Painted Steel

CAB

7010 Enforcer Cab

BODY

WATER TANK

500 Gallon Poly Water Tank

COMPT, PUMPER, REAR

37.75" FF RollUp Rear Compt

COMPT, PUMPER, LEFT SIDE

152" RollUp Full Height & Depth Front & Rear

COMPT, PUMPER, RIGHT SIDE

152" RollUp Full Height Front & Rear FDLER

FIRE SUPPRESSION PUMPHOUSE

54" Control Zone Side Mount

PUMP

1250 GPM Waterous CS

CROSSLAYS, 1.50"

(2) 1.50" Standard Capacity

CROSSLAYS, 2.50"

(1) 2.50" Standard Capacity

SPEEDLAYS

Speedlays Not Required

GENERATOR

Generator Not Required

Foam System

Husky 3 Single Agent Foam System

Foam Cell

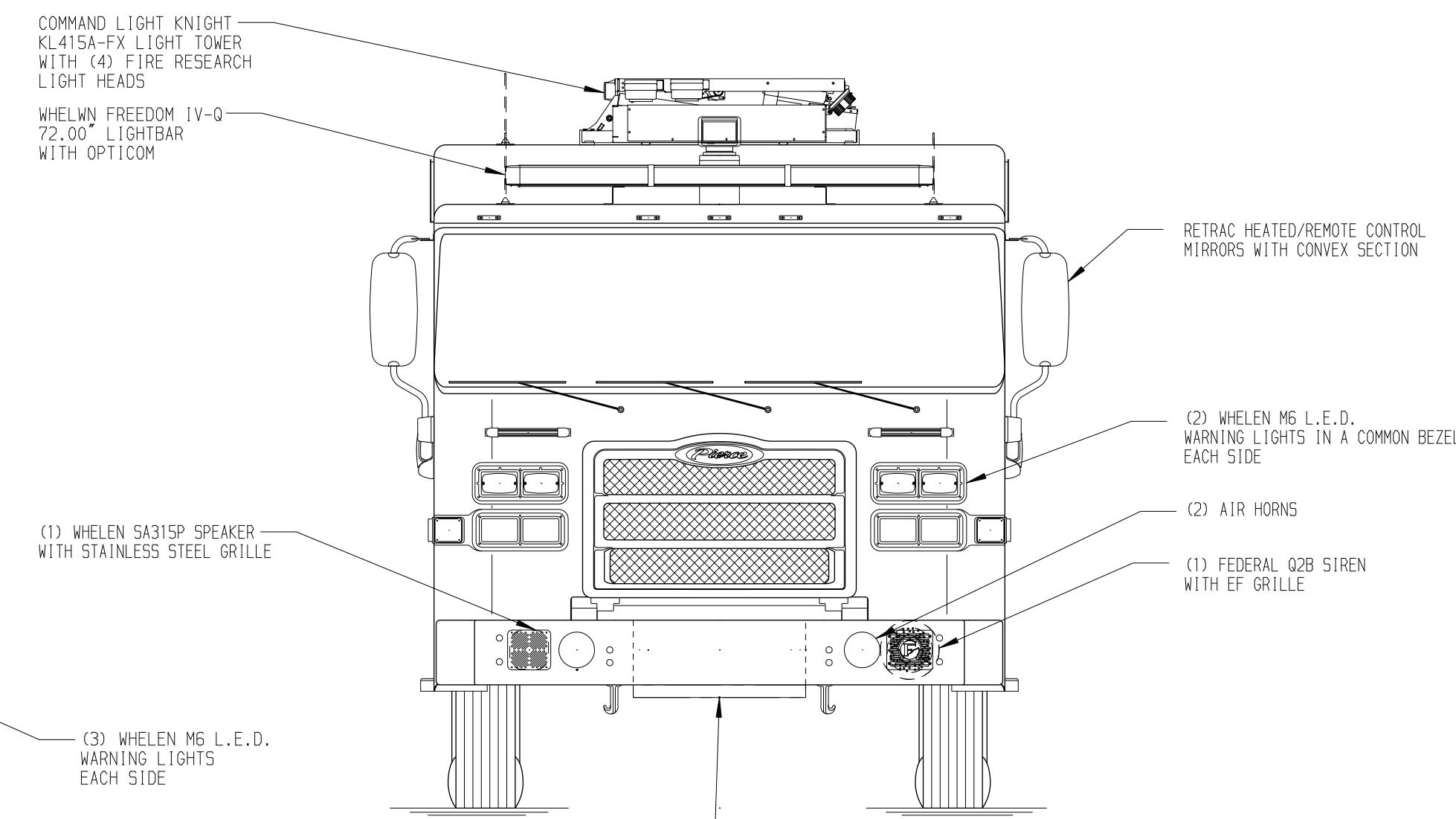
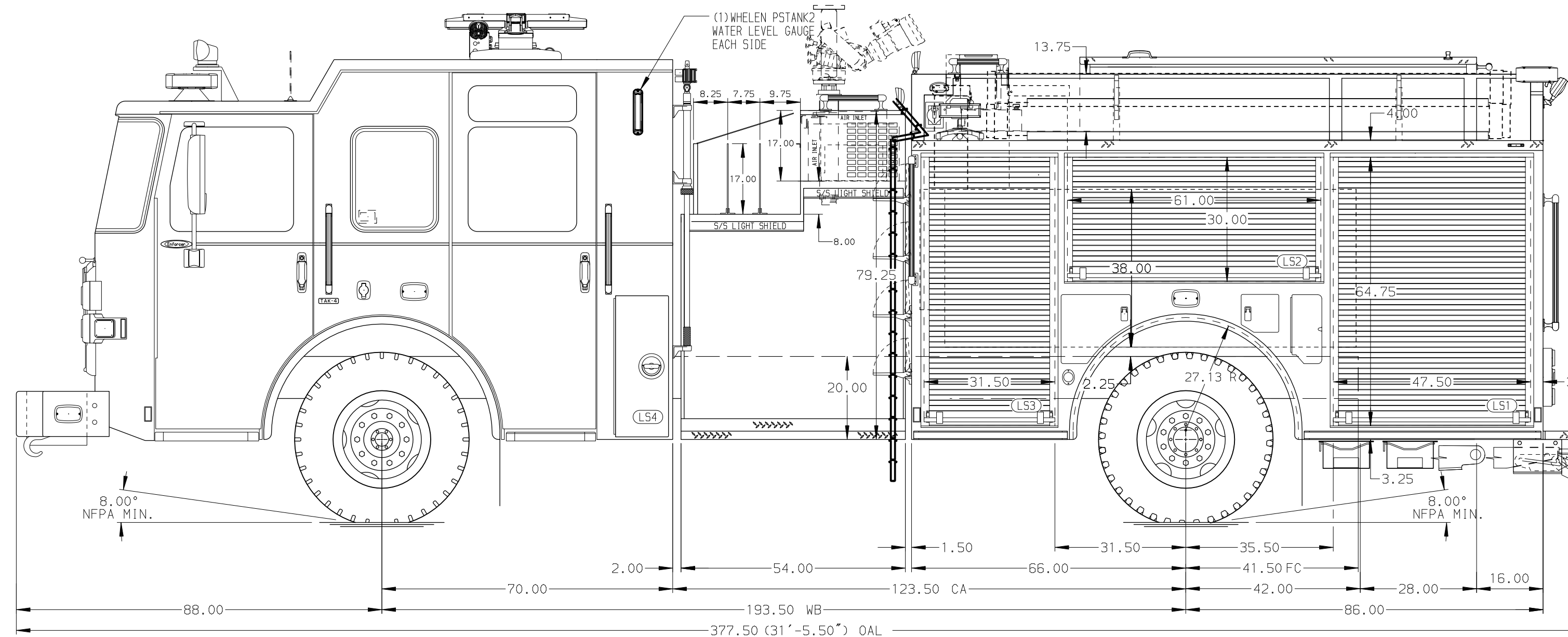
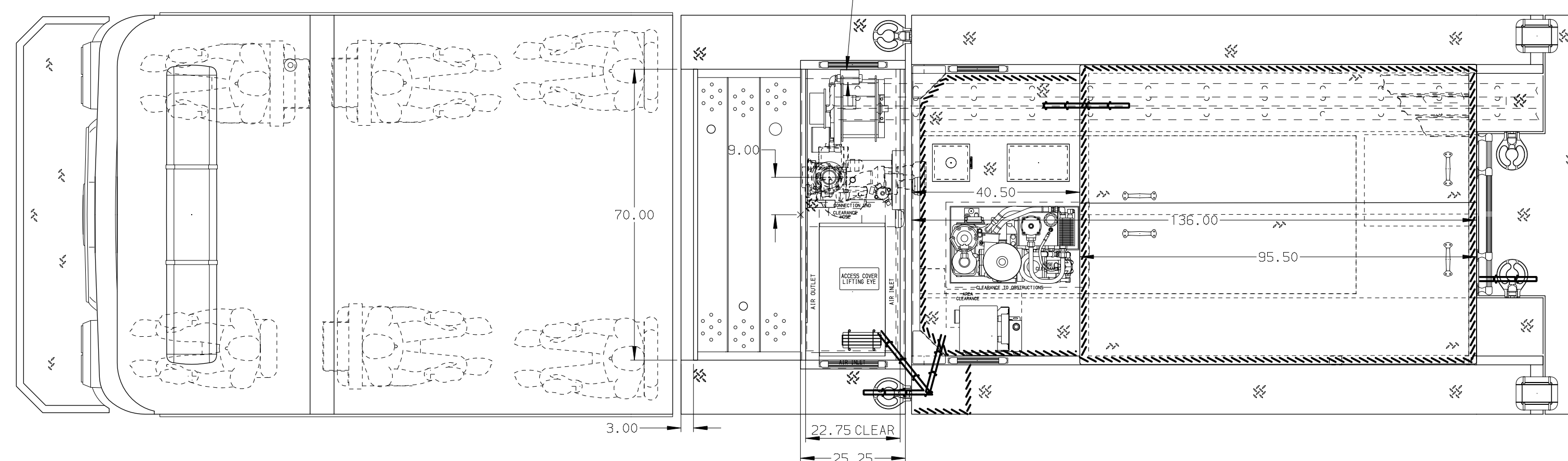
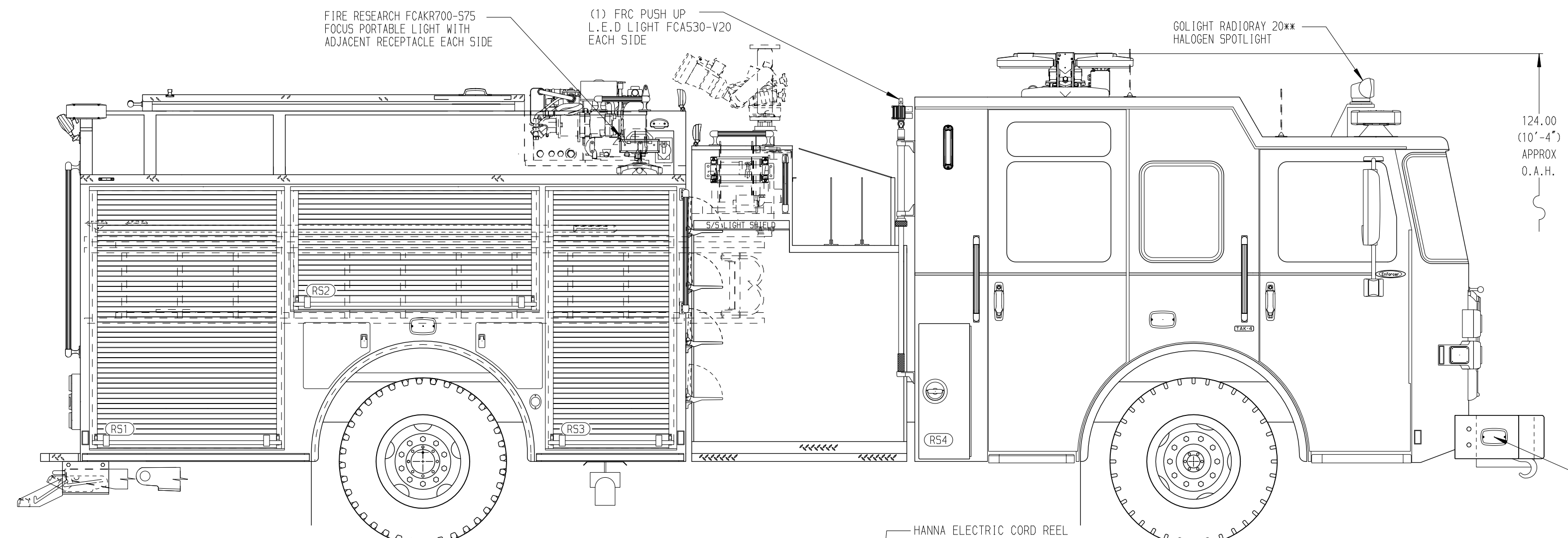
30 Gallon Foam Cell, Not Reduced Water

Side Roll and Frontal Impact Protection

NOTE

DIMENSIONS SHOWN ARE APPROXIMATE AND ARE SUBJECT TO MINOR DEVIATIONS AS MAY OCCUR OR BE NECESSARY IN CONSTRUCTION. MINOR DETAILS NOT SHOWN.

1. ONE 1.50" OUTLET WITH 2.00" PIPING AND SWIVEL LOCATED IN CENTER BUMPER TRAY
2. SHORELINE RECEPTACLE WITH KUSSMAUL SUPER AUTO-EJECT LOCATED ON DRIVER SIDE OF THE CAB
3. AIR INLET WITH DISCONNECT COUPLING IN THE DRIVER SIDE STEPWELL
4. BATTERY CHARGER LOCATED PER ORDER
5. BATTERY CHARGE INDICATOR LOCATED ON THE DRIVER SIDE SEAT RISER
6. SEVEN ADJUSTABLE SHELVES LOCATED PER ORDER
7. ONE FLOOR MOUNTED SLIDE-OUT TRAY LOCATED PER ORDER
8. ONE TILT/SLIDE-OUT TRAY LOCATED PER SHOP ORDER
9. ONE THREE DRAWER TOOL CABINET LOCATED PER SHOP ORDER
10. ONE VERTICAL PARTITION LOCATED PER SHOP ORDER
11. JUMPER STUDS DRIVER SIDE STEPWELL



HOSEBED CAPACITY	
BED 1	400' OF 1.75" D.J. POLY HOSE
BED 2	600' OF 2.50" D.J. POLY HOSE
BED 3	600' OF 5.00" D.J. POLY HOSE

		JOB NO.	38437
		SCALE	DATE
TITLE	Pierce Pumper Approval Drawing	DRAWN BY	MMF 17APR23
FOR	Clifton Fire Protection District	CHECKED BY	COL 18APR23
DWG NO.	38437AD	SHEET SIZE	SHEET NO.
		D	1 OF 1

REV	DATE	BY	CH	ENFORCER
1	12SEP23	MMF	GKH	PIERCE
2	07JUN23	MMF	GKH	MODEL