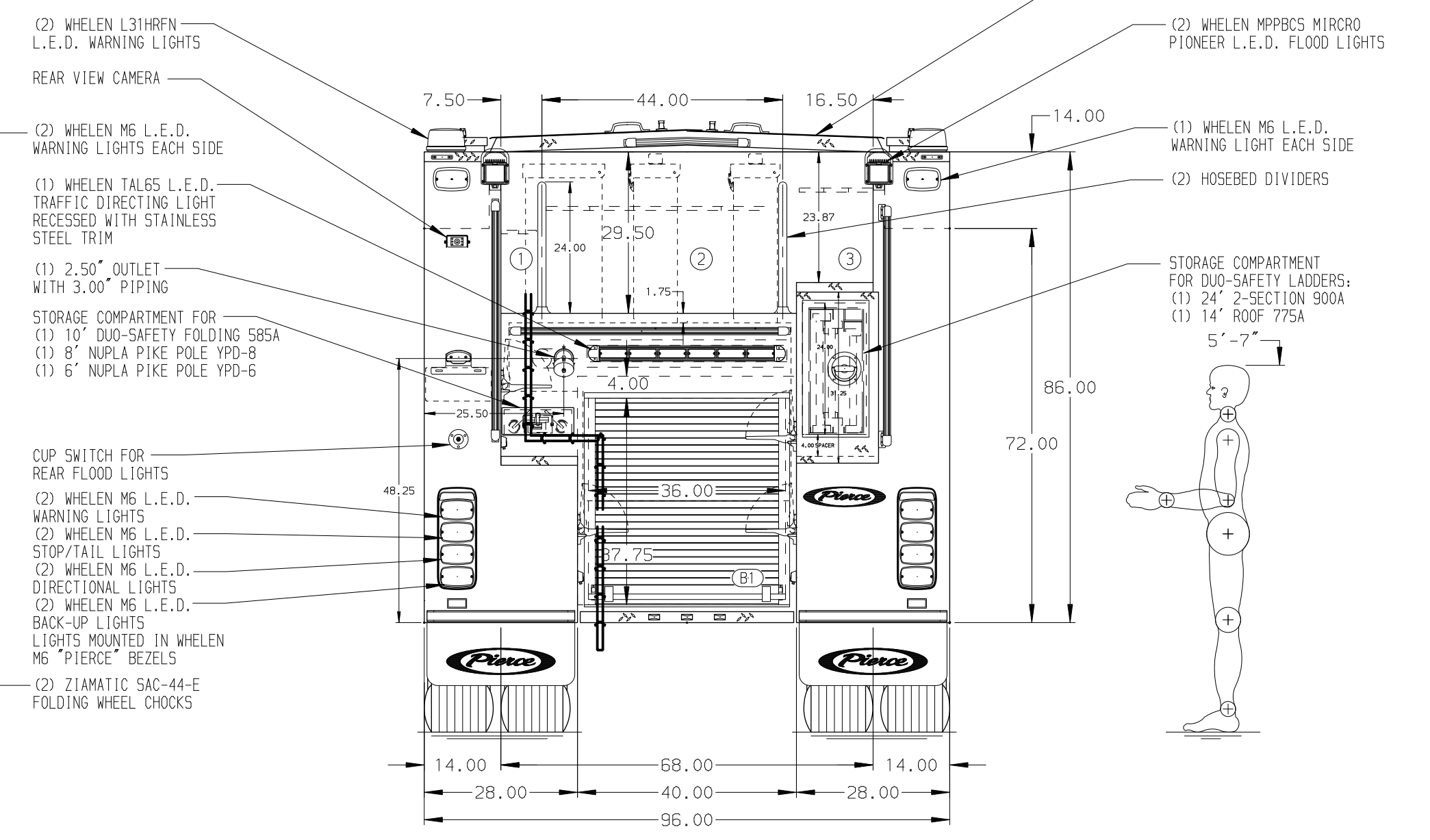
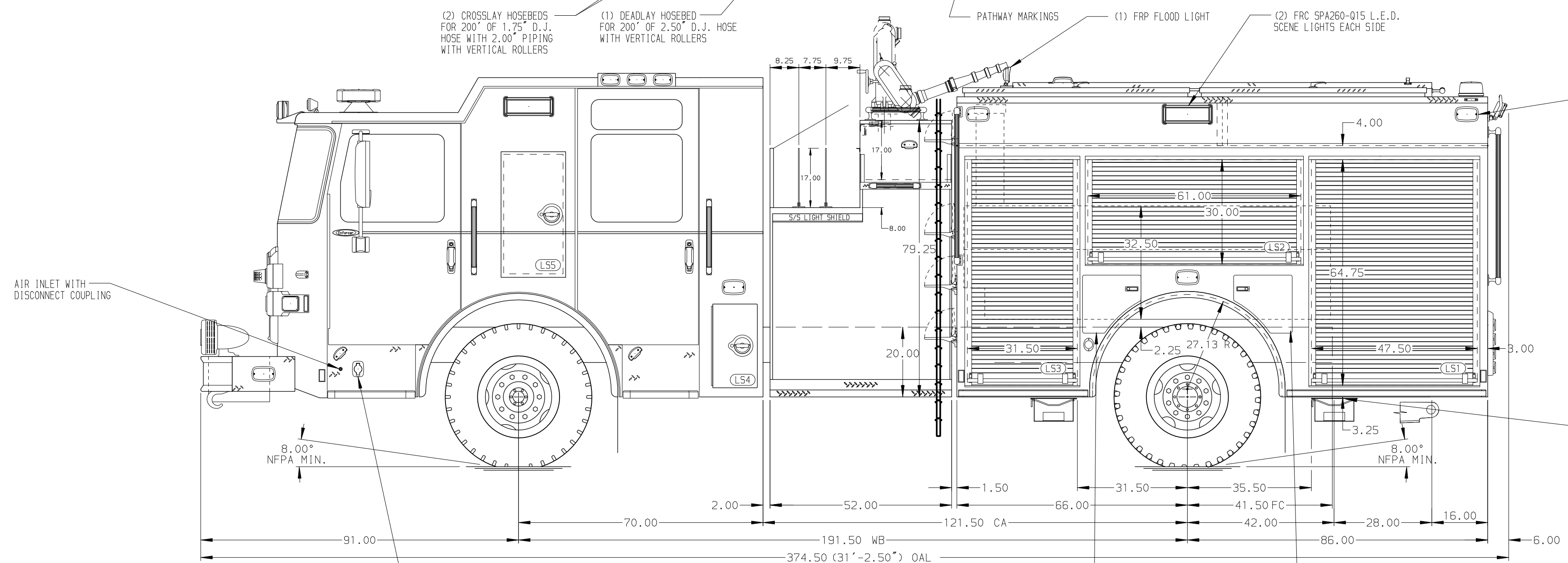


- HOSEBED CAPACITIES
- ① - 400' OF 1.75" D.J. POLY HOSE
 - ② - 1200' OF 5.00" D.J. POLY HOSE
 - ③ - 600' OF 2.50" D.J. POLY HOSE



ALUMINUM BODY

SIDE ROLL AND FRONTAL IMPACT PROTECTION

NOTE
DIMENSIONS SHOWN ARE APPROXIMATE AND ARE SUBJECT TO MINOR DEVIATIONS AS MAY OCCUR OR BE NECESSARY IN CONSTRUCTION. MINOR DETAILS NOT SHOWN.

- 1. BATTERY CHARGE INDICATOR LOCATED PER SHOP ORDER
- 2. BATTERY CHARGER LOCATED PER SHOP ORDER
- 3. EXTERNAL FOAM SYSTEM

| REV | DATE | BY | CH | ENFORCER |
|---------|------|-----|----|----------|
| 300CT23 | JJB | KBO | | |
| 13SEP23 | JJB | KBO | | |
| 26MAY23 | JJB | KBO | | |

| | | | |
|--|--|------------|---------|
| | | JOB NO. | 38457 |
| | | SCALE | 01-02 |
| PIERCE MANUFACTURING INC. | | DATE | 1:24 |
| | | DRAWN BY | JJB |
| CHASSIS DATA TITLE 1500-D-540P, 500G WATER, (2) 20G FOAM CELLS, 152" FDLER (2) XLAYS, (1) DEADLAY, DELUGE, LADDERS BESIDE TANK FOR EL PASO FIRE DEPARTMENT EL PASO, TEXAS | | CHECKED BY | KBO |
| | | SHEET NO. | 08MAY23 |
| DWG NO. 38457AD-SH1 | | SHEET SIZE | D |
| | | OF 2 | 1 |