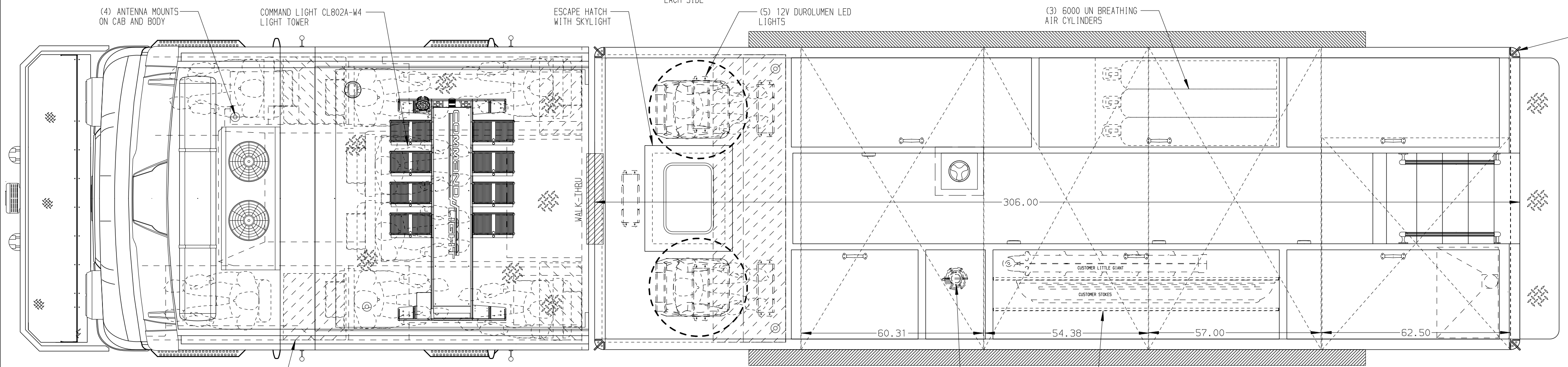
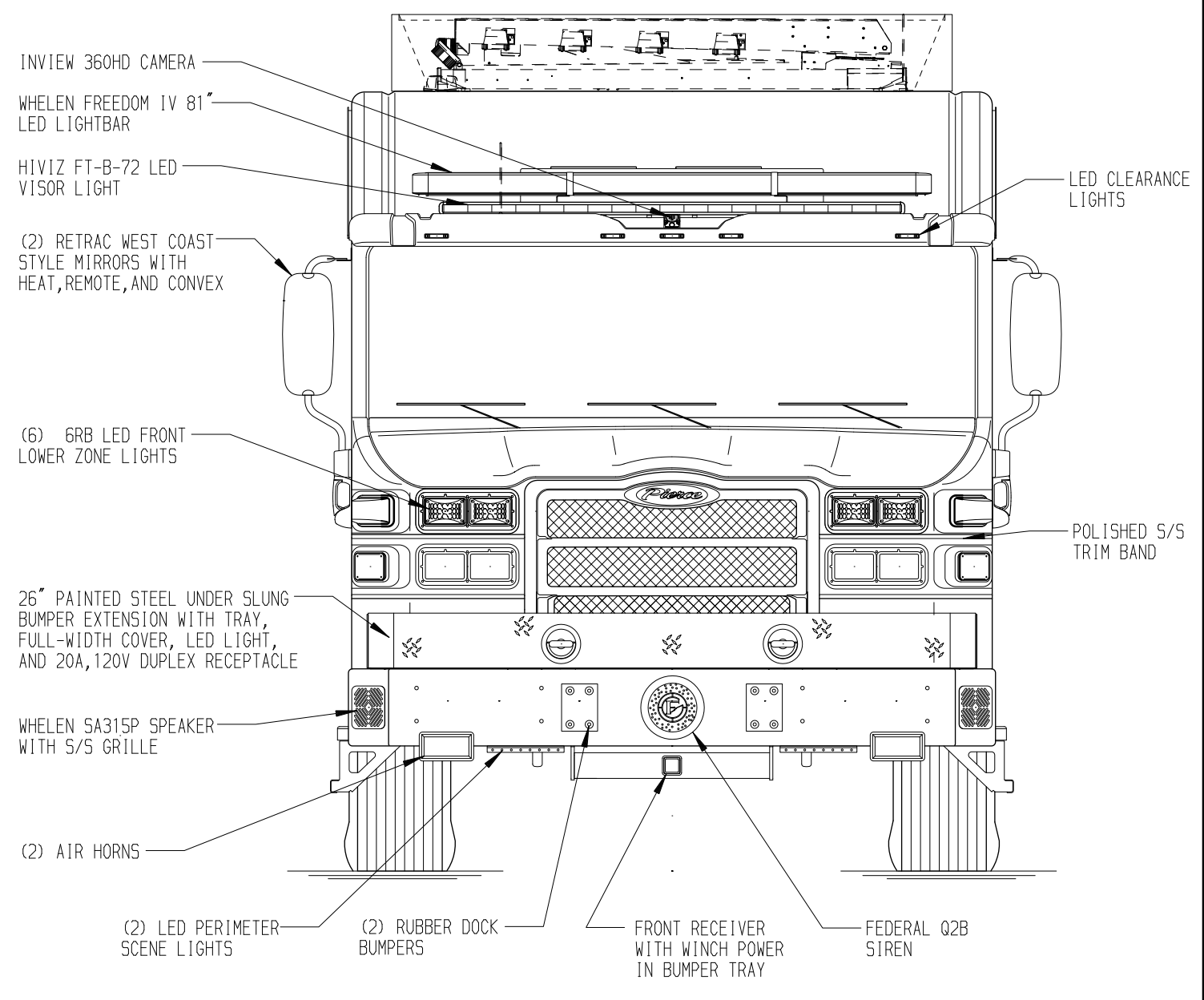
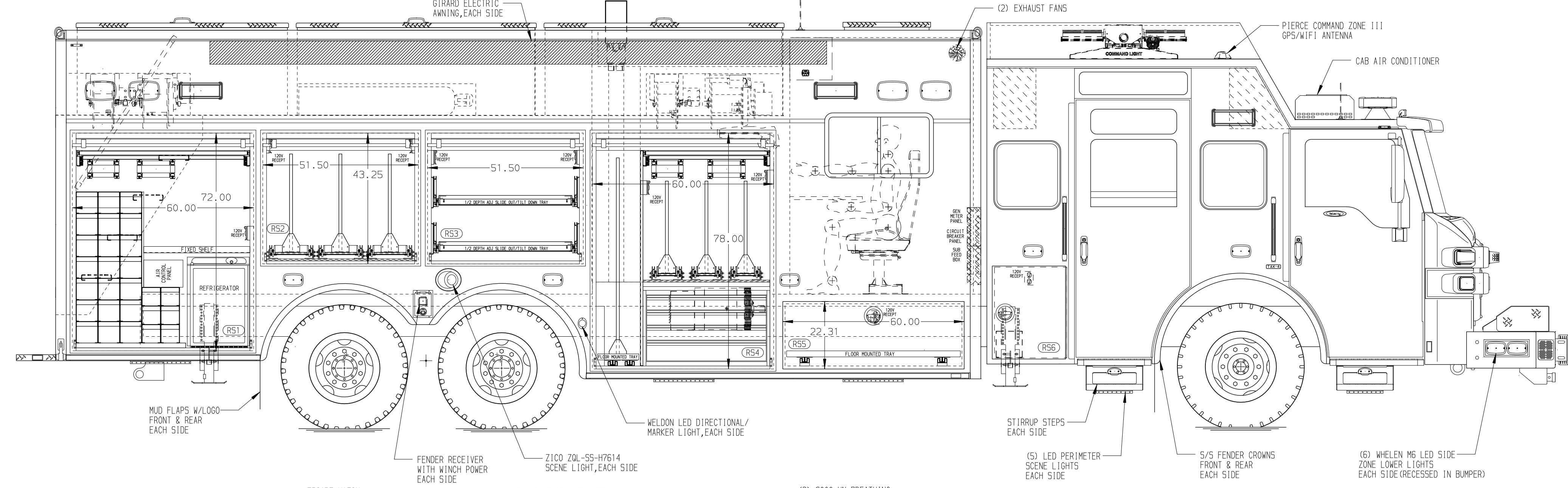
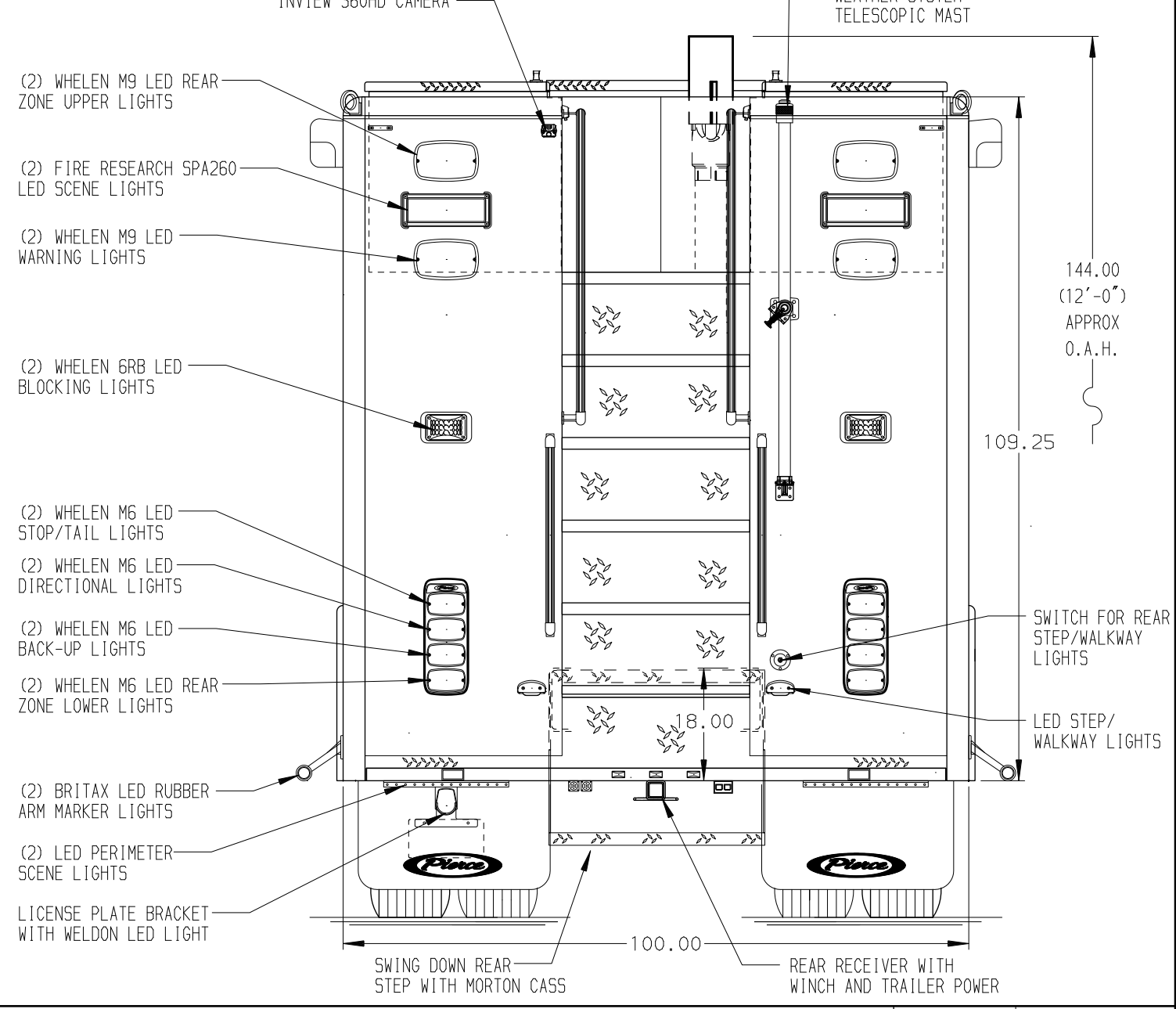
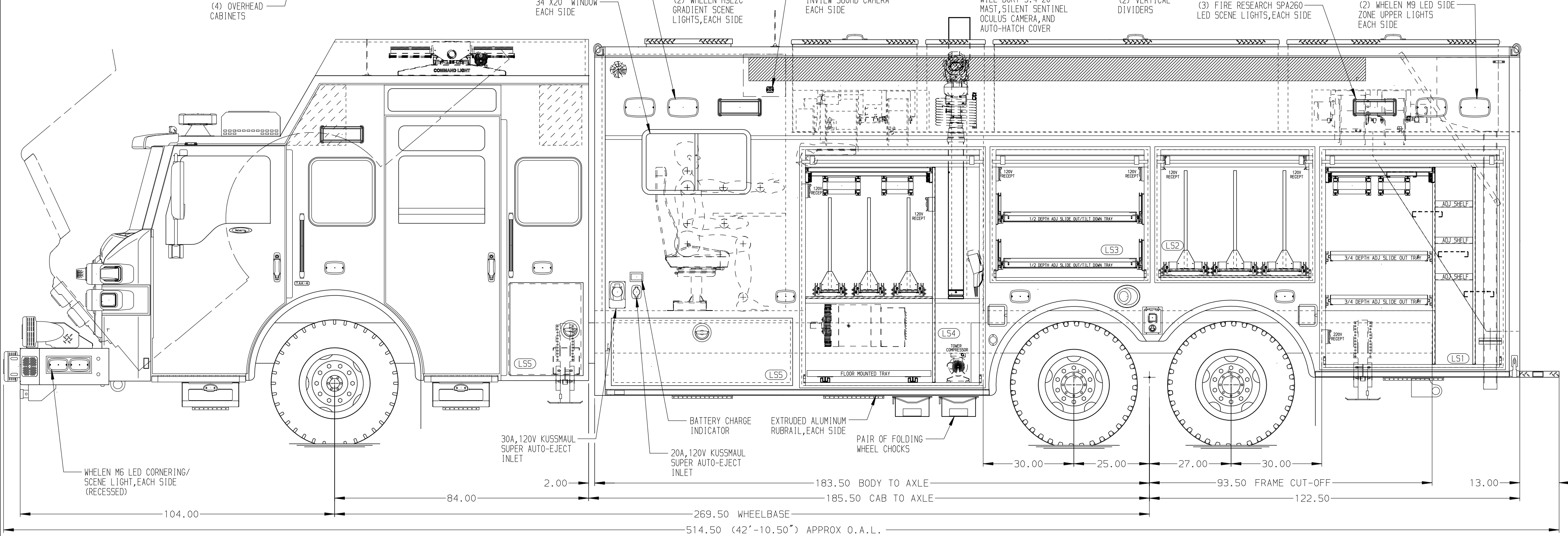
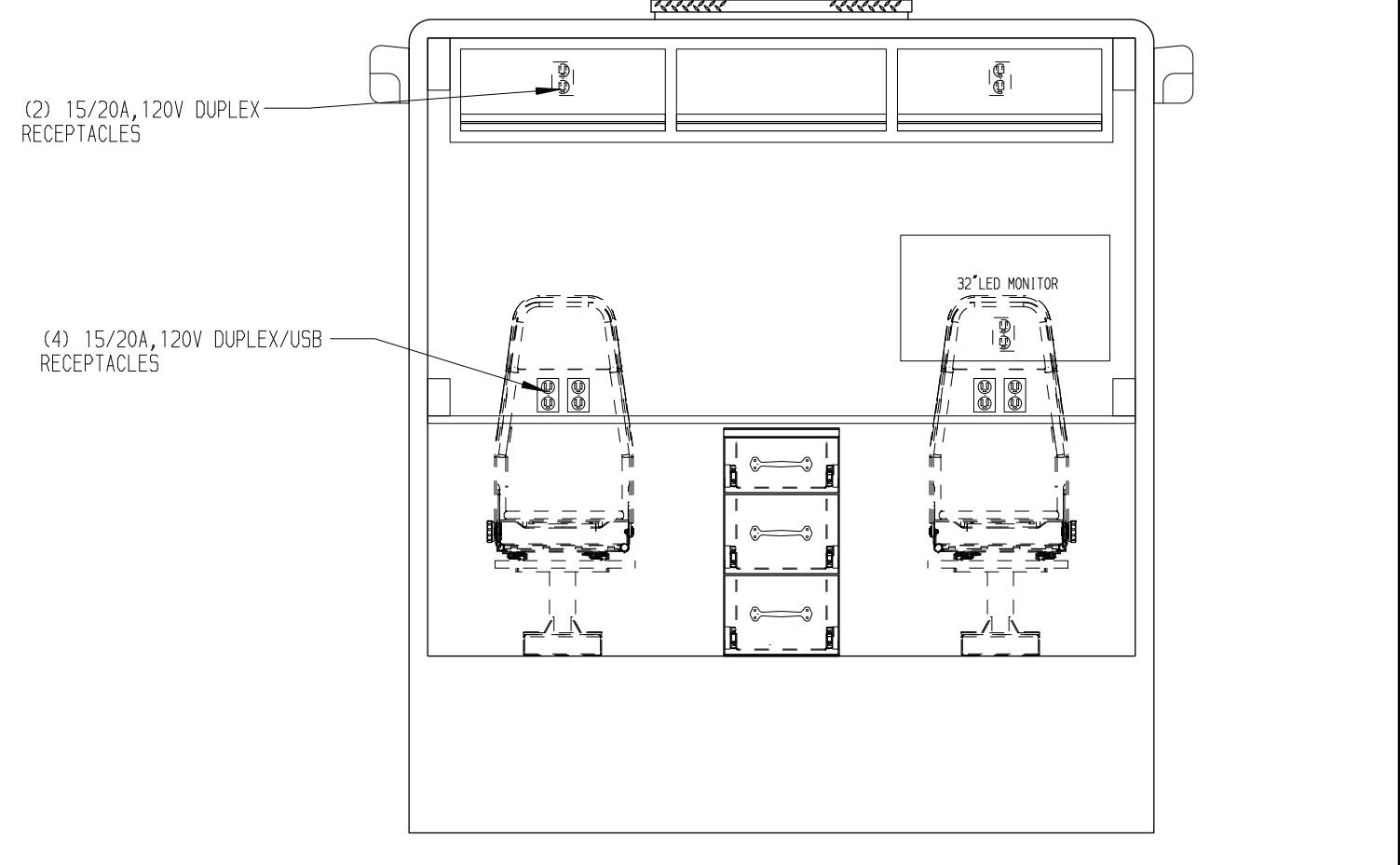


- RIGHT SIDE COMPARTMENTS CONTAIN THE FOLLOWING:**
- COMPARTMENT RS1 CONTAINS:**
- (3) STD DEPTH FIXED SHELF
  - (1) VERTICAL REAR WALL DIVIDER
  - (1) SLIDE OUT ROLLER GUIDE BRACKET
  - (1) NORCOLD 3.3 CU.FT REFRIGERATOR WITH RECEPTACLE
  - (1) HIGH PRESSURE AIR REEL W/150' OF HOSE
  - (1) HYDRAULIC REEL WITH 100' OF HOSE
  - (1) TOOL AIR SYSTEM CONTROL PANEL
  - (1) RACK FOR 8 AIR BOTTLES (6"x6")
  - (1) RACK FOR 21 AIR BOTTLES (7"x7")
- COMPARTMENT RS2 CONTAINS:**
- (3) 1000# 2-WAY FLOOR MOUNTED SLIDE OUT TRAYS WITH TOOLBOARDS
- COMPARTMENT RS3 CONTAINS:**
- (2) 1/2 DEPTH ADJ SLIDE OUT/TILT TRAYS
- COMPARTMENT RS4 CONTAINS:**
- (3) 2-WAY FLOOR MTD SLIDE OUT TOOLBOARDS
  - (1) STD DEPTH FLOOR MOUNTED SLIDE OUT TRAY WITH TOOLBOARD
  - (1) HORIZONTAL FLOOR EXTENSION
  - (1) 4-DRAWER C-TECH CABINET
  - (1) VERTICAL COMPARTMENT DIVIDER
  - (1) SLIDE OUT ROLLER GUIDE BRACKET
  - (1) ELECTRIC CORD REEL WITH 200' OF 10/4 YELLOW CORD
  - (1) LOW PRESSURE AIR REEL W/150' OF HOSE
- COMPARTMENT RS5 CONTAINS:**
- (1) FLOOR MOUNTED TRAY
  - (1) 15/20A, 120V DUPLEX RECEPTACLE



- LEFT SIDE COMPARTMENTS CONTAIN THE FOLLOWING:**
- COMPARTMENT LS1 CONTAINS:**
- (1) OIL DRY HOPPER
  - (3) STD DEPTH ADJ. SHELVES
  - (2) 3/4 DEPTH ADJ SLIDE OUT TRAYS
  - (2) VERTICAL COMPARTMENT DIVIDERS
  - (1) SLIDE OUT ROLLER GUIDE BRACKET
  - (1) 30A, 240V T.L. RECEPTACLE
  - (1) HIGH PRESSURE AIR REEL W/150' OF HOSE
  - (1) HYDRAULIC REEL WITH 100' OF HOSE
  - (1) 15/20A, 120V DUPLEX RECEPTACLE ON SLIDE OUT TRAY
- COMPARTMENT LS2 CONTAINS:**
- (3) 1000# 2-WAY FLOOR MOUNTED SLIDE OUT TRAYS WITH TOOLBOARDS
- COMPARTMENT LS3 CONTAINS:**
- (2) 1/2 DEPTH ADJ SLIDE OUT/TILT TRAYS
- COMPARTMENT LS4 CONTAINS:**
- (1) FLOOR MOUNTED TRAY
  - (3) 2-WAY FLOOR MTD SLIDE OUT TOOLBOARDS
  - (2) HORIZONTAL FLOOR EXTENSIONS
  - (1) VERTICAL COMPARTMENT DIVIDER
  - (1) SLIDE OUT ROLLER GUIDE BRACKET
  - (1) ELECTRIC CORD REEL WITH 200' OF 10/4 YELLOW CORD
  - (1) LOW PRESSURE AIR REEL W/150' OF HOSE
  - (1) CAMERA MAST CONTROLLER
  - (1) TOOL AIR SYSTEM CONTROL PANEL
  - (1) COMMAND LIGHT CONTROLLER
- COMPARTMENT LS5 CONTAINS:**
- (1) FLOOR MOUNTED TRAY
  - (1) 15/20A, 120V DUPLEX/USB RECEPTACLE



**NOTE**  
DIMENSIONS SHOWN ARE APPROXIMATE AND ARE SUBJECT TO MINOR DEVIATIONS AS MAY OCCUR OR BE NECESSARY IN CONSTRUCTION. MINOR DETAILS NOT SHOWN.

- NOTES:**
1. 0AN 35kW SINGLE PHASE PTO DRIVEN GENERATOR LOCATED BETWEEN THE FRAME RAILS
  2. AIR INLET/OUTLET WITH DISCONNECT FITTING RECESSED IN THE DRIVER'S SIDE STEP WELL
  3. WARN #9,000 PORTABLE RECEIVER STYLE WINCH
  4. POLISHED 5/5 SCUFFPLATES ON CAB AND CREW CAB DOOR JAMBS
  5. ALUMINUM TREADPLATE ON CREW CAB ROOF
  6. FLOOR IN CAB AND CREW CAB TO BE PADDED RUBBER
  7. KUSSMAUL PUMP PLUS 1200 CHARGER LOCATED BEHIND THE DRIVER'S SEAT
  8. 15/20A, 120V DUPLEX RECEPTACLES IN OVERHEAD CAB CABINETS AND CABINET ON ENGINE TUNNEL
  9. 10/4 YELLOW CORD
  10. BIG-FOOT AUTOMATIC LEVELING SYSTEM
  11. 5/5 GUARDS ON ALL BODY ROLL-UP DOORS
  12. PULL STRAPS ON ALL ROLL-UP DOORS
  13. PIERCE LED LIGHTS IN ALL BODY AND HATCH COMPARTMENTS
  14. COMPARTMENTS FLOOR AND WALLS TO BE SEALED
  15. TURTLE TILE MATTING ON COMPARTMENT FLOORS, SHELVES, AND TRAYS
  16. COMPARTMENT VENTILATION SYSTEM
  17. CIRCUIT BREAKER PANEL, SUB FEED BOX, AND METER PANEL LOCATED ON D.S. FRONT WALKIN WALL

**SIDE ROLL & FRONTAL IMPACT PROTECTION**

CLEAR DOOR WIDTH KEY		CHASSIS DATA	
AMDR ROLL UP DOORS:	-2 1/4"	02FEB24	DHE AZU
CORTITE ROLL UP DOORS:	-2 1/2"	04DEC23	DHE AZU
PIERCE DOUBLE LAP DOORS:	-4 1/4"	02AUG23	DHE AZU
PIERCE LIFT-UP LAP DOORS:	-1 1/2"		
(EX: 60" F-F - 2 1/4" = 57 3/4" CLEAR)			
(F-F) = FRAME TO FRAME		REV	DATE BY CH

**Pierce MANUFACTURING INC.**

**JOB NO. 38475**

SCALE 1:24 DATE

TITLE HEAVY DUTY RESCUE WALKIN/NON-WALKIN COMBO

FOR CLARENCE FIRE DISTRICT BID #894

DWG NO. 38475AD

DRAWN BY DHE 21JUN23

CHECKED BY AZU 27JUN23

SHEET SIZE D SHEET NO. 1 OF 1

JAMES TABOR