

Pumper, PUC

Body
Pumper, PUC, Aluminum
CHASSIS
Enforcer Chassis, PUC

CHASSIS
AXLE, FRONT, CUSTOM
20,000 Lb Dana Axle

AXLE, REAR
31,000 Lb Dana Axle

ENGINE
450 HP Cummins L9 Engine

TRANSMISSION
Allison 5th Gen, 3000 EVS P

BUMPER
19" Extended Stainless Steel

CAB
7010 Enforcer Cab, PUC

BODY
WATER TANK

1000 Gallon Poly Water Tank

COMPT, PUMPER, REAR
32.50" FF RollUp Rear Compt w/ Space Saver, PUC

COMPT, PUMPER, LEFT SIDE
177" RollUp Full Height & Depth Front & Rear, PUC

COMPT, PUMPER, RIGHT SIDE
177" RollUp Full Height & Depth Front & Rear, PUC

FIRE SUPPRESSION
PUMPHOUSE

Control Zone, PUC

PUMP

1500 GPM Pierce PUC

CROSSLAYS, 1.50"
(2) 1.50", Poly Trays, 200'

CROSSLAYS, 2.50"
(1) 2.50", Poly Tray, 200'

GENERATOR

Generator Not Required

Foam System

Husky 12 Single Agent Foam System

Foam Cell

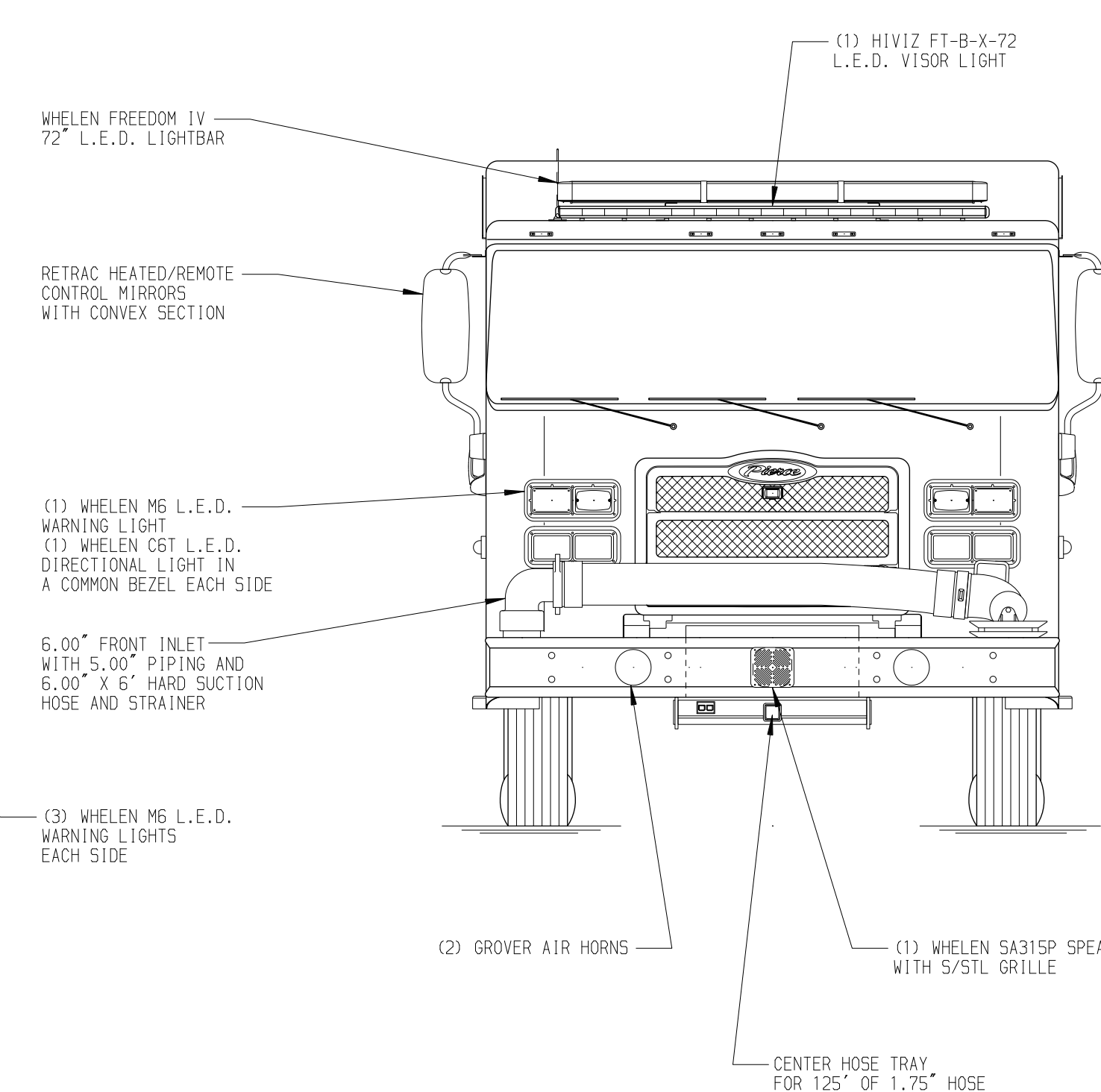
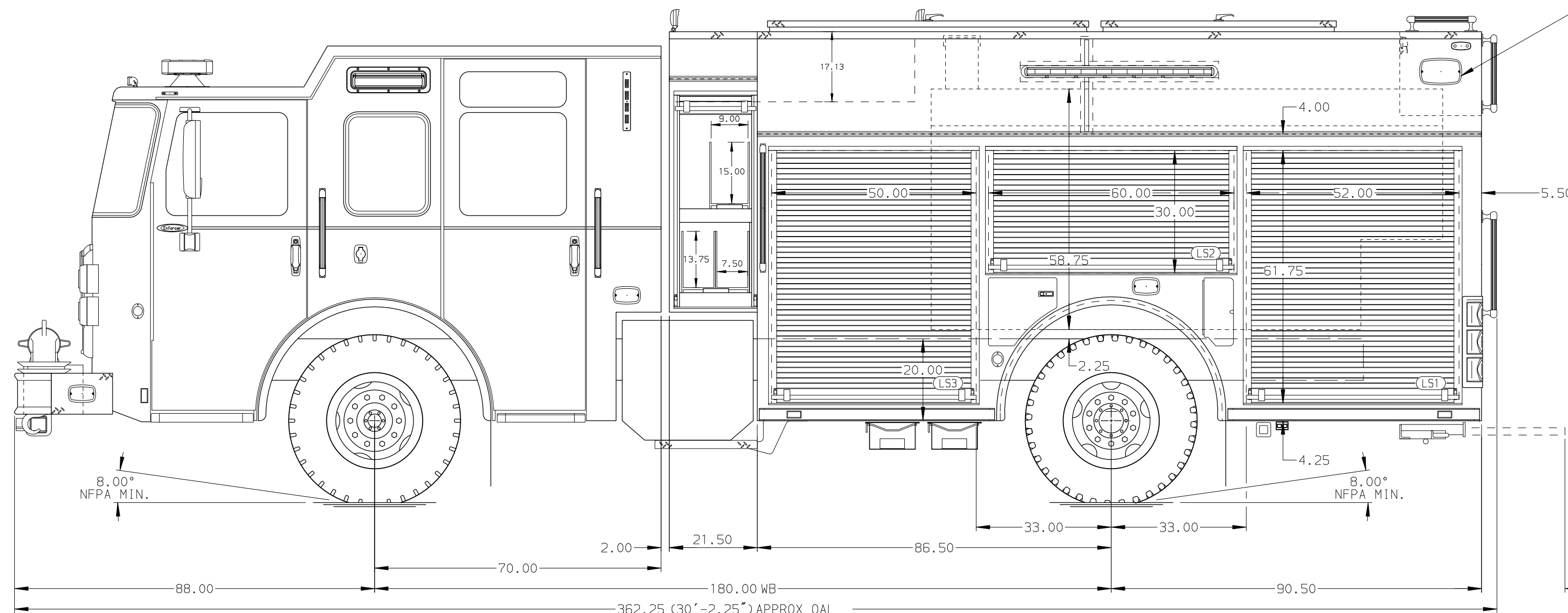
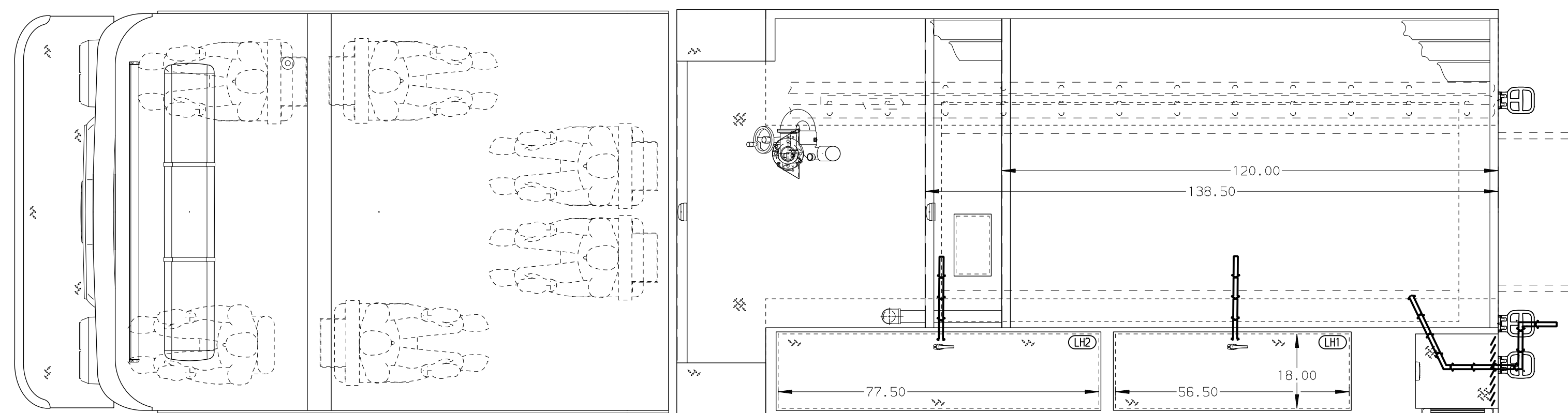
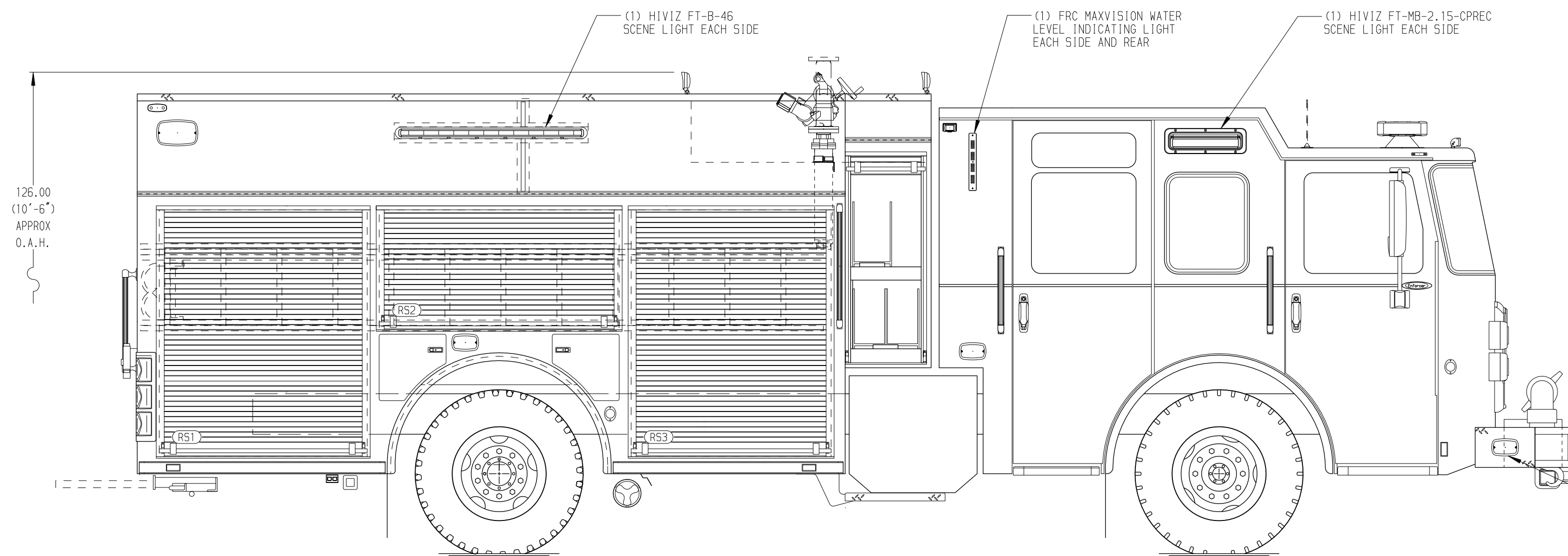
30 Gallon Foam Cell, Not Reduced Water, PUC

Side Roll and Frontal Impact Protection

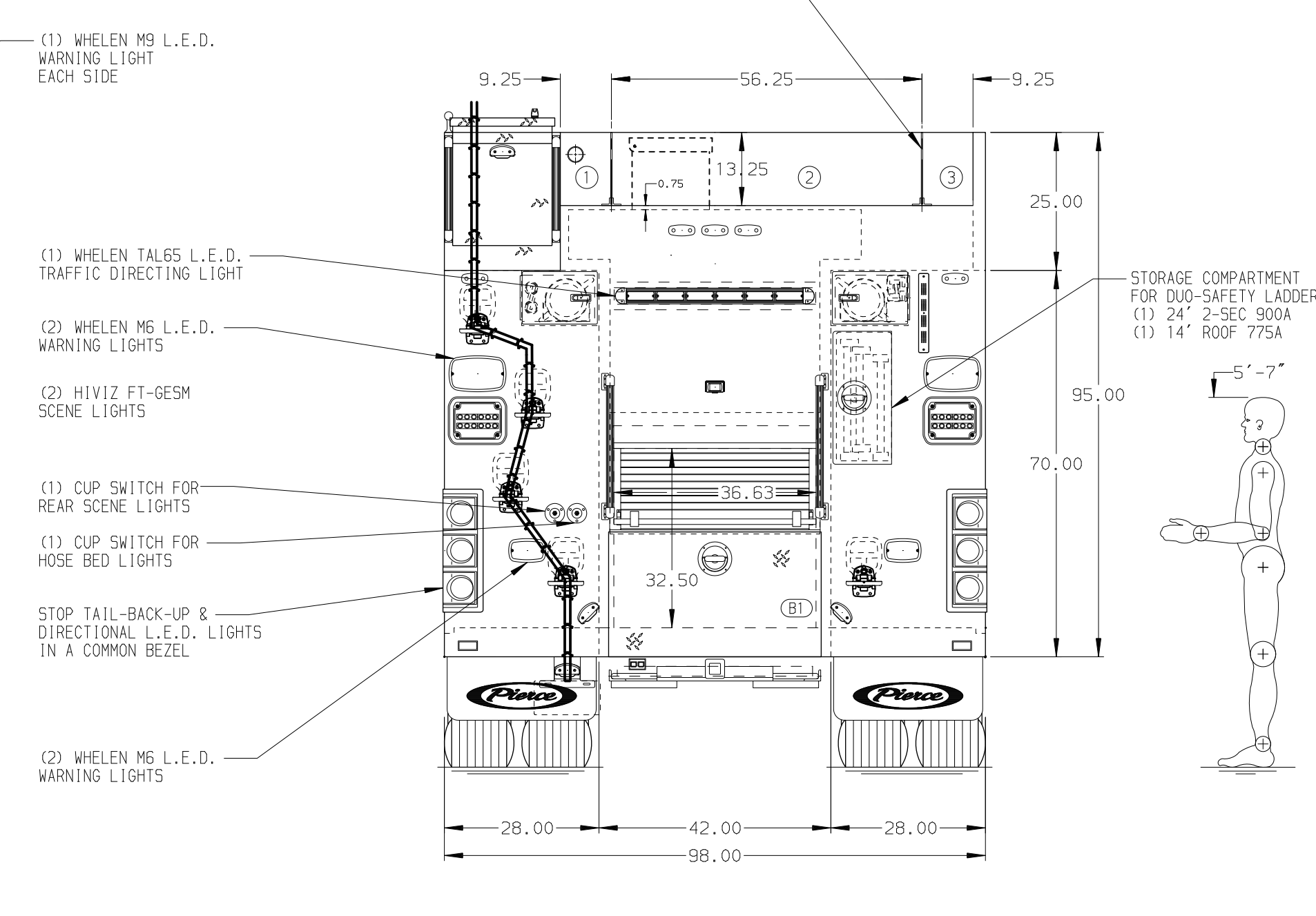
NOTE

DIMENSIONS SHOWN ARE APPROXIMATE AND ARE SUBJECT TO MINOR DEVIATIONS AS MAY OCCUR OR BE NECESSARY IN CONSTRUCTION. MINOR DETAILS NOT SHOWN.

- ONE 1.50" OUTLET WITH 2.00" PIPING AND SWIVEL LOCATED IN CENTER BUMPER TRAY OF THE CAB
- SHORELINE RECEPTACLE WITH KUSSMAUL SUPER AUTO-EJECT LOCATED ON DRIVER SIDE OF THE CAB
- AIR INLET WITH DISCONNECT COUPLING IN THE DRIVER SIDE STEPWELL
- BATTERY CHARGER LOCATED IN COMPARTMENT PER SHOP ORDER
- BATTERY CHARGE INDICATOR LOCATED ON THE DRIVER SIDE SEAT RISER
- FOUR ADJUSTABLE SHELVES LOCATED PER ORDER
- ONE FLOOR MOUNTED SLIDE-OUT TRAY LOCATED PER ORDER
- THREE SWING-OUT TOOLBOARDS LOCATED PER SHOP ORDER



HOSEBED CAPACITY	
BED 1	200' OF 2.50" D.J. POLY HOSE
BED 2	1000' OF 5.00" D.J. POLY HOSE
BED 3	200' OF 2.50" D.J. POLY HOSE



MAXIMUM O.A.L. - 367.50"

CUSTOMER APPROVAL

APPROVED BY: _____
DATE: _____



JOB NO. 38476

SCALE 1:24 DATE

CHASSIS DATA	TITLE	Pierce Pumper Approval Drawing
MAKE	FOR	Webbs Mills Fire District # 4
PIERCE	DWG NO.	38476AD
MODEL	SHEET NO.	D
ENFORCER		1 OF 1

DRAWN BY	MMF	13SEP22
CHECKED BY	COL	13SEP22
SHEET SIZE		