

**PUMPER  
BODY**

Medium Aluminum 2nd Gen Pumper

**CHASSIS**

Sober FR Chassis

**CHASSIS  
AXLE, FRONT, CUSTOM**

18,000 Lb Dana Axle

**AXLE, REAR**

24,000 Lb Dana Axle

**ENGINE**

450 HP Cummins L9 Engine

**TRANSMISSION**

Allison 5th Gen, 3000 EVS P

**BUMPER**

19" Extended Painted Steel

**CAB**

6000 Sober FR Cab

**BODY**

**WATER TANK**

750 Gallon New York Style Water Tank

**COMPT, PUMPER, REAR**

30.75" FF RollUp Rear Compt

**COMPT, PUMPER, LEFT SIDE**

152" RollUp Full Height Front & Rear FDLR

**COMPT, PUMPER, RIGHT SIDE**

152" RollUp Full Height Front & Rear FDLR

**FIRE SUPPRESSION  
PUMPHOUSE**

45" Control Zone Side Mount

**PUMP**

1500 GPM Waterous CXC20

**CROSSLAYS, 1.50"**

(3) 1.50" Standard Capacity

**CROSSLAYS, 2.50"**

2.50" Crosslay Not Required

**SPEEDLAYS**

SpeedLays Not Required

**GENERATOR**

Generator Not Required

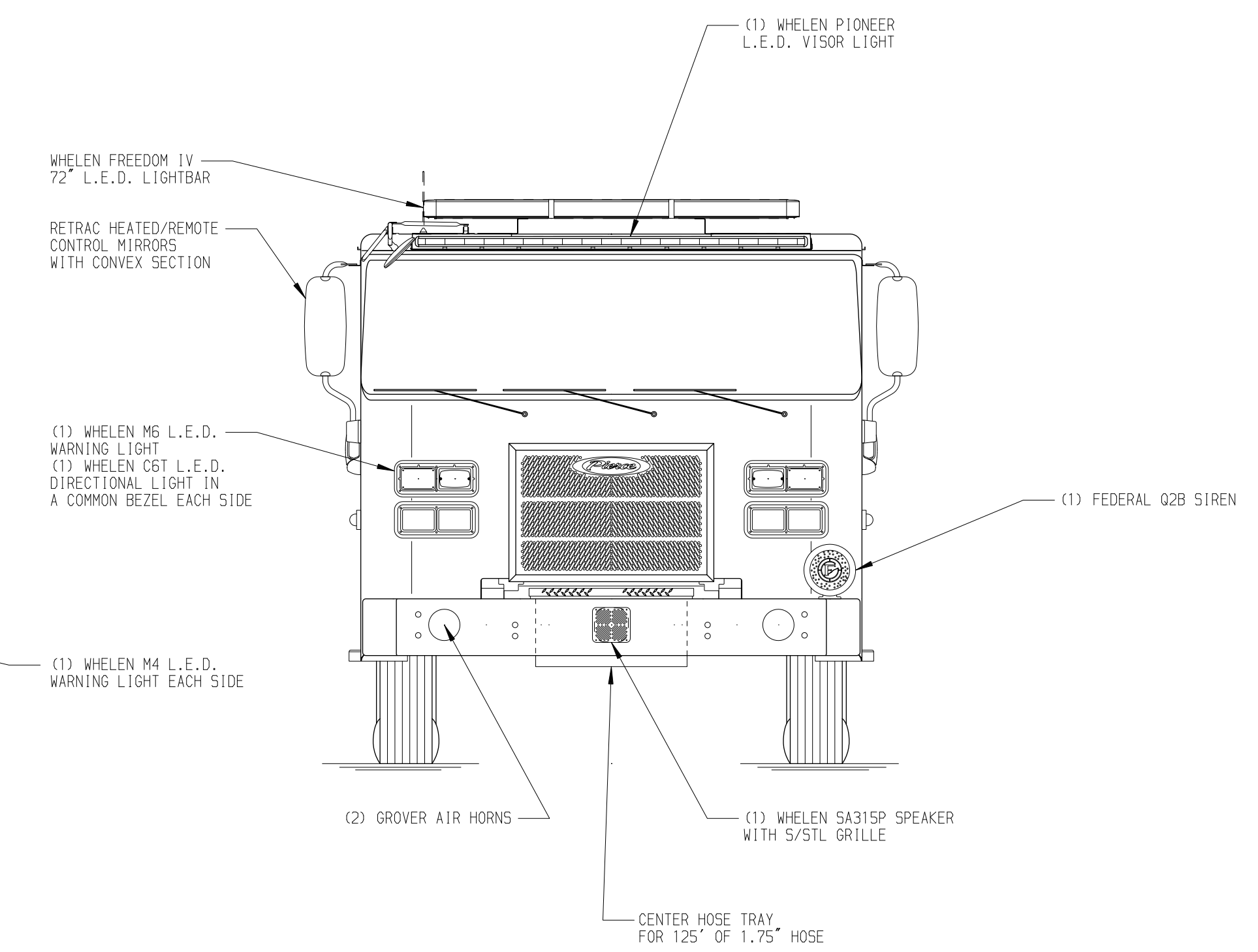
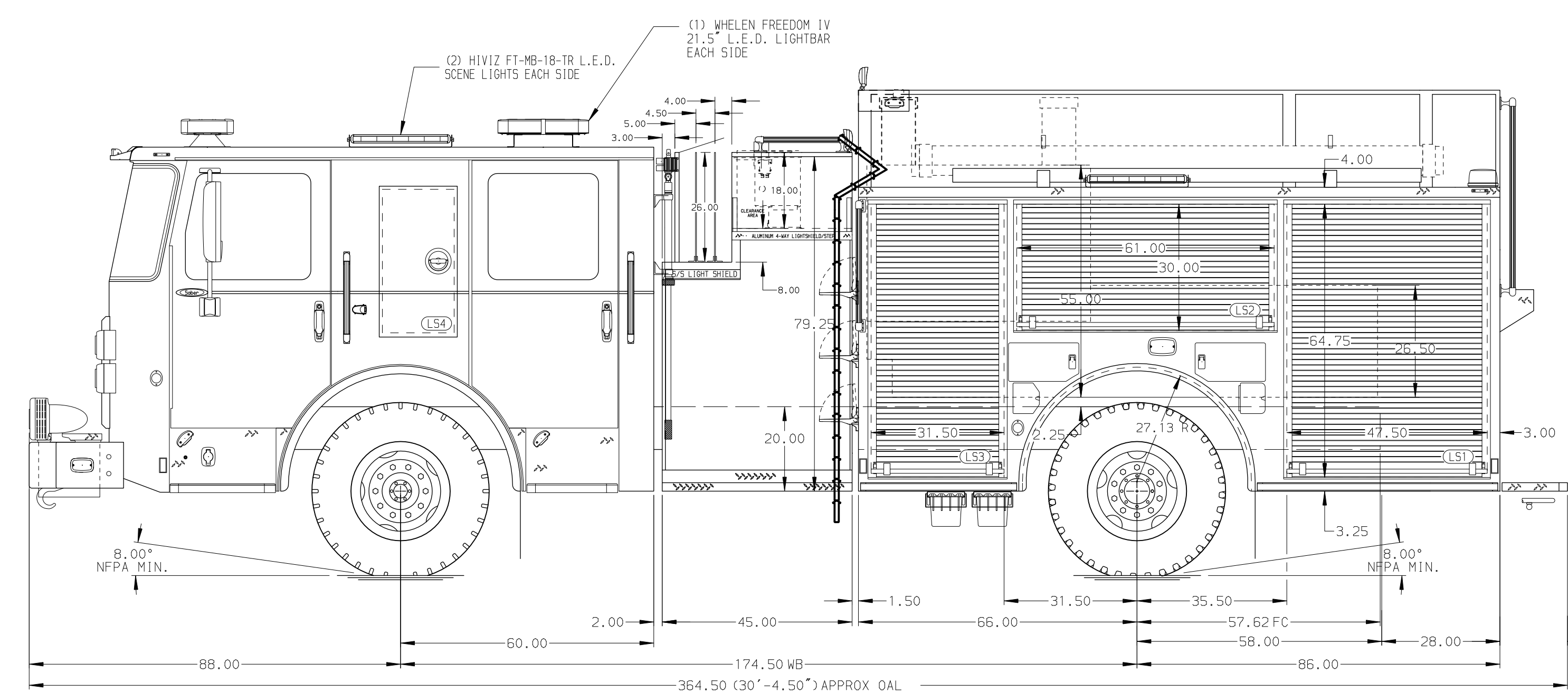
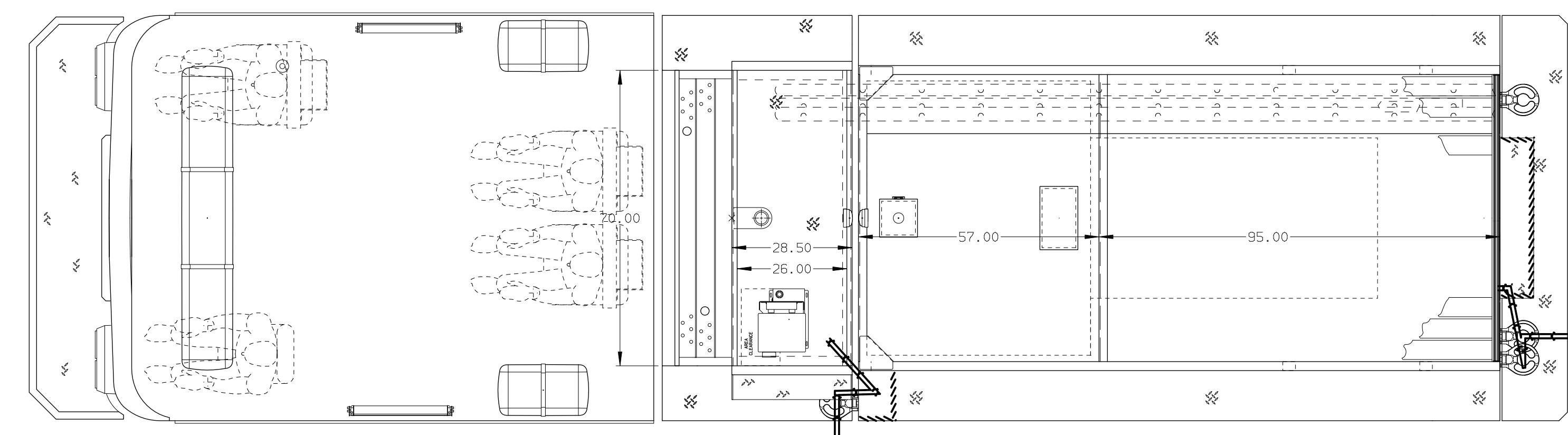
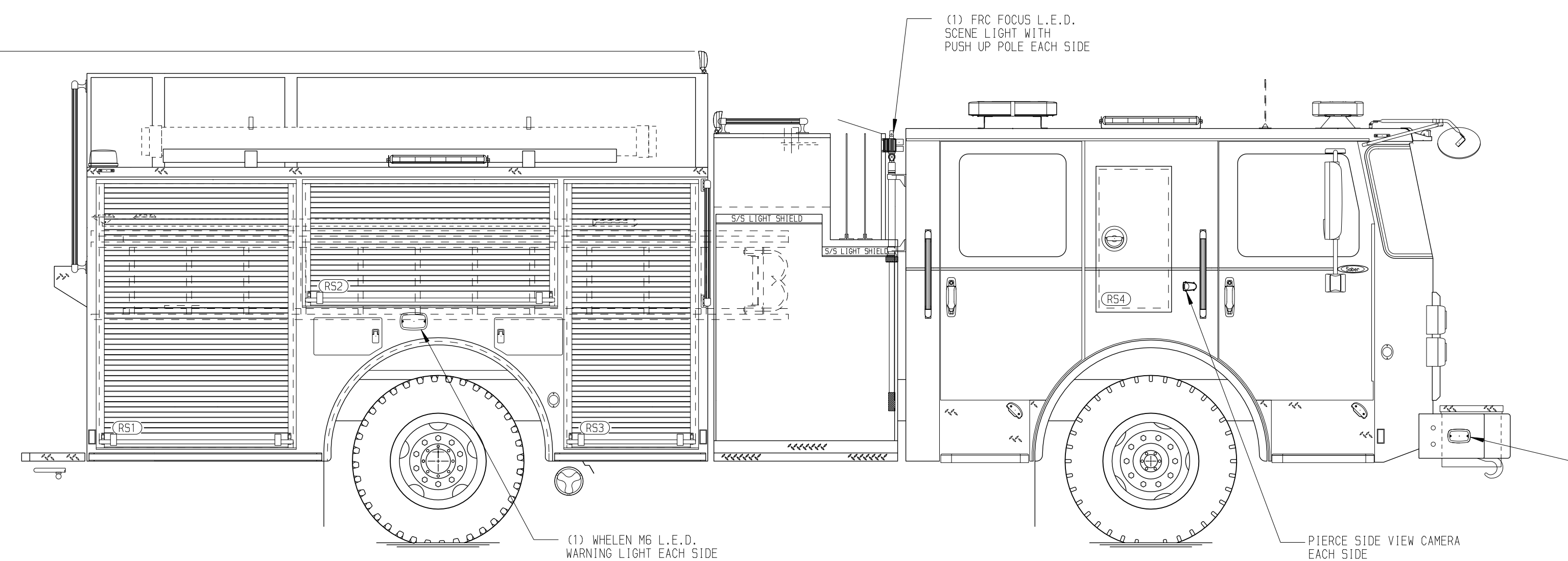
**Foam System**

Husky 3 Single Agent Foam System

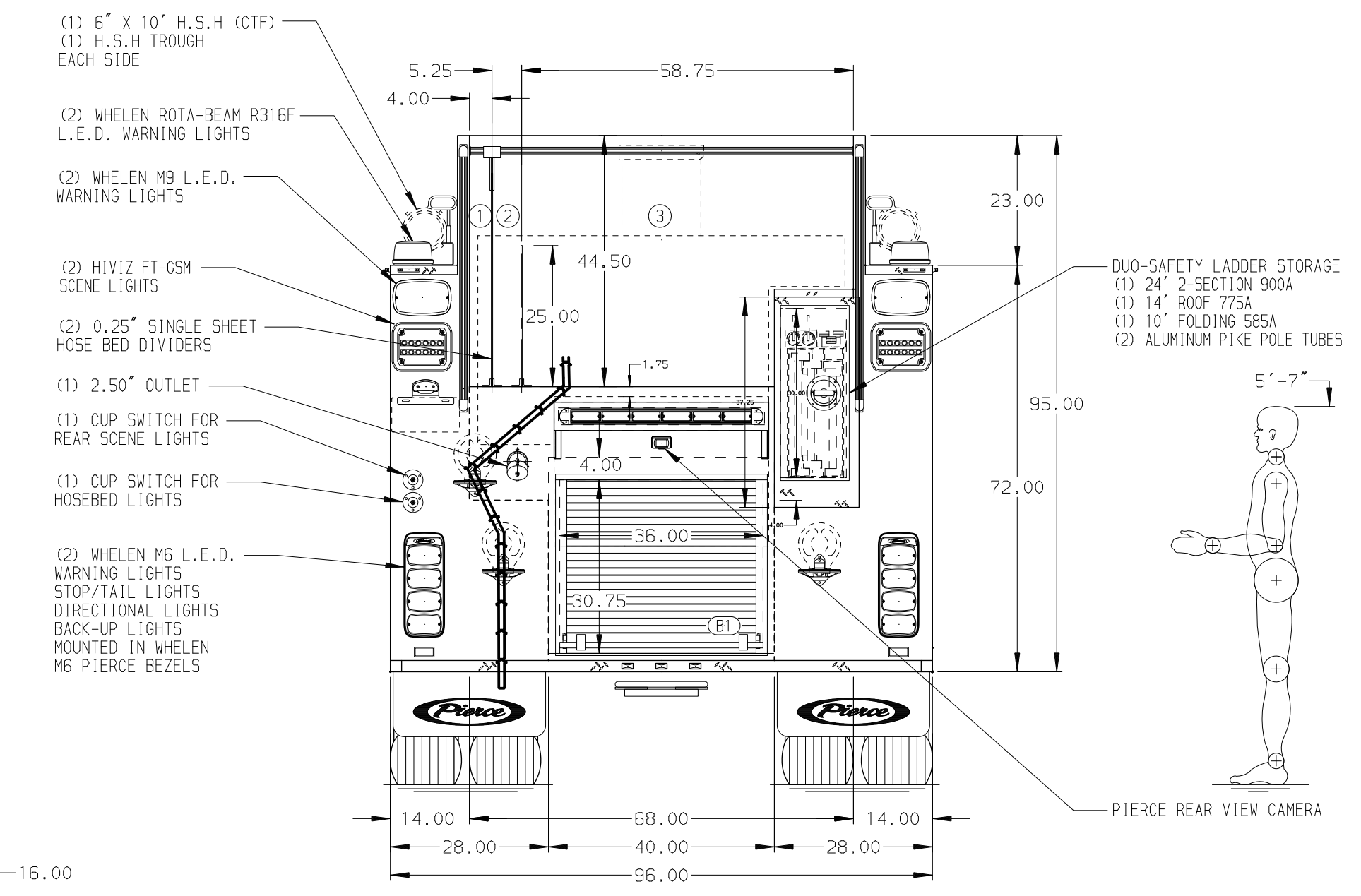
**Foam Cell**

20 Gallon Foam Cell, Reduced Water

126.00  
(10'-6")  
APPROX  
O.A.H.



HOSEBED CAPACITY	
<b>BED 1</b>	400' OF 1.75" D.J. POLY HOSE
<b>BED 2</b>	200' OF 2.50" D.J. POLY HOSE
<b>BED 3</b>	1300' OF 4.00" D.J. POLY HOSE



**NOTE**  
DIMENSIONS SHOWN ARE APPROXIMATE AND ARE SUBJECT TO MINOR DEVIATIONS AS MAY OCCUR OR BE NECESSARY IN CONSTRUCTION. MINOR DETAILS NOT SHOWN.

**CUSTOMER APPROVAL**

APPROVED BY: \_\_\_\_\_  
DATE: \_\_\_\_\_

CHASSIS DATA	TITLE	Pierce Pumper Approval Drawing
MAKE	FOR	Peters Township Fire Department
PIERCE		
MODEL	DWG NO.	38489AD
REV	DATE	BY
CH		



JOB NO.	38489
SCALE	1:24
DATE	
DRAWN BY	MMF
CHECKED BY	COL
SHEET SIZE	D
SHEET NO.	1 OF 1