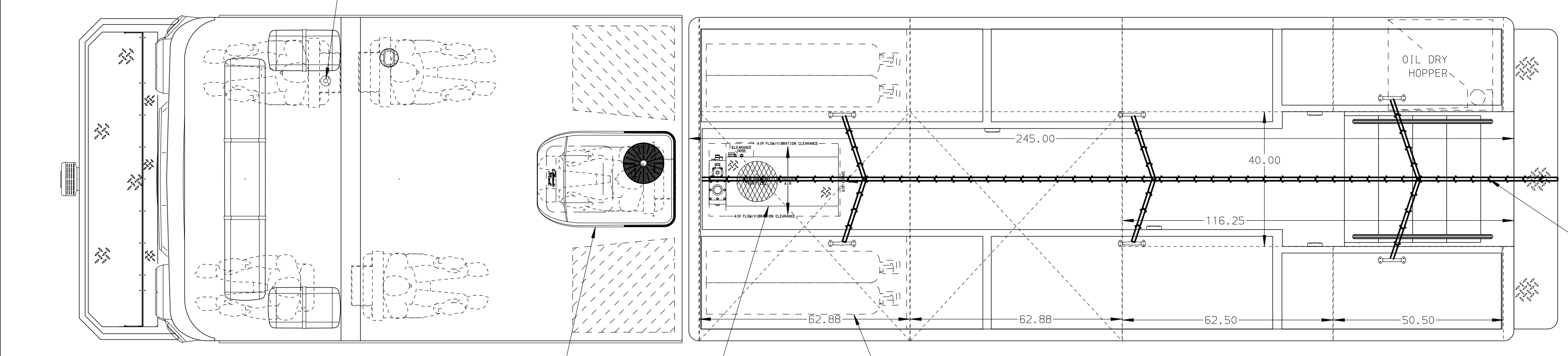
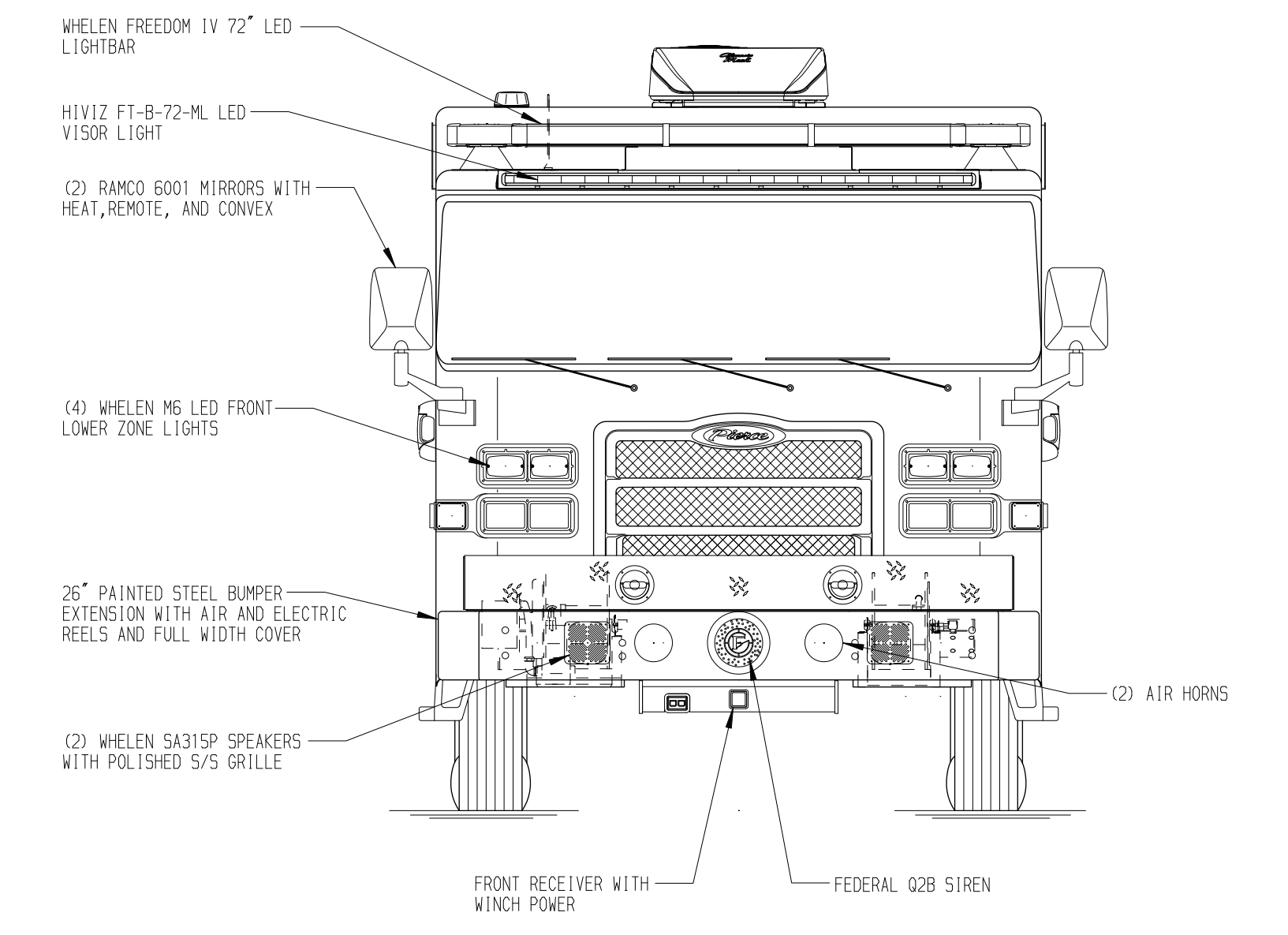
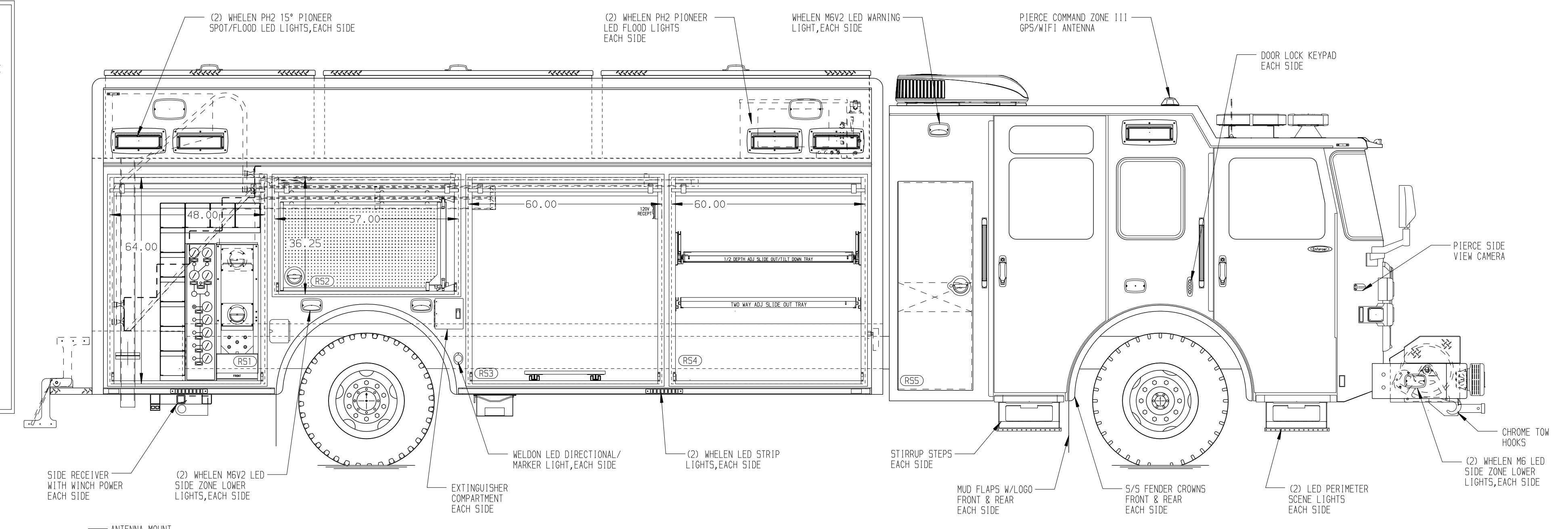
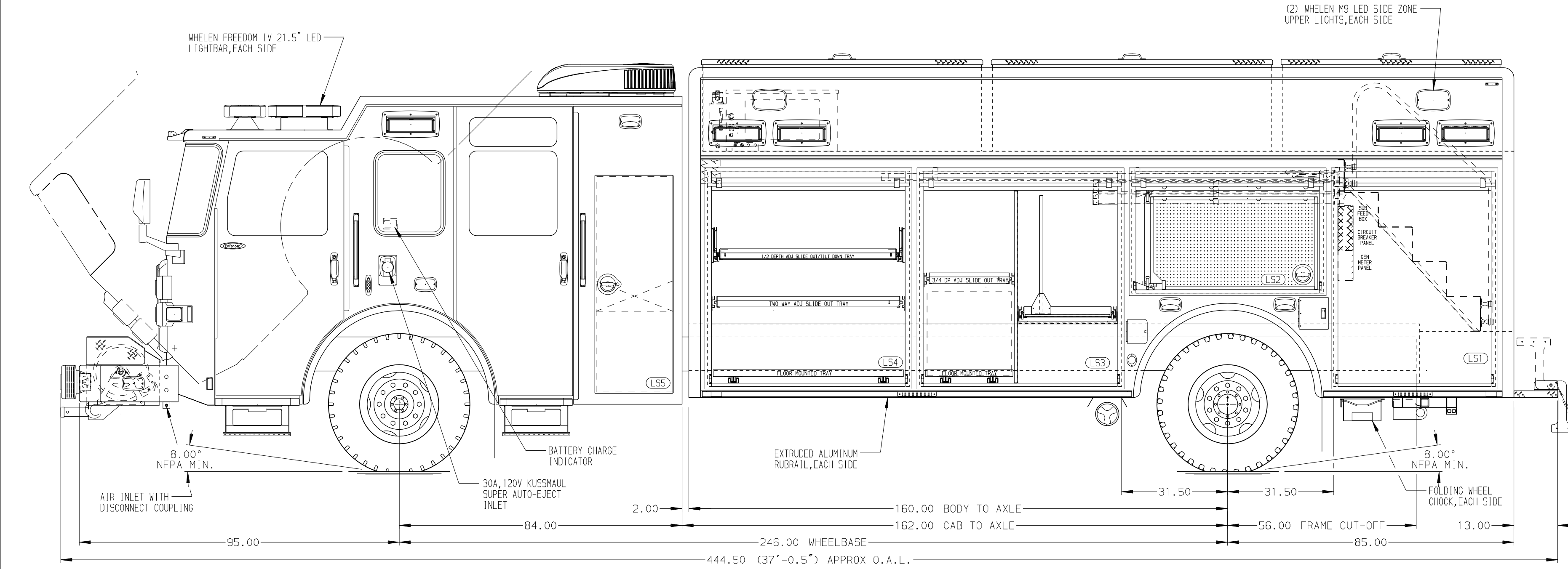


- RIGHT SIDE COMPARTMENTS CONTAIN THE FOLLOWING:**
- COMPARTMENT RS1 CONTAINS:
 - (1) "SPACE SAVER" 2-BOTTLE FILL ENCLOSURE
 - (1) CASCADE SYSTEM CONTROL PANEL
 - (1) RACK FOR 10 SCBA BOTTLES
 - (1) OIL DRY HOPPER
- COMPARTMENT RS2 CONTAINS:
 - (1) SWING OUT TOOLBOARD
- COMPARTMENT RS3 CONTAINS:
 - (1) VERTICAL REAR WALL DIVIDER
 - (1) STD DEPTH FLAT TOP FLOOR TRAY
 - (1) 15/20A, 120V DUPLEX RECEPTACLE
- COMPARTMENT RS4 CONTAINS:
 - (1) CAB LIFT CONTROLLER
 - (1) 1/2 DEPTH ADJ SLIDE OUT/TILT TRAY
 - (1) 2-WAY ADJ SLIDE OUT TRAY
- COMPARTMENT RS5 CONTAINS:
 -

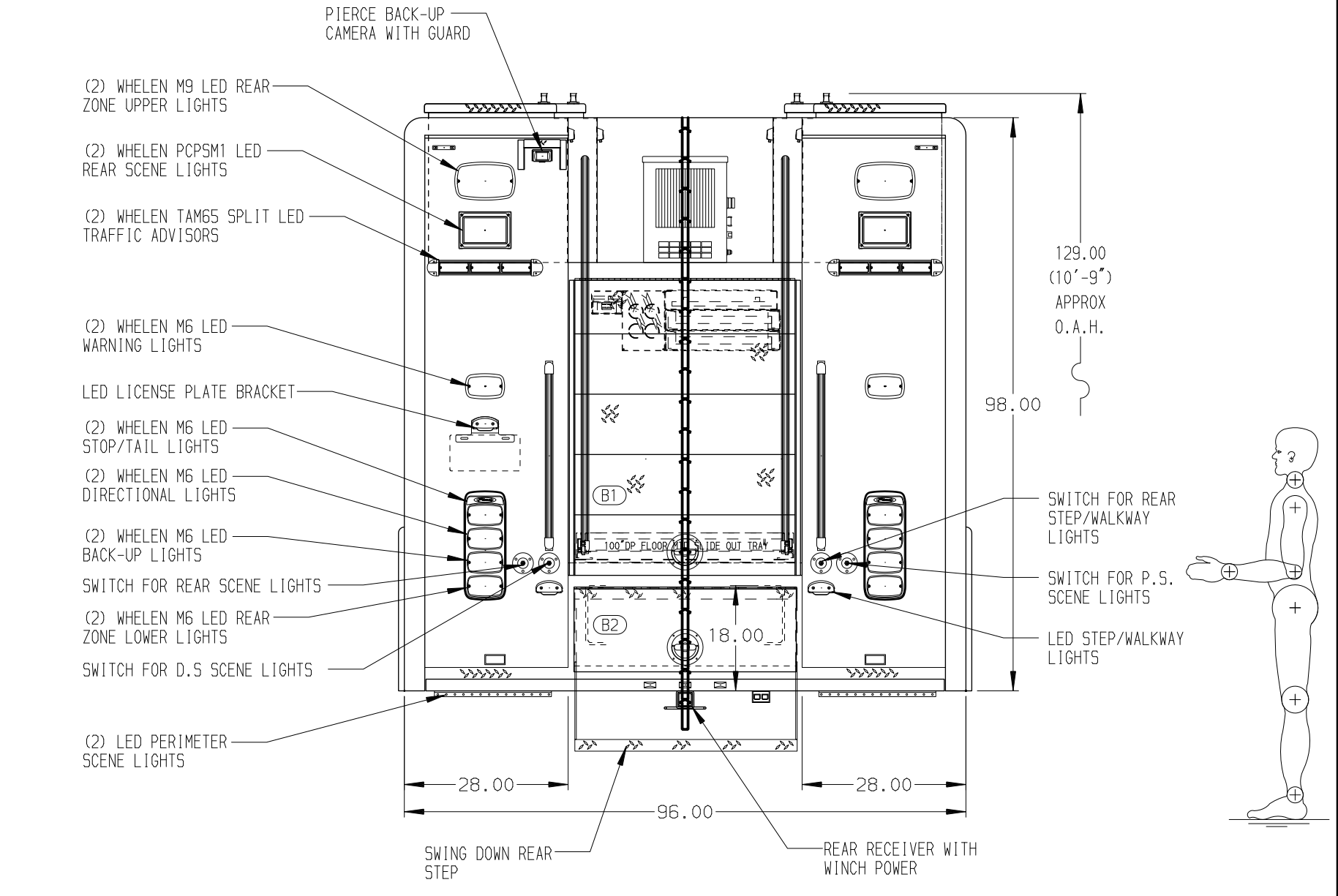


- REAR COMPARTMENT CONTAINS THE FOLLOWING:**
- COMPARTMENT B1 CONTAINS:
 - (1) RACK FOR THE FOLLOWING:
 - (1) 10' FOLDING LADDER
 - (4) PIKE POLES
 - (2) 6' ROOF LADDERS
 - (1) BACKBOARD
 - (1) 100\"/>

COMPARTMENT B1 CONTAINS:
 -



- LEFT SIDE COMPARTMENTS CONTAIN THE FOLLOWING:**
- COMPARTMENT LS1 CONTAINS:
 - (1) CIRCUIT BREAKER PANEL
 - (2) SUB FEED BOXES
 - (1) GENERATOR METER PANEL
- COMPARTMENT LS2 CONTAINS:
 - (1) SWING OUT TOOLBOARD
- COMPARTMENT LS3 CONTAINS:
 - (1) HORIZONTAL FLOOR EXTENSION
 - (1) FLOOR MOUNTED TRAY
 - (1) 3/4 DEPTH FLOOR MOUNTED SLIDE OUT TRAY WITH TOOLBOARD
 - (1) 3/4 DEPTH ADJ SLIDE OUT TRAY
 - (1) VERTICAL COMPARTMENT DIVIDER
- COMPARTMENT LS4 CONTAINS:
 - (1) 10TA 75 AMP CHARGER
 - (1) 1/2 DEPTH ADJ SLIDE OUT/TILT TRAY
 - (1) FLOOR MOUNTED TRAY
 - (1) 2-WAY ADJ SLIDE OUT TRAY
- COMPARTMENT LS5 CONTAINS:
 -



NOTE
 DIMENSIONS SHOWN ARE APPROXIMATE AND ARE SUBJECT TO MINOR DEVIATIONS AS MAY OCCUR OR BE NECESSARY IN CONSTRUCTION. MINOR DETAILS NOT SHOWN.

- NOTES:**
- POLISHED 5/5 SCUFFPLATES ON CAB AND CREW CAB DOOR JAMBS
 - FLOOR IN CAB AND CREW CAB TO BE PADDED RUBBER
 - ELASTIC PULL STRAPS ON ALL BODY ROLL-UP DOORS
 - PIERCE LED LIGHT STRIPS IN ALL BODY AND HATCH COMPARTMENTS
 - (4) 15/20A, 120V DUPLEX RECEPTACLES IN CAB

(SIDE ROLL AND FRONTAL IMPACT PROTECTION)

CLEAR DOOR WIDTH KEY				CHASSIS DATA	TITLE	TITLE
AMOR ROLL UP DOORS:	-2 1/4"			EN8410	HEAVY DUTY RESCUE NON-WALKIN	JOB NO. 38513
GORITTE ROLL UP DOORS:	-2 1/2"	27JUN23	DHE AZU	DATE		SCALE 1:24 DATE
PIERCE DOUBLE LAP DOORS:	-4 1/4"	22MAR23	DHE AZU	MAKE	PIERCE	DRAWN BY DHE 30NOV22
PIERCE LIFT-UP LAP DOORS:	-1 1/2"	06JAN23	DHE AZU	MODEL	FOR PALM HARBOR FIRE RESCUE BID #852	CHECKED BY AZU 01DEC22
(EX: 60" F-F - 2 1/4" = 57 3/4" CLEAR)		REV	DATE	BY	CH	SHEET SIZE SHEET NO. D 1 OF 1

Pierce MANUFACTURING INC.

DUSTIN BOUWER

38513AD

JOB NO. 38513
 SCALE 1:24 DATE
 DRAWN BY DHE 30NOV22
 CHECKED BY AZU 01DEC22
 SHEET SIZE SHEET NO. D 1 OF 1