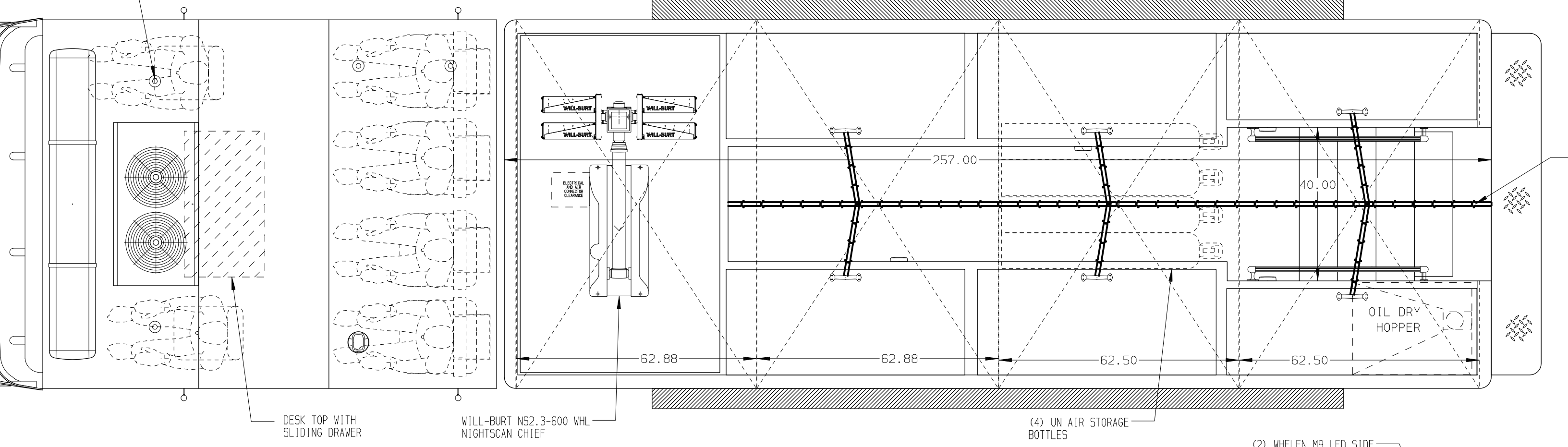
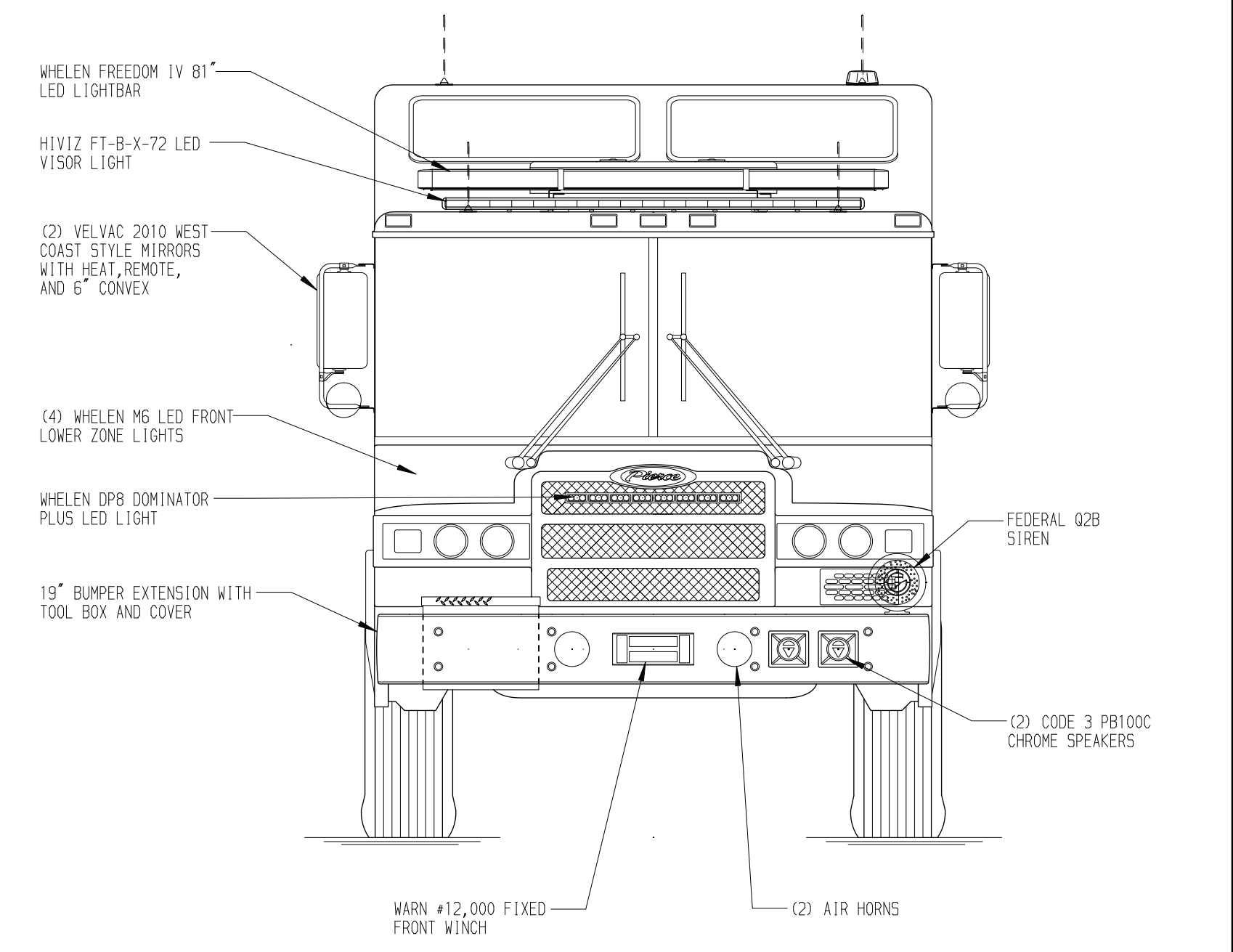
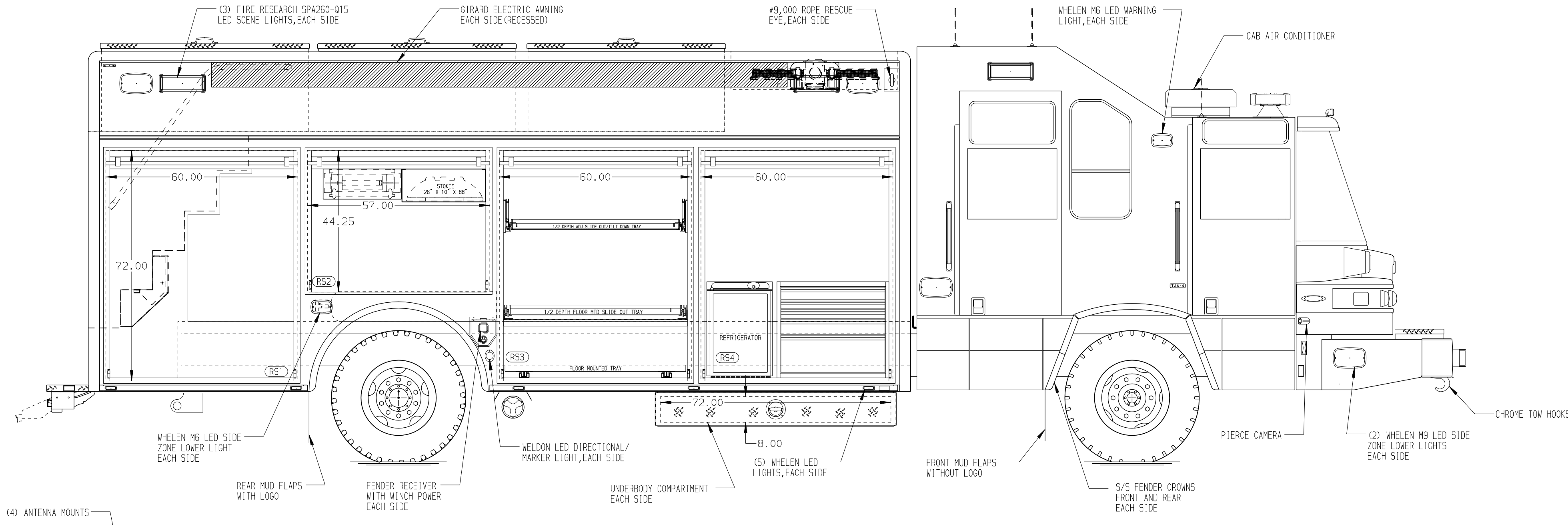
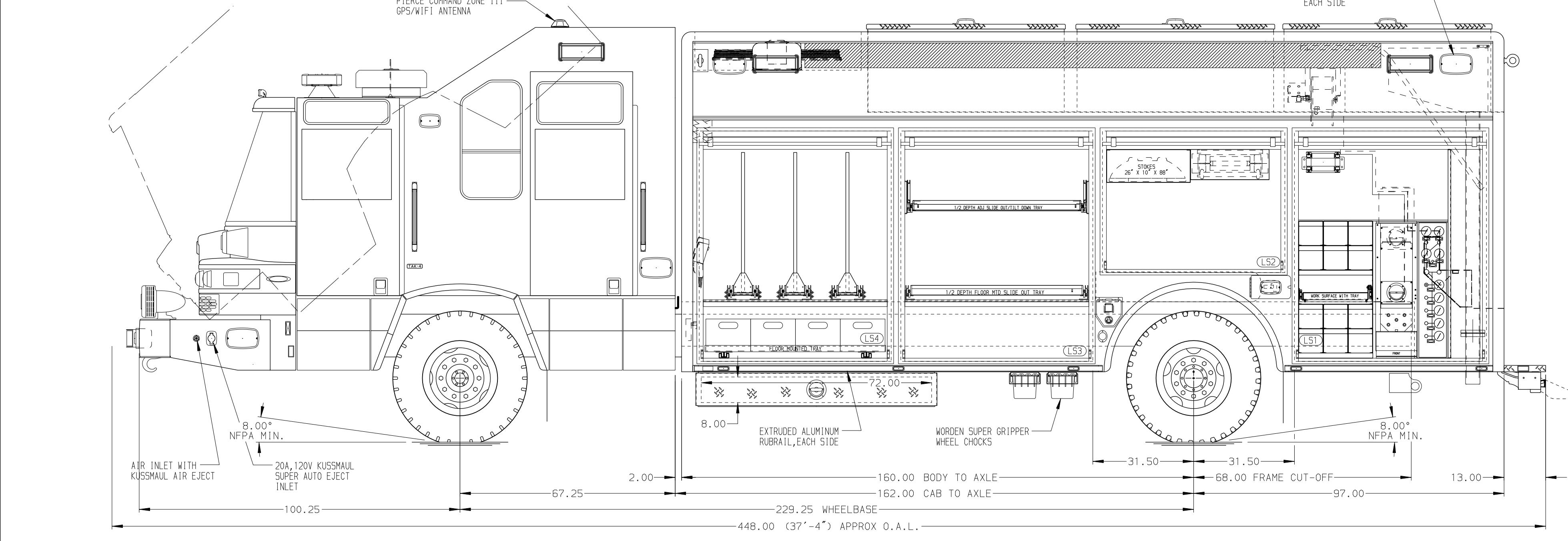


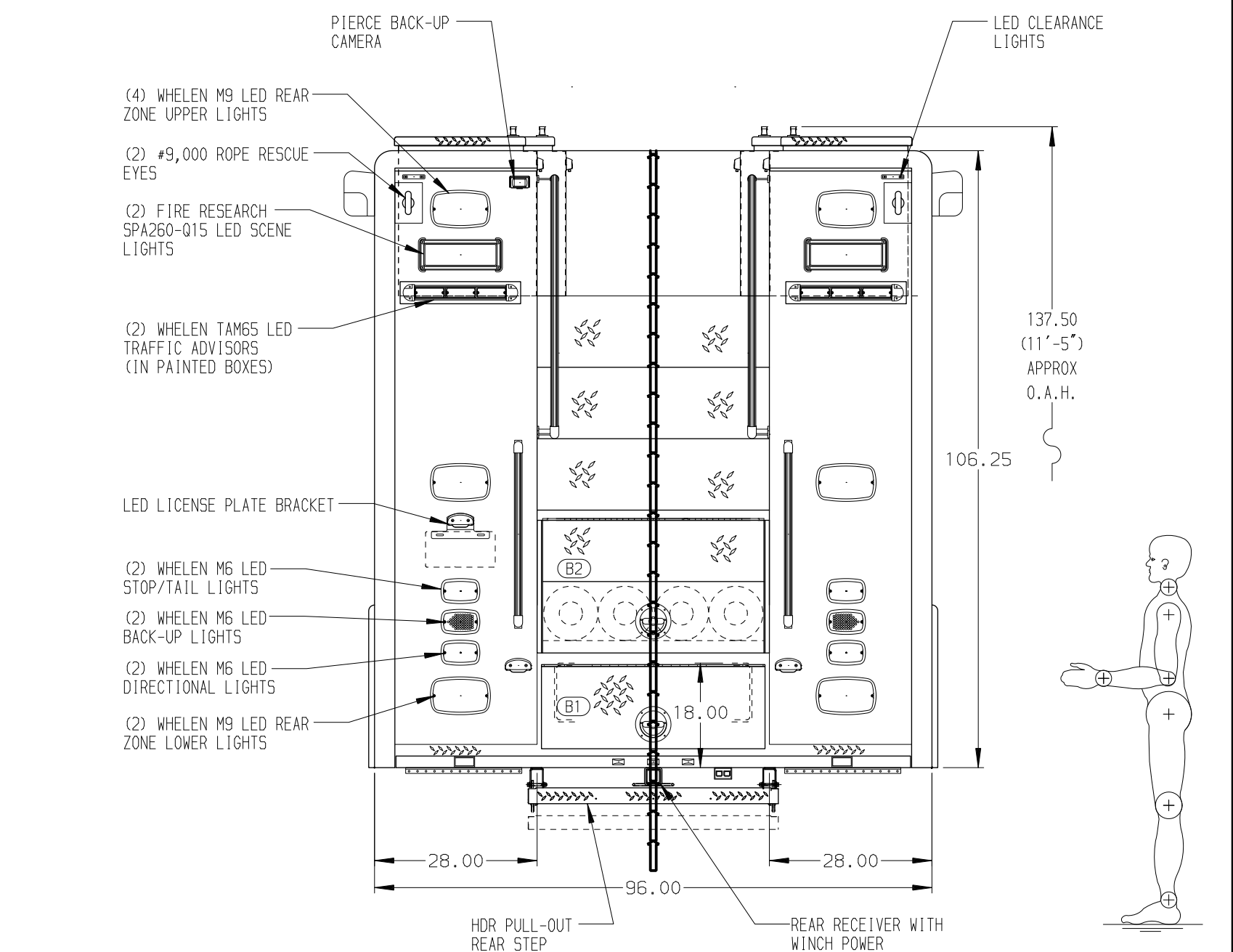
- RIGHT SIDE COMPARTMENTS CONTAIN THE FOLLOWING:**
- COMPARTMENT R51 CONTAINS:
 - (1) STOKES BASKET RACK
 - (1) RACK FOR LITTLE GIANT LADDER
 - COMPARTMENT R52 CONTAINS:
 - (1) 1/2 DEPTH ADJ SLIDE OUT/TILT TRAY
 - (1) FLOOR MOUNTED TRAY
 - (1) HORIZONTAL FLOOR EXTENSION
 - (1) 1/2 DEPTH FLOOR MTD SLIDE OUT TRAY
 - COMPARTMENT R53 CONTAINS:
 - (1) S-DRAWER C-TECH CABINET
 - (1) NORCOLD 3.1 CU.FT REFRIGERATOR



- REAR COMPARTMENT CONTAINS THE FOLLOWING:**
- COMPARTMENT B1 CONTAINS:
 - (1) OIL DRY HOPPER
 - (2) RACKS FOR 12 SCBA BOTTLES
 - (1) VERTICAL COMPARTMENT DIVIDERS
 - (1) CASCADE SYSTEM CONTROL PANEL
 - (1) SPACESAVER 2-BOTTLE FILL ENCLOSURE
 - (1) .38" FLAT TOP SHELF
 - (1) TOOL AIR REEL W/150' OF HOSE
 - (1) SLIDE OUT WORK SURFACE WITH TRAY
 - COMPARTMENT B2 CONTAINS:



- LEFT SIDE COMPARTMENTS CONTAIN THE FOLLOWING:**
- COMPARTMENT L51 CONTAINS:
 - (1) OIL DRY HOPPER
 - (2) RACKS FOR 12 SCBA BOTTLES
 - (1) VERTICAL COMPARTMENT DIVIDERS
 - (1) CASCADE SYSTEM CONTROL PANEL
 - (1) SPACESAVER 2-BOTTLE FILL ENCLOSURE
 - (1) .38" FLAT TOP SHELF
 - (1) TOOL AIR REEL W/150' OF HOSE
 - (1) SLIDE OUT WORK SURFACE WITH TRAY
 - COMPARTMENT L52 CONTAINS:
 - (1) STOKES BASKET RACK
 - (1) RACK FOR LITTLE GIANT LADDER
 - COMPARTMENT L53 CONTAINS:
 - (1) 1/2 DEPTH ADJ SLIDE OUT/TILT TRAY
 - (1) HORIZONTAL FLOOR EXTENSION
 - (1) 1/2 DEPTH FLOOR MTD SLIDE OUT TRAY
 - COMPARTMENT L54 CONTAINS:
 - (1) NEUMAR 35A BATTERY CHARGER
 - (1) HORIZONTAL FLOOR EXTENSION
 - (1) FLOOR MOUNTED TRAY
 - (3) 3/4 DEPTH ADJ SLIDE OUT TOOLBOARDS
 - (4) POLY TOOL BOXES
 - (1) CAB LIFT CONTROLLER
 - (1) NIGHTSCAN CONTROLLER



NOTE
DIMENSIONS SHOWN ARE APPROXIMATE AND ARE SUBJECT TO MINOR DEVIATIONS AS MAY OCCUR OR BE NECESSARY IN CONSTRUCTION. MINOR DETAILS NOT SHOWN.

- NOTES:**
- POLISHED S/S SCUFFPLATES ON CAB AND CREW CAB DOOR JAMBS
 - FLOOR IN CAB AND CREW CAB TO BE RUBBER MATTING
 - BATTERY CHARGE INDICATOR LOCATED ON DRIVER'S SEAT RISER
 - ELASTIC PULL-STRAPS ON ALL BODY ROLL-UP DOORS
 - PIERCE LED STRIP LIGHTS IN ALL BODY AND HATCH COMPARTMENTS

SIDE ROLL AND FRONTAL IMPACT PROTECTION

CLEAR DOOR WIDTH KEY		REV	DATE	BY	CH	CHASSIS DATA
AMDR ROLL UP DOORS:	-2 1/4"	21MAR24	DHE	CDK		TITLE
CORTILE ROLL UP DOORS:	-2 1/2"	18DEC23	DHE	CDK		HEAVY DUTY RESCUE NON-WALK-IN
PIERCE DOUBLE LAP DOORS:	-4 1/4"	29SEP23	DHE	CDK		FOR
PIERCE LIFT-UP LAP DOORS:	-1 1/2"	19JUL23	DHE	AZU		HOLLAND TOWNSHIP FIRE DEPARTMENT
(EX: 60" F-F - 2 1/4" = 57 3/4" CLEAR)						BID #1097
(F-F) = FRAME TO FRAME						PAT WRIGHT
						DWG NO.
						38525AD
						SHEET NO.
						1 OF 1

Pierce MANUFACTURING INC.

JOB NO. 38525

SCALE 1:24 DATE

DRAWN BY DHE 05MAY23

CHECKED BY AZU 08MAY23

SHEET SIZE D SHEET NO. 1 OF 1