

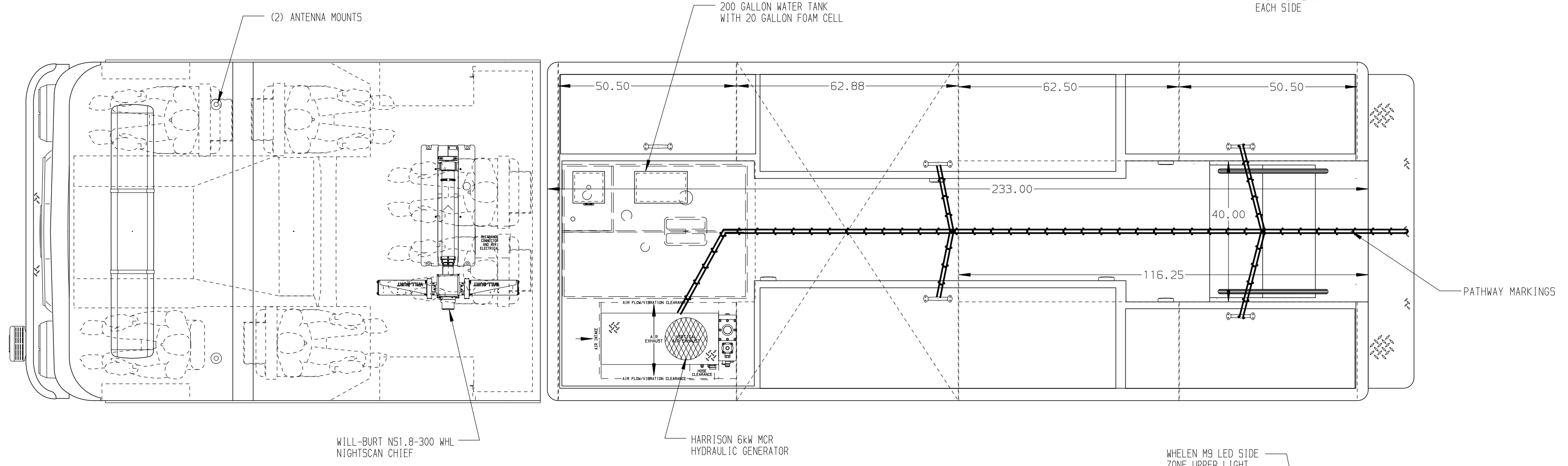
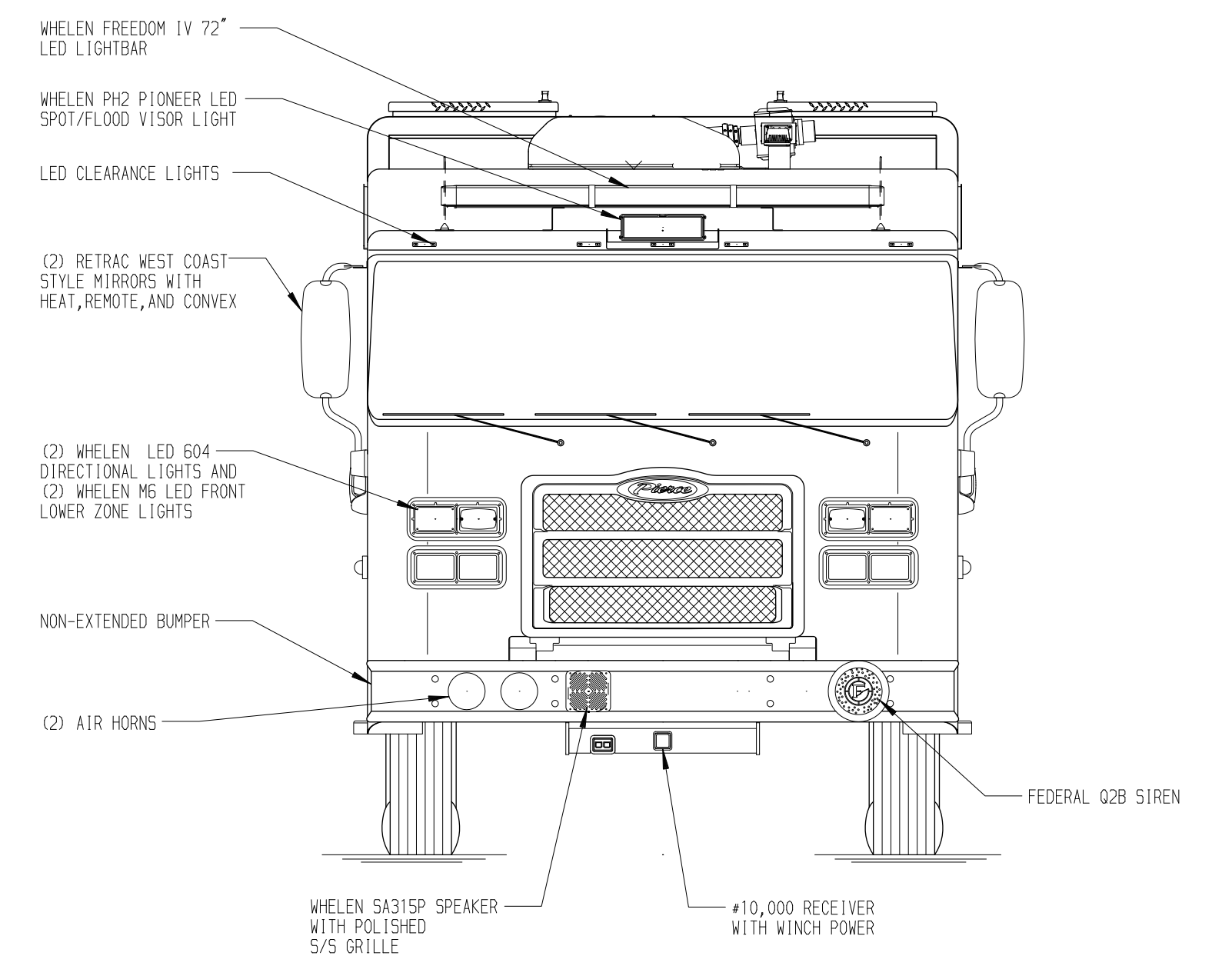
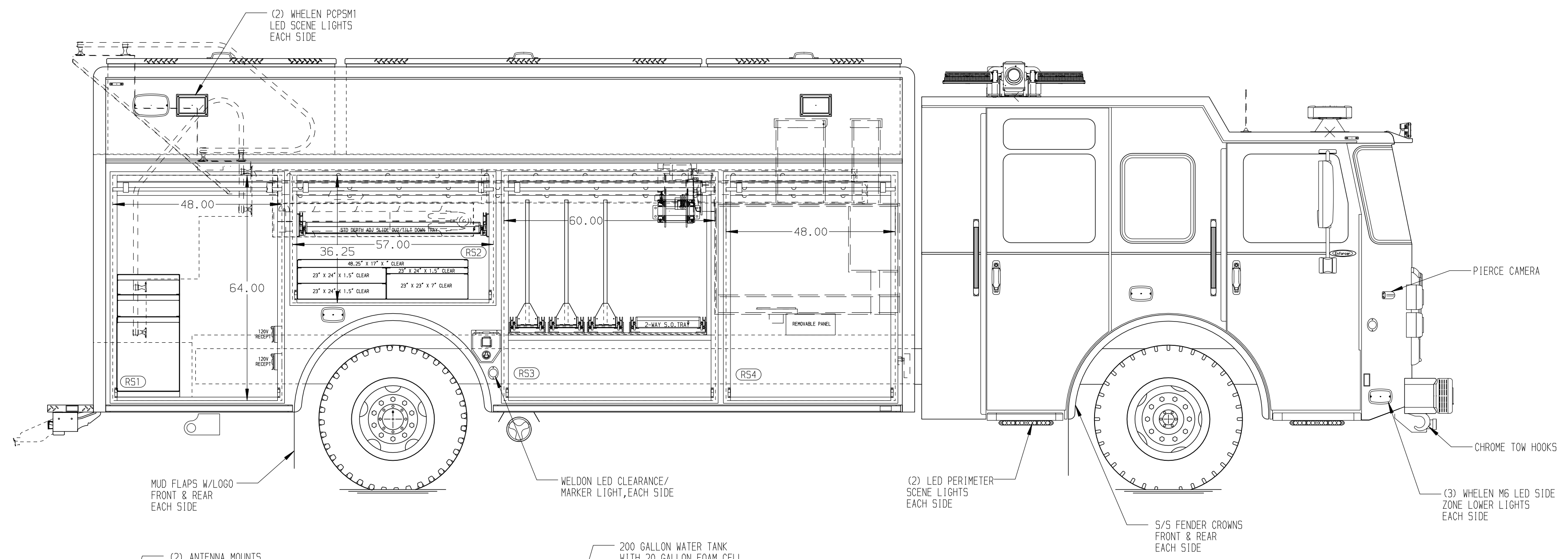
**RIGHT SIDE COMPARTMENTS CONTAIN THE FOLLOWING:**

COMPARTMENT R51 CONTAINS:  
 - (1) 3-SECTION CRIBBING RACK  
 - (2) 15/20A, 120V DUPLEX RECEPTACLES

COMPARTMENT R52 CONTAINS:  
 - (1) STD DEPTH ADJ SLIDE OUT/TILT TRAY  
 - (1) RACK FOR 5 AIR BAGS

COMPARTMENT R53 CONTAINS:  
 - (1) ELECTRIC CORD REEL WITH 100' OF 10/3 YELLOW CORD  
 - (1) 2-WAY FLOOR MTD SLIDE OUT TRAY  
 - (3) 2-WAY FLOOR MTD SLIDE OUT TOOLBOARDS  
 - (1) HORIZONTAL FLOOR EXTENSION

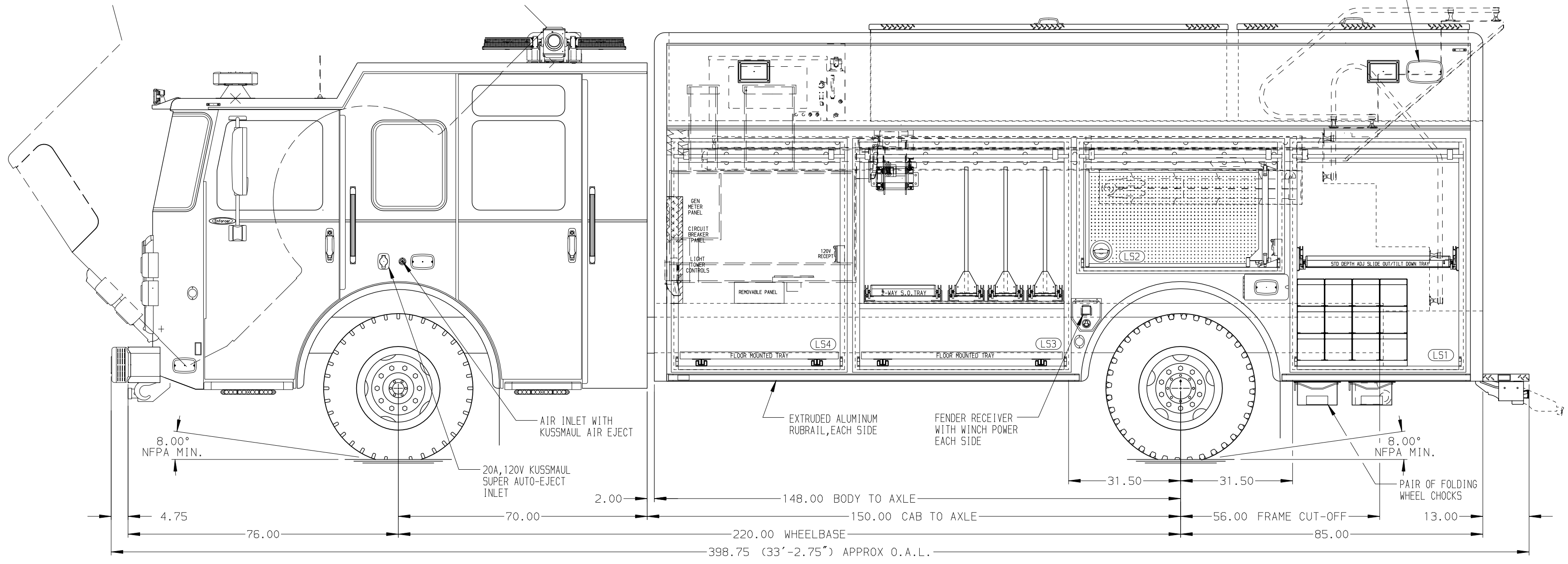
COMPARTMENT R54 CONTAINS:  
 - (1) CAB LIFT CONTROLLER



**REAR COMPARTMENT CONTAINS THE FOLLOWING:**

COMPARTMENT B1 CONTAINS:  
 -

COMPARTMENT B2 CONTAINS:  
 - (1) RACK FOR THE FOLLOWING:  
 - (1) 24" 2-SECTION LADDER  
 - (1) 14" ROOF LADDER  
 - (1) 10" FOLDING LADDER  
 - (1) LITTLE GIANT LADDER  
 - (2) PIKE POLES  
 - (1) 90" DP FLOOR MOUNTED SLIDE OUT TRAY



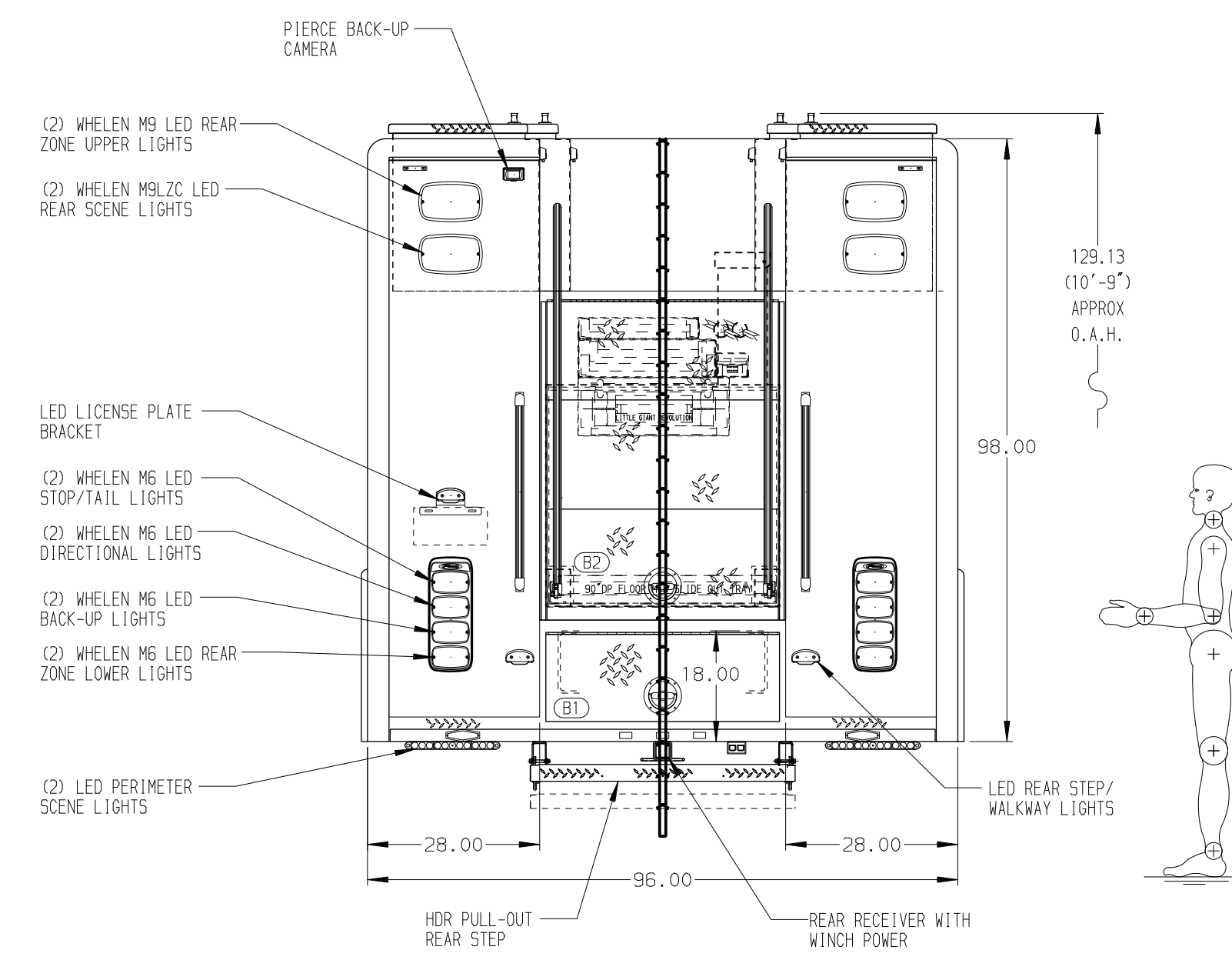
**LEFT SIDE COMPARTMENTS CONTAIN THE FOLLOWING:**

COMPARTMENT LS1 CONTAINS:  
 - (1) SWING OUT TOOLBOARD  
 - (1) 15/20A, 120V DUPLEX RECEPTACLE

COMPARTMENT LS2 CONTAINS:  
 - (1) SWING OUT TOOLBOARD  
 - (1) 15/20A, 120V DUPLEX RECEPTACLE

COMPARTMENT LS3 CONTAINS:  
 - (1) ELECTRIC CORD REEL WITH 100' OF 10/3 YELLOW CORD  
 - (1) 2-WAY FLOOR MTD SLIDE OUT TRAY  
 - (3) 2-WAY FLOOR MTD SLIDE OUT TOOLBOARDS  
 - (1) HORIZONTAL FLOOR EXTENSION  
 - (1) FLOOR MOUNTED TRAY

COMPARTMENT LS4 CONTAINS:  
 - (1) IOTA 75 AMP BATTERY CHARGER  
 - (1) CIRCUIT BREAKER PANEL  
 - (1) GENERATOR METER PANEL  
 - (1) NIGHTSCAN CONTROLLER  
 - (1) FLOOR MOUNTED TRAY  
 - (1) 15/20A, 120V DUPLEX RECEPTACLE



**NOTE**  
 DIMENSIONS SHOWN ARE APPROXIMATE AND ARE SUBJECT TO MINOR DEVIATIONS AS MAY OCCUR OR BE NECESSARY IN CONSTRUCTION. MINOR DETAILS NOT SHOWN.

**NOTES:**  
 1. ONSPOT AUTOMATIC TIRE CHAINS  
 2. POLISHED 5/S SCUFFPLATES ON CAB AND CREW CAB DOOR JAMBS  
 3. FLOOR IN CAB AND CREW CAB TO BE PADDED RUBBER  
 4. BATTERY CHARGE INDICATOR LOCATED ON DRIVER'S SEAT RISER  
 5. PIERCE LED LIGHTS IN ALL BODY AND HATCH COMPARTMENTS

SIDE ROLL AND FRONTAL IMPACT PROTECTION

CLEAR DOOR WIDTH KEY		REV	DATE	BY	CH	CHASSIS DATA
AMDR ROLL UP DOORS:	-2 1/4"	14FEB24	DHE	AZU		TITLE
CORTITE ROLL UP DOORS:	-2 1/2"	13FEB24	DHE	AZU		HEAVY DUTY RESCUE NON-WALK-IN
PIERCE DOUBLE LAP DOORS:	-4 1/4"	14DEC23	DHE	AZU	PIERCE	FOR
PIERCE LIFT-UP LAP DOORS:	-1 1/2"	28AUG23	DHE	AZU		OMRO FIRE DEPARTMENT BID #881
(EX: 60" F-F - 2 1/4" = 57 3/4" CLEAR)						DWG NO.
(F-F) = FRAME TO FRAME						38536AD

<b>Pierce MANUFACTURING INC.</b>		JOB NO.	38536
SCALE	1:24	DATE	
DRAWN BY	DHE	CHECKED BY	AZU
			30MAY23
NILES, LESLIE		SHEET SIZE	SHEET NO.
		D	1 OF 1