

# PUMPER BODY

Medium Stainless Steel 2nd Gen Pumper

## CHASSIS

Enforcer Chassis

## CHASSIS

### AXLE, FRONT, CUSTOM

22,800 Lb TAK-4 Axle

### AXLE, REAR

27,000 Lb Dana Axle

## ENGINE

450 HP Cummins L9 Engine

## TRANSMISSION

Allison 6th Gen, 3000 EVS P

## BUMPER

22" Extended Painted Steel

## CAB

7010 Enforcer Cab

## BODY

### WATER TANK

500 Gallon Poly Water Tank

### COMPT, PUMPER, REAR

30.75" FF RollUp Rear Compt

### COMPT, PUMPER, LEFT SIDE

152" RollUp Full Height Front & Rear FDLR

### COMPT, PUMPER, RIGHT SIDE

152" RollUp Full Height Front & Rear FDLR

## FIRE SUPPRESSION PUMPHOUSE

45" Control Zone Side Mount

## PUMP

2000 GPM Waterous CSU

### CROSSLAYS, 1.50"

(2) 1.50" CrossLays Std Cap.

### CROSSLAYS, 2.50"

2.50" CrossLay Not Required

## SPEEDLAYS

SpeedLays Not Required

## GENERATOR

Generator Not Required

## Foam System

Foam System Not Required

## Foam Cell

Foam Cell Not Required

Side Roll and Frontal Impact Protection

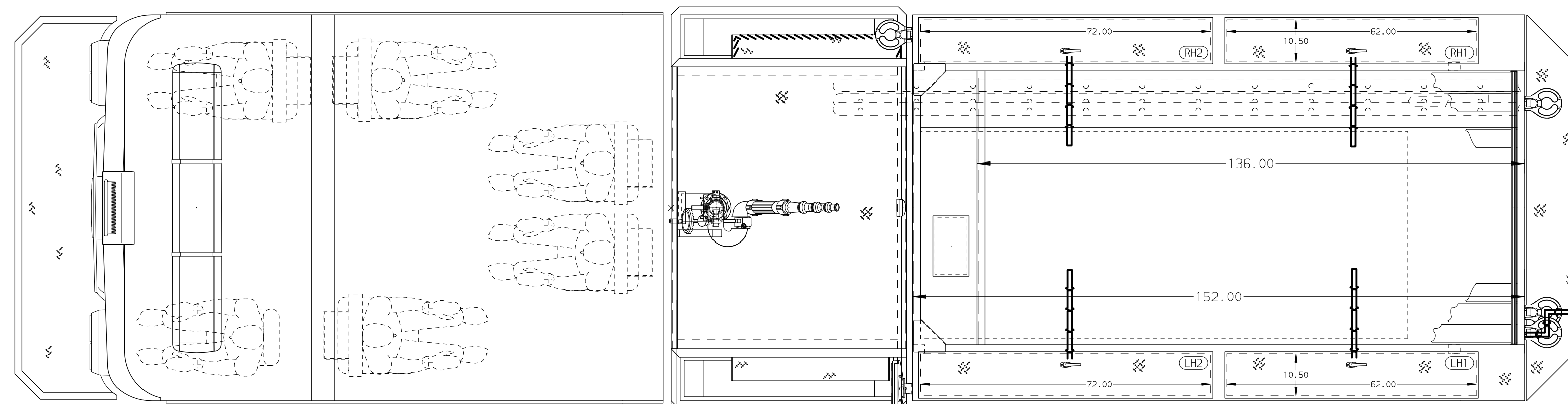
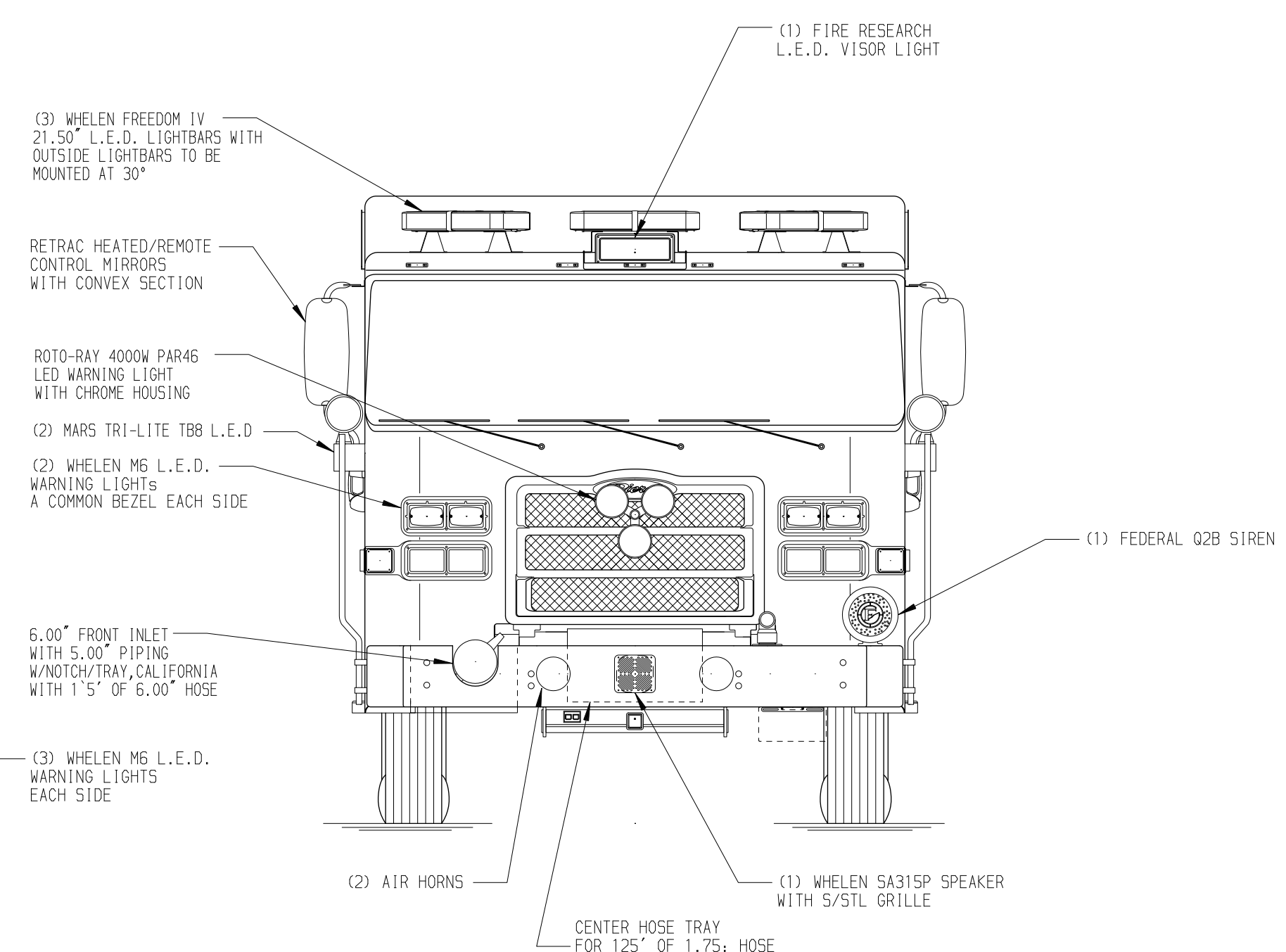
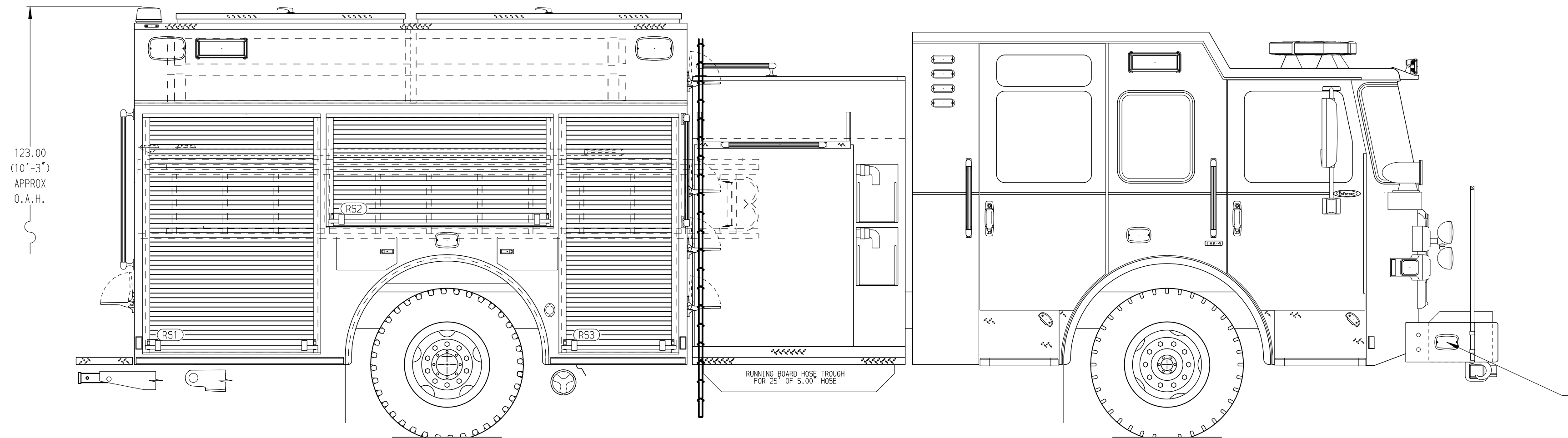
### NOTE

DIMENSIONS SHOWN ARE APPROXIMATE AND ARE SUBJECT TO MINOR DEVIATIONS AS MAY OCCUR OR BE NECESSARY IN CONSTRUCTION. MINOR DETAILS NOT SHOWN.

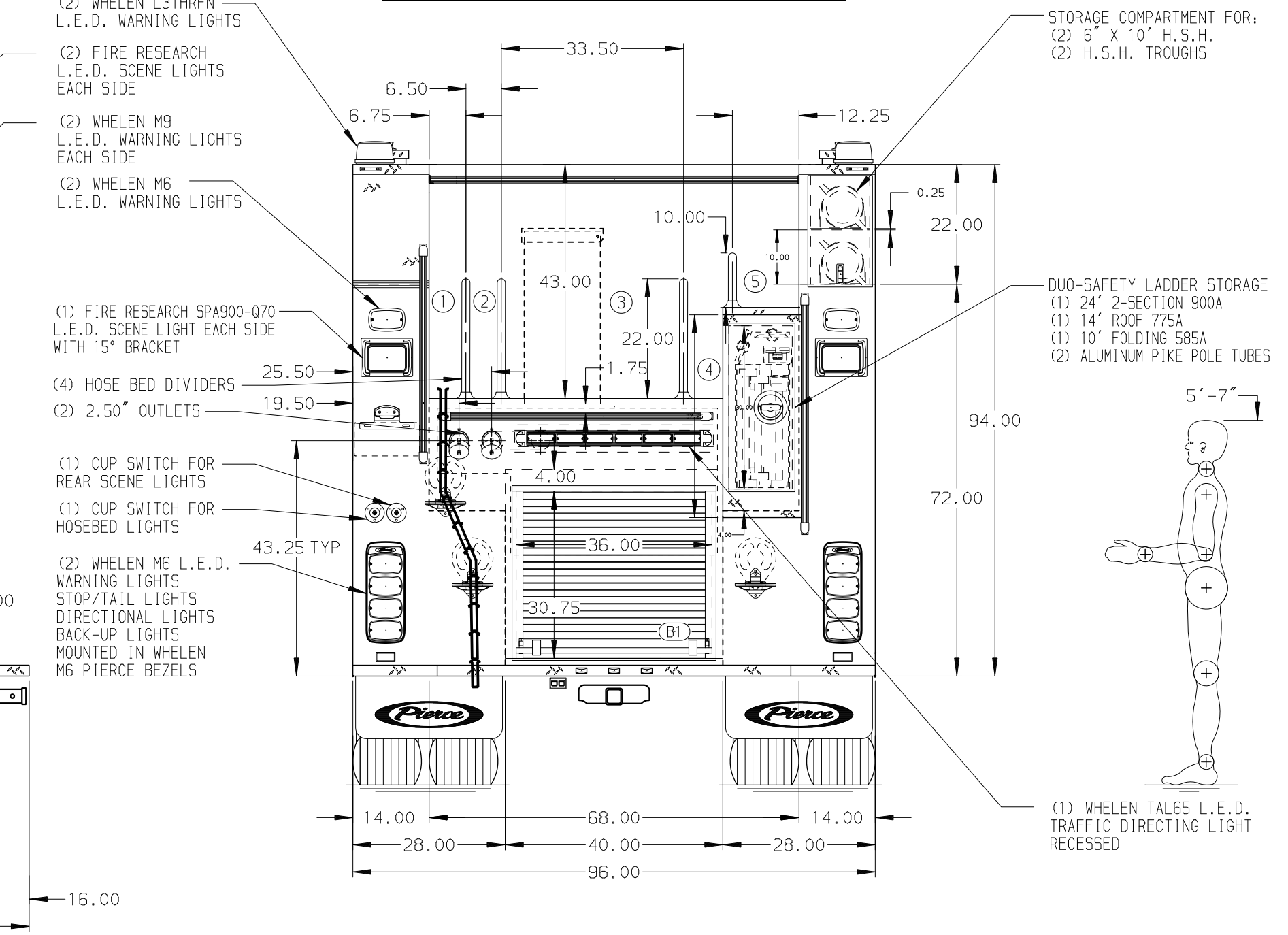
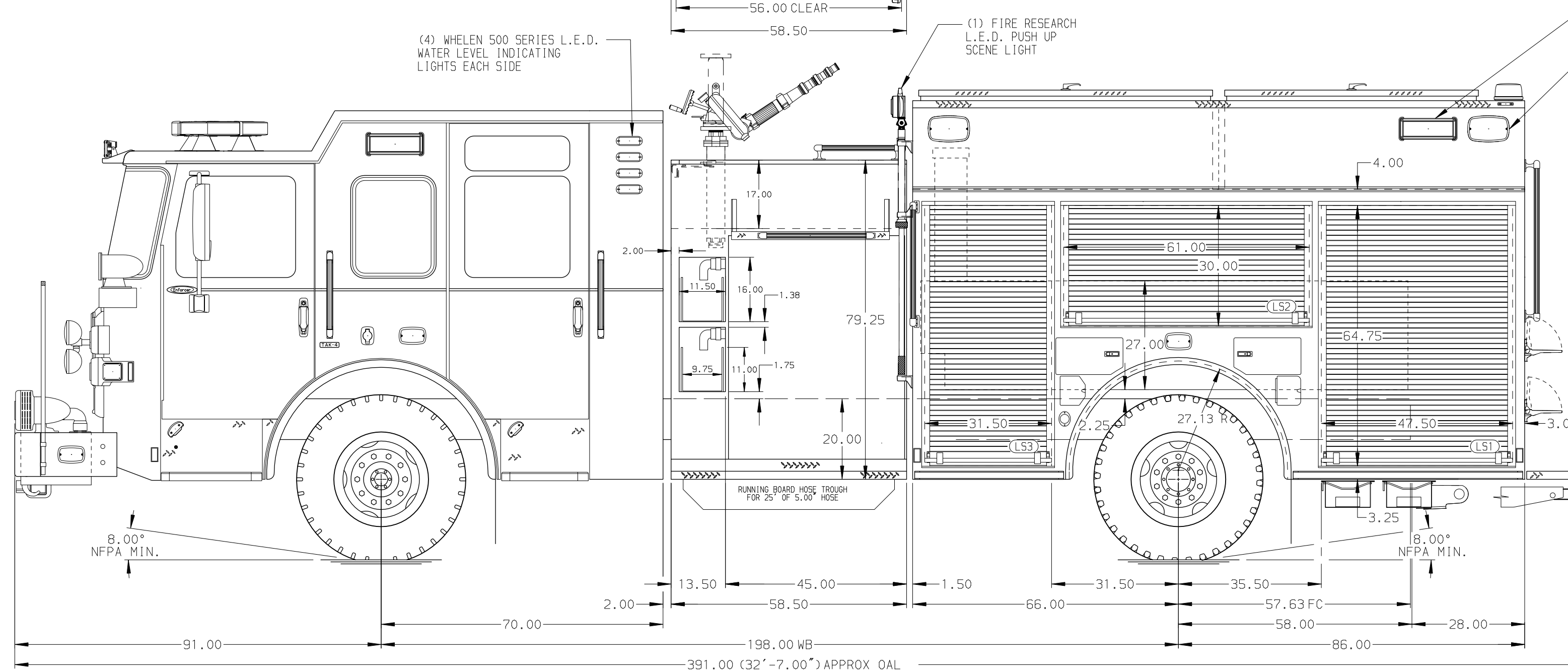
- ONE 1.50 OUTLET WITH 2.00 PIPING AND SWIVEL LOCATED ON TOP BUMPER LEFT SIDE
- SHORELINE RECEPTACLE WITH KISSMALL SUPER AUTO-EJECT LOCATED ON DRIVER SIDE OF THE CAB
- AIR INLET WITH DISCONNECT COUPLING IN THE DRIVER SIDE STEPWELL
- BATTERY CHARGER LOCATED PER ORDER
- BATTERY CHARGE INDICATOR LOCATED ON THE DRIVER SIDE SEAT RISER
- SIX ADJUSTABLE SHELVES LOCATED PER ORDER
- FOUR FLOOR MOUNTED SLIDE-OUT TRAY LOCATED PER ORDER
- TWO TILT/SLIDE-OUT TRAYS LOCATED PER SHOP ORDER
- THREE TOOLBOARDS LOCATED PER SHOP ORDER

MAXIMUM O.A.H. 123.00"

MAXIMUM O.A.L. 391.00"



HOSEBED CAPACITY	
BED 1	300' OF 3.00" D.J. POLY HOSE
BED 2	300' OF 2.50" D.J. POLY HOSE
BED 3	1100' OF 5.00" D.J. POLY HOSE
BED 4	300' OF 1.75" D.J. POLY HOSE
BED 5	300' OF 1.75" D.J. POLY HOSE



### CUSTOMER APPROVAL

APPROVED BY: \_\_\_\_\_  
DATE: \_\_\_\_\_



JOB NO. 38550  
SCALE 1:24  
DATE

REV	DATE	BY	CH	ENFORCER

TITLE Pierce Pumper Approval Drawing  
MAKE  
FOR City of Burlington  
MODEL  
DWG NO. 38550AD

DRAWN BY MMF  
CHECKED BY COL  
SHEET SIZE D  
SHEET NO. 1 OF 1