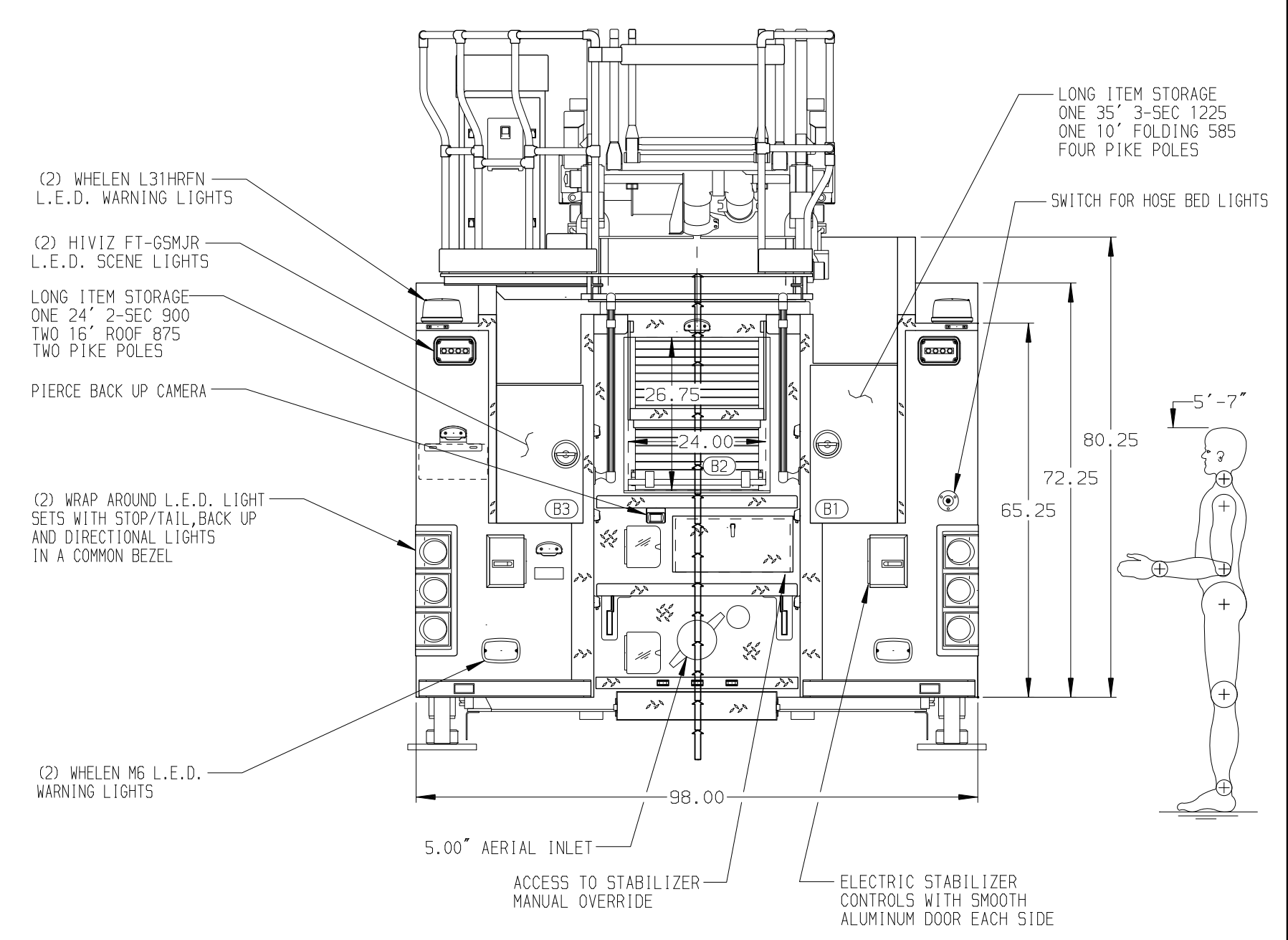
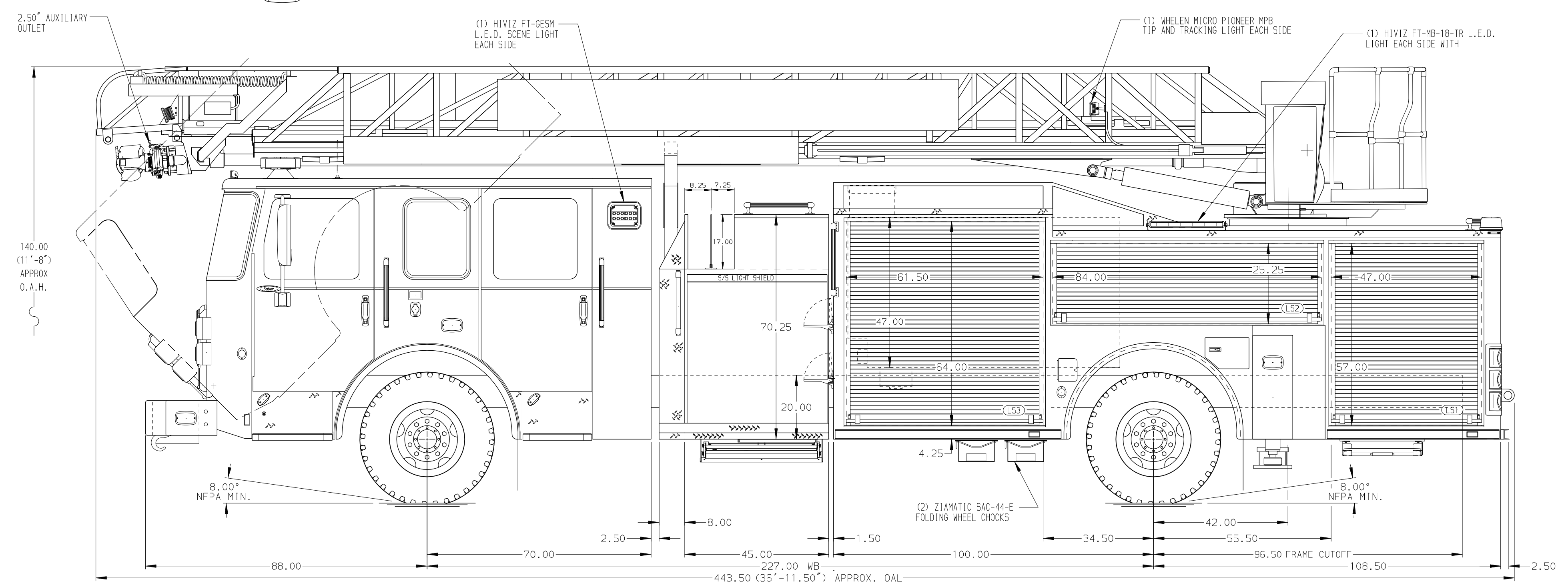


BODY 75' HAL Aluminum Body COMPT, LEFT SIDE FRONT Full Height RollUp Forward COMPT, LEFT SIDE REAR Full Height RollUp Rearward COMPT, RIGHT SIDE FRONT Full Height RollUp Forward COMPT, RIGHT SIDE REAR Full Height RollUp Rearward	WATER TANK 500 Gallon Poly Water Tank Foam System Plumbing for Future Husky Foam System Foam Cell 20 Gallon Foam Cell, Non-Reduced Water
--	--



CHASSIS Saber FR Chassis ENGINE 450 HP Cummins L9 Engine	CAB 7000 Saber Cab BUMPER 19" Extended Painted Steel	AXLE, FRONT, CUSTOM 20,000 Lb Dana Axle AXLE, REAR 33,500 Lb Meritor Axle	TRANSMISSION Allison 5th Gen, 3000 EV5 P	PUMPHOUSE 45" Control Zone Side Mount PUMP 1500 GPM Waterous CSU	CROSSLAYS, 1.50" (2) 1.50" Standard Capacity CROSSLAYS, 2.50" 2.50" Crosslay Not Required	SPEEDLAYS Speedlays Not Required GENERATOR Generator Not Required	CUSTOMER APPROVAL APPROVED BY: _____ DATE: _____		JOB NO. 38556 SCALE 1:24 DATE DRAWN BY ANZ 29MAR22 CHECKED BY THS 30MAR22 SHEET SIZE D SHEET NO. 1 OF 1
NOTE DIMENSIONS SHOWN ARE APPROXIMATE AND ARE SUBJECT TO MINOR DEVIATIONS AS MAY OCCUR OR BE NECESSARY IN CONSTRUCTION. MINOR DETAILS NOT SHOWN.		1. ONE 1.50" OUTLET WITH 2.00" PIPING AND SWIVEL LOCATED IN CENTER BUMPER TRAY OF THE CAB 2. SHORELINE RECEPTACLE WITH KUSSMALL SUPER AUTO-EJECT LOCATED ON DRIVER SIDE OF THE CAB 3. AIR INLET WITH DISCONNECT COUPLING IN THE DRIVER SIDE STEPPWELL 4. BATTERY CHARGER LOCATED BEHIND DRIVER SEAT 5. BATTERY CHARGE INDICATOR LOCATED ON DRIVER SIDE OF THE CAB 6. DUAL L.E.D. LIGHT STRIPS LOCATED IN HOSE BED 7. SIX ADJUSTABLE SHELVES IN COMPARTMENTS PER ORDER 8. FOUR FLOOR MOUNTED SLIDE-OUT TRAYS LOCATED IN COMPARTMENTS PER ORDER 9. 7.00" AERIAL LIMITED RETRACTION	10. 1.50" RAISED AERIAL PEDESTAL 11. 1500 GPM HIGH FLOW WATERWAY 12. LIFTING EYE RESCUE ATTACHMENT AT AERIAL TIP 13. RING LIGHTING ON AERIAL LADDER	CHASSIS DATA MAKE PIERCE MODEL SABER FR	TITLE 75' AERIAL LADDER & BODY ASSEMBLY (HAL) FOR PIERCE FIELD UNIT APPLETON, WI DWG NO. 38556AD				