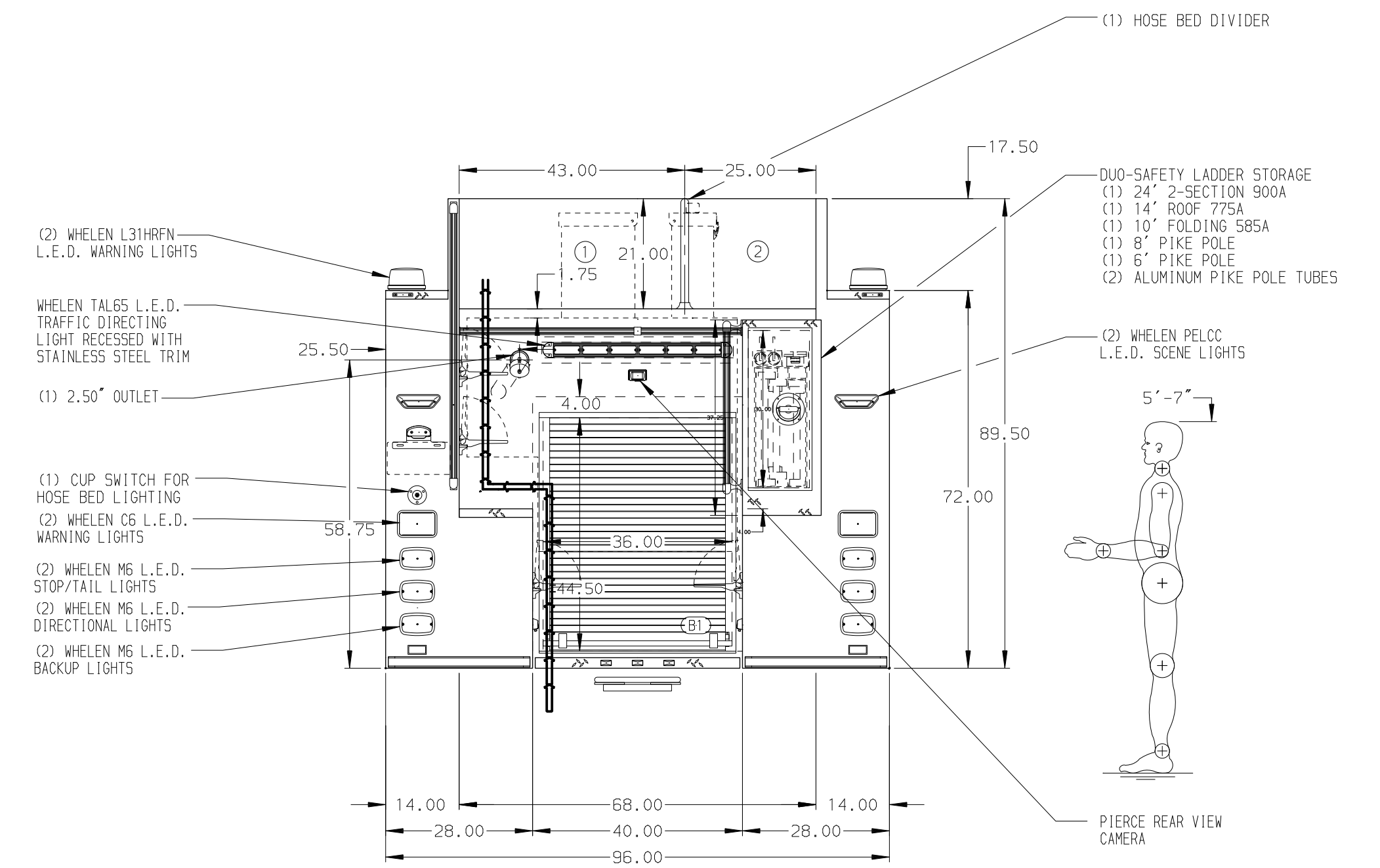
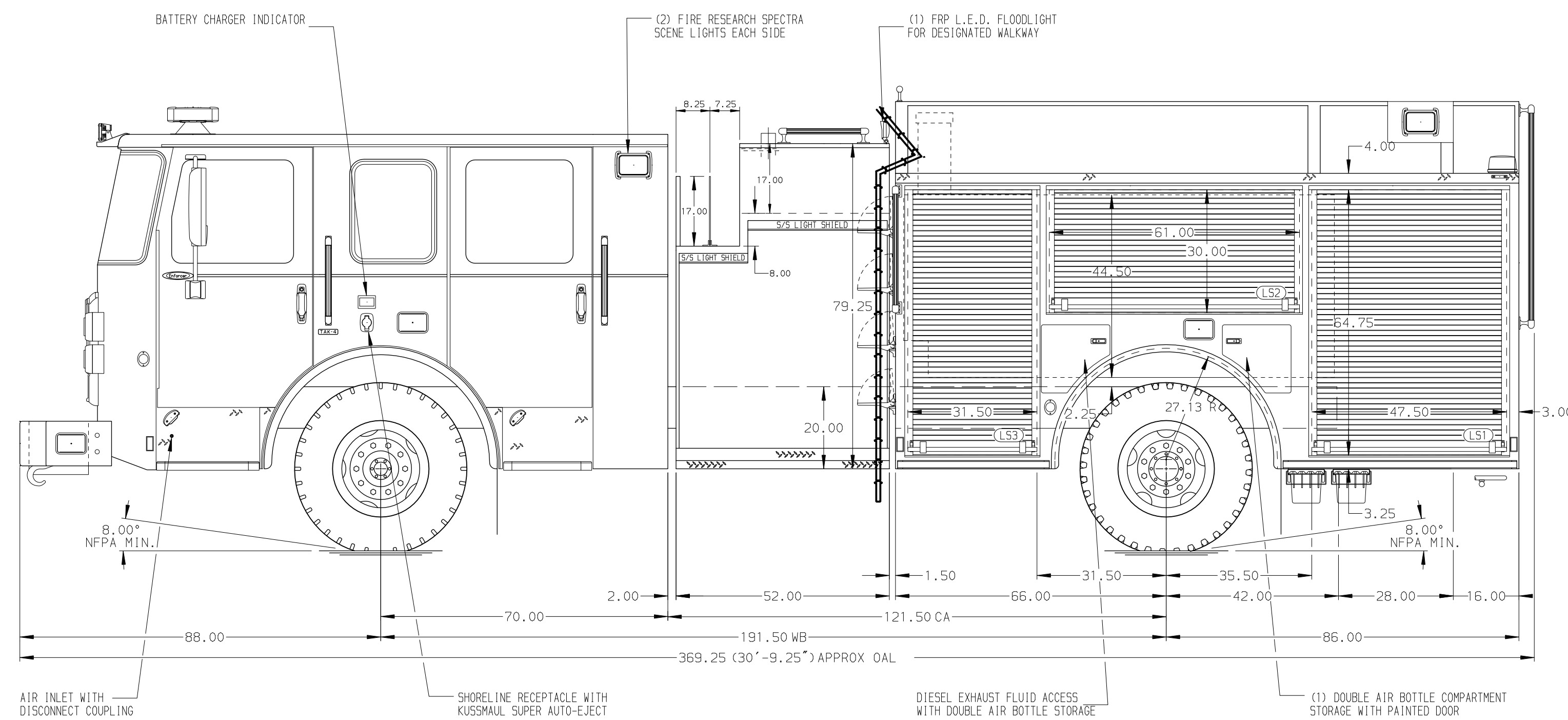


HOSEBED CAPACITIES

① 1000' OF 5.00" DJ HOSE

② 1000' OF 3.00" DJ HOSE



ALUMINUM BODY

NOTE
DIMENSIONS SHOWN ARE APPROXIMATE AND ARE SUBJECT TO MINOR DEVIATIONS AS MAY OCCUR OR BE NECESSARY IN CONSTRUCTION. MINOR DETAILS NOT SHOWN.

- BATTERY CHARGER LOCATED BEHIND DRIVER SEAT
- SEVEN ADJUSTABLE SHELVES LOCATED PER ORDER
- FOUR FLOOR MOUNTED TRAYS LOCATED PER ORDER

CUSTOMER APPROVAL

APPROVED BY: _____
DATE: _____



JOB NO. 38565

SCALE 1:24 DATE

CHASSIS DATA	TITLE	1250-D-770G TANK 750 WATER /20 FOAM, 152" BODY LADDERS BTWN TANK & SS, 52" SIDE CONTROL, (2) XLYS
MAKE	FOR	PIERCE STOCK UNIT APPLETON, WISCONSIN
MODEL	DWG NO.	38565AD
REV	DATE	BY
CH	ENFORCER	

DRAWN BY	COL	29MAR22
CHECKED BY	THS	29MAR22
SHEET SIZE	D	SHEET NO. 1 OF 1