

# Pumper, PUC

## BODY

Pumper, PUC, Aluminum

## CHASSIS

Enforcer Chassis, PUC

## CHASSIS

### AXLE, FRONT, CUSTOM

18,000 Lb TAK-4 Axle

### AXLE, REAR

31,000 Lb Meritor Axle

### ENGINE

450 HP Cummins L9 Engine

### TRANSMISSION

Allison 6th Gen, 3000 EVS P

### BUMPER

22" Extended Stainless Steel

### CAB

7010 Enforcer Cab, PUC

## BODY

### WATER TANK

1000 Gallon Poly Water Tank

### COMPT, PUMPER, REAR

40.50" FF RollUp Rear Compt w/Tailboard, PUC

### COMPT, PUMPER, LEFT SIDE

189" RollUp Full Height & Depth Front & Rear, PUC

### COMPT, PUMPER, RIGHT SIDE

189" RollUp Full Height & Depth Front & Rear, PUC

## FIRE SUPPRESSION

### PUMPHOUSE

Control Zone, PUC

### PUMP

1500 GPM Pierce PUC

### CROSSLAYS, 1.50"

(2) 1.50", Poly Trays, 200'

### CROSSLAYS, 2.50"

(1) 2.50", Poly Tray, 200'

### GENERATOR

Generator Not Required

### Foam System

Foam System Not Required

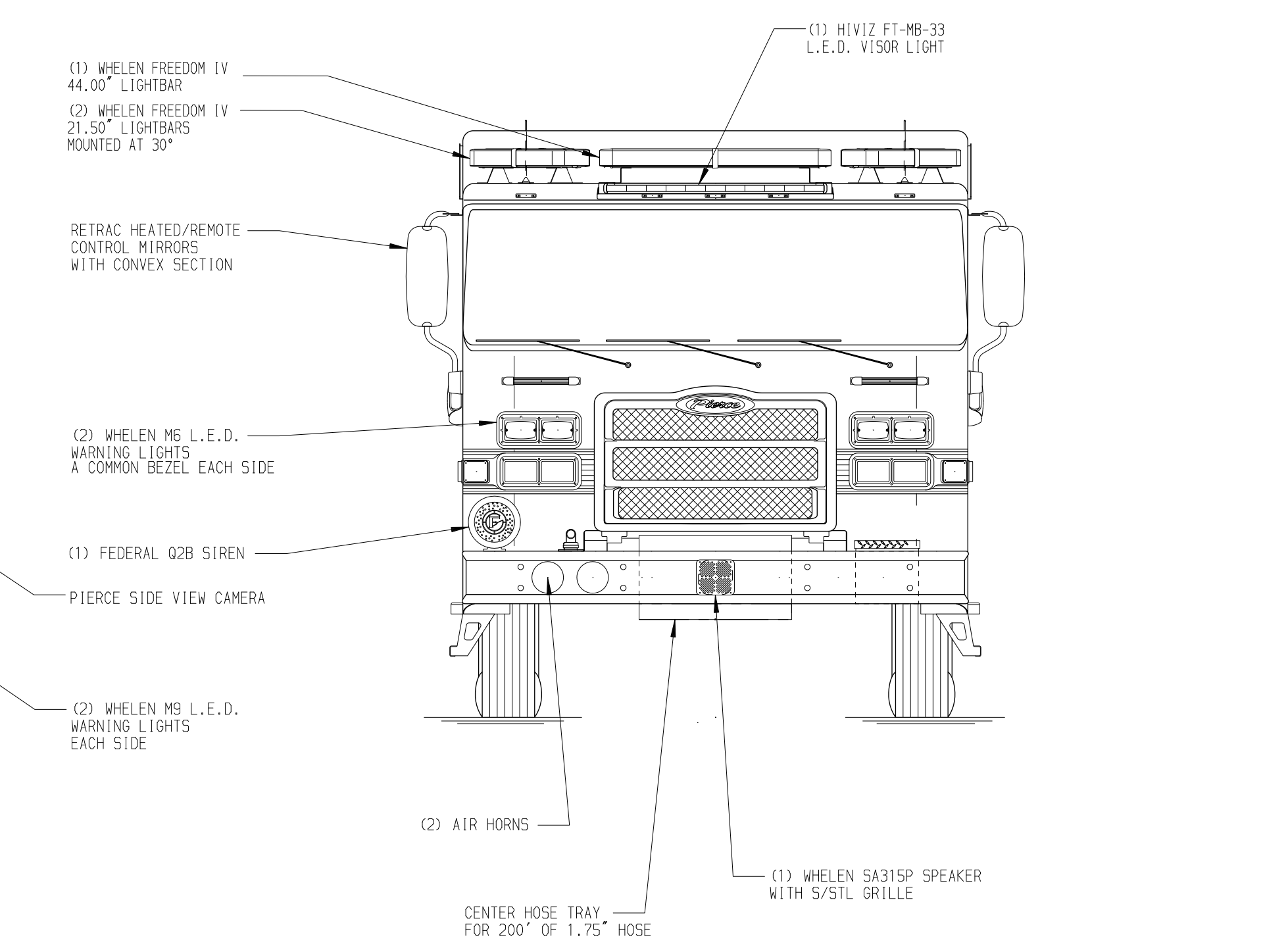
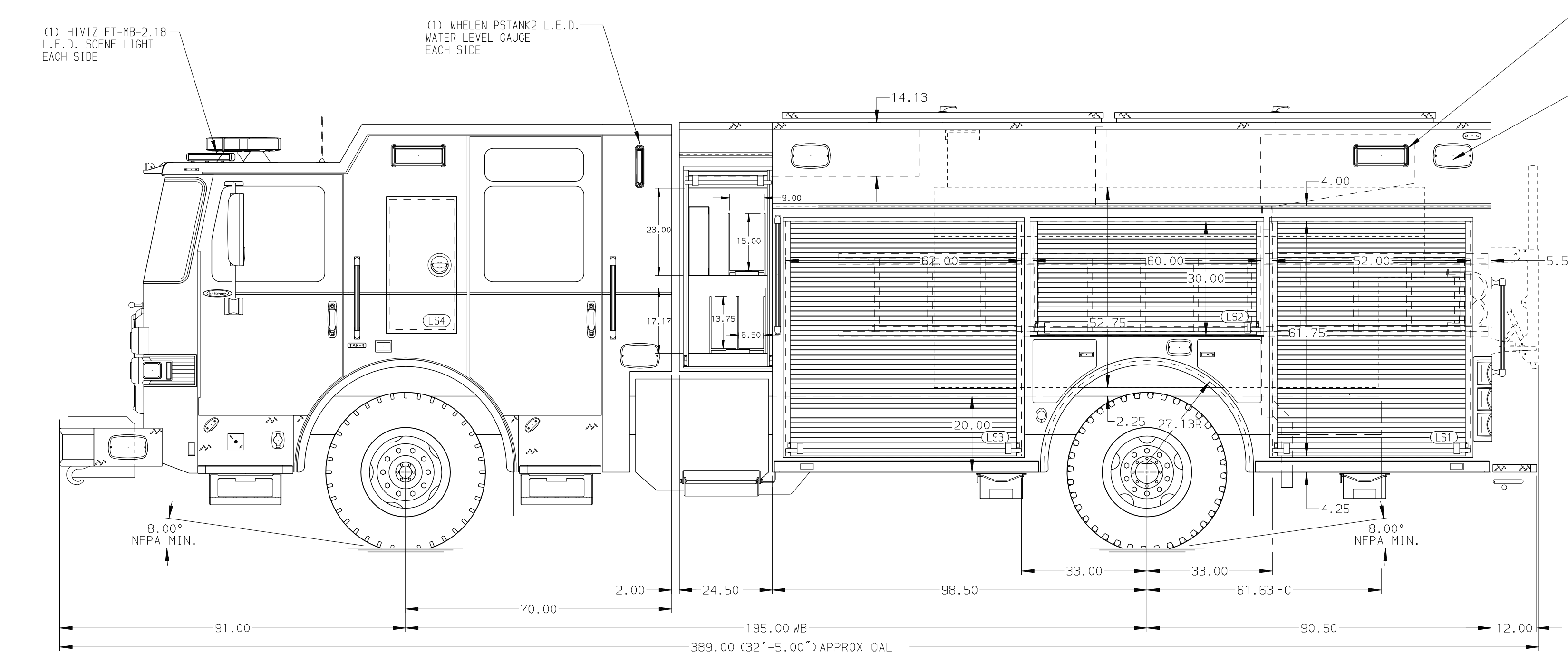
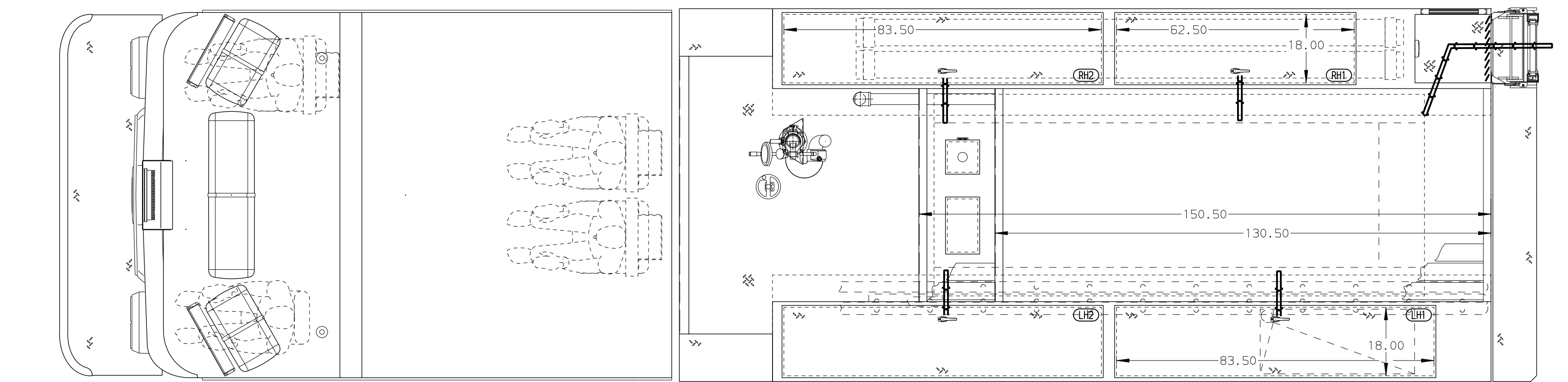
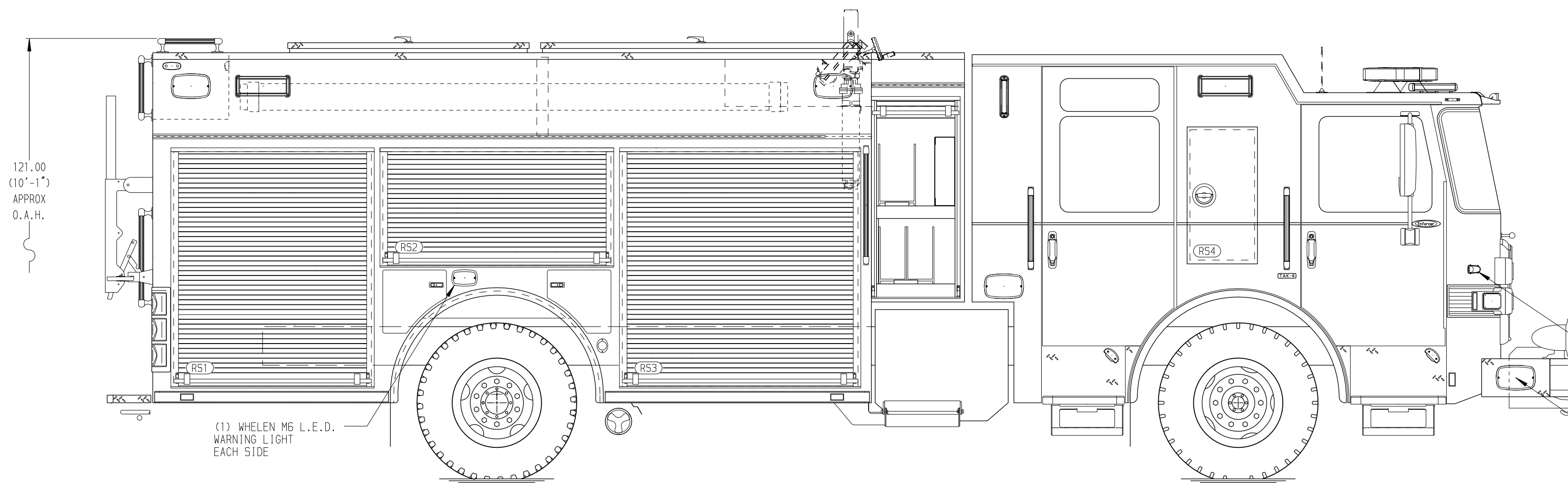
### Foam Cell

30 Foam Cell Not Reduced

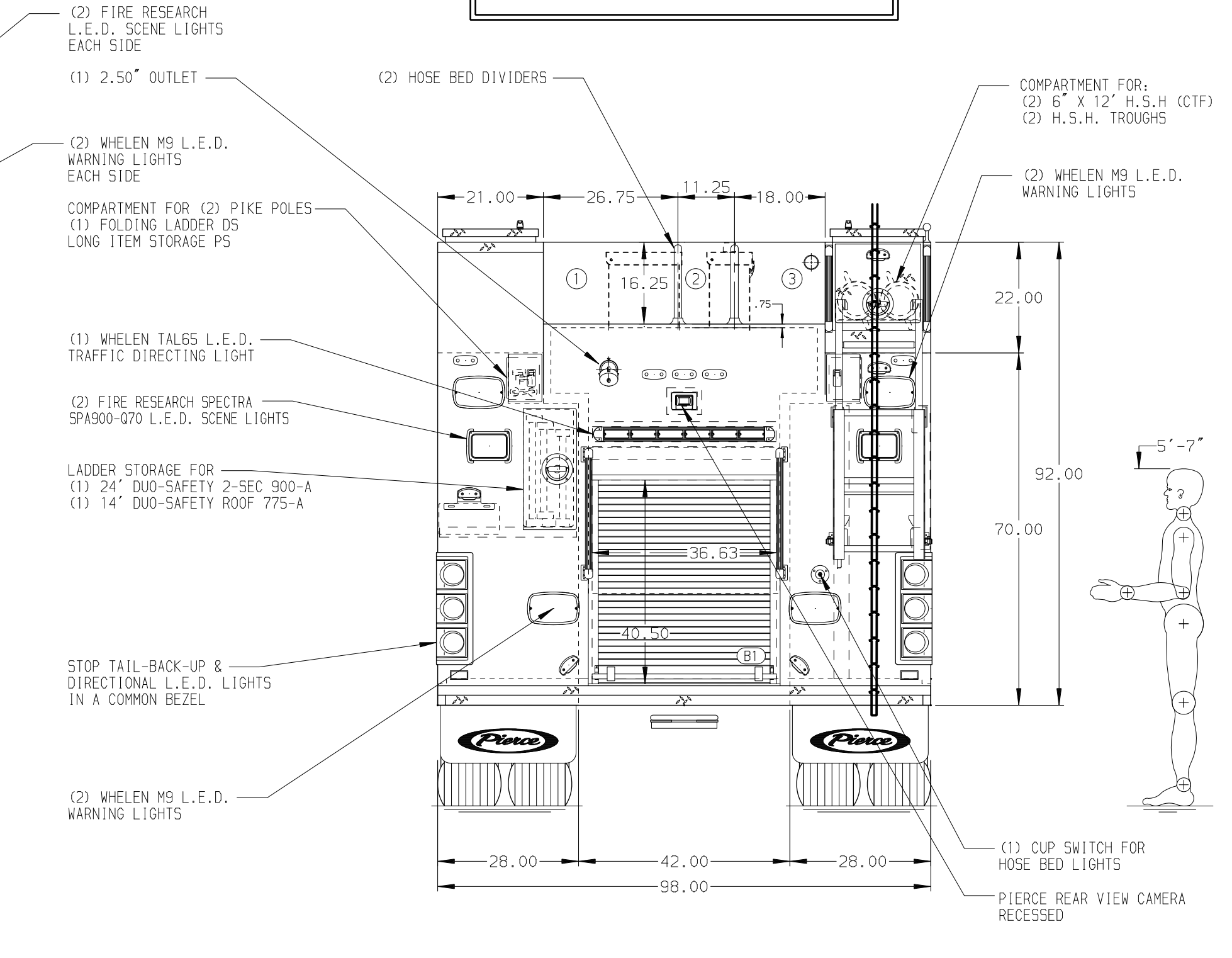
**NOTE**  
DIMENSIONS SHOWN ARE APPROXIMATE AND ARE SUBJECT TO MINOR DEVIATIONS AS MAY OCCUR OR BE NECESSARY IN CONSTRUCTION. MINOR DETAILS NOT SHOWN.

- ONE 1.50 OUTLET WITH 2.00 PIPING AND SWIVEL LOCATED ON TOP BUMPER RIGHT SIDE
- SHOULDER RECEPTACLE WITH KUSSMAUL SUPER AUTO-EJECT LOCATED ON DRIVER SIDE STEPWELL
- AIR INLET WITH DISCONNECT COUPLING IN THE DRIVER SIDE STEPWELL RECESSED
- BATTERY CHARGER LOCATED PER ORDER
- BATTERY CHARGE INDICATOR LOCATED ON THE DRIVER SIDE OF CAB
- TWO ADJUSTABLE SHELVES LOCATED PER ORDER
- FIVE FLOOR MOUNTED SLIDE-OUT TRAYS LOCATED PER ORDER
- 200LB OIL DRY HOPPER LOCATED PER SHOP ORDER
- FOUR TILT/SLIDE-OUT TRAYS LOCATED PER SHOP ORDER
- TWO SLIDE OUT TOOLBOARDS LOCATED PER SHOP ORDER
- ONE SWING-OUT TOOLBOARD LOCATED PER SHOP ORDER
- ONE VERTICAL PARTITION LOCATED PER SHOP ORDER
- PAC TRAC ON BACK WALL LOCATED PER SHOP ORDER

MAXIMUM O.A.H. 114.00"



HOSEBED CAPACITY	
BED 1	600' OF 4.00" D.J. POLY HOSE
BED 2	500' OF 1.75" D.J. POLY HOSE
BED 3	350' OF 3.00" D.J. POLY HOSE



## CUSTOMER APPROVAL

APPROVED BY: \_\_\_\_\_

DATE: \_\_\_\_\_



JOB NO.	38581
SCALE	1:24
DATE	
DRAWN BY	MMF
CHECKED BY	COL
SHEET SIZE	D
SHEET NO.	1 OF 1

TITLE	Pierce PUC Pumper Approval Drawing
FOR	City of Salamanca
DWG NO.	38581AD
CHASSIS DATA	
MAKE	PIERCE
MODEL	ENFORCER