

RIGHT SIDE COMPARTMENTS CONTAIN THE FOLLOWING:

COMPARTMENT R51 CONTAINS:

- (2) STD DEPTH ADJ SHELVES
- (1) STD DEPTH ADJ SLIDE OUT/TILT TRAY
- (1) STD DEPTH FLOOR MOUNTED TRAY
- (1) ALUMINUM STORAGE BIN
- (2) 15/20A, 120V DUPLEX RECEPTACLES

COMPARTMENT R52 CONTAINS:

- (1) STD DEPTH ADJ SHELF

COMPARTMENT R53 CONTAINS:

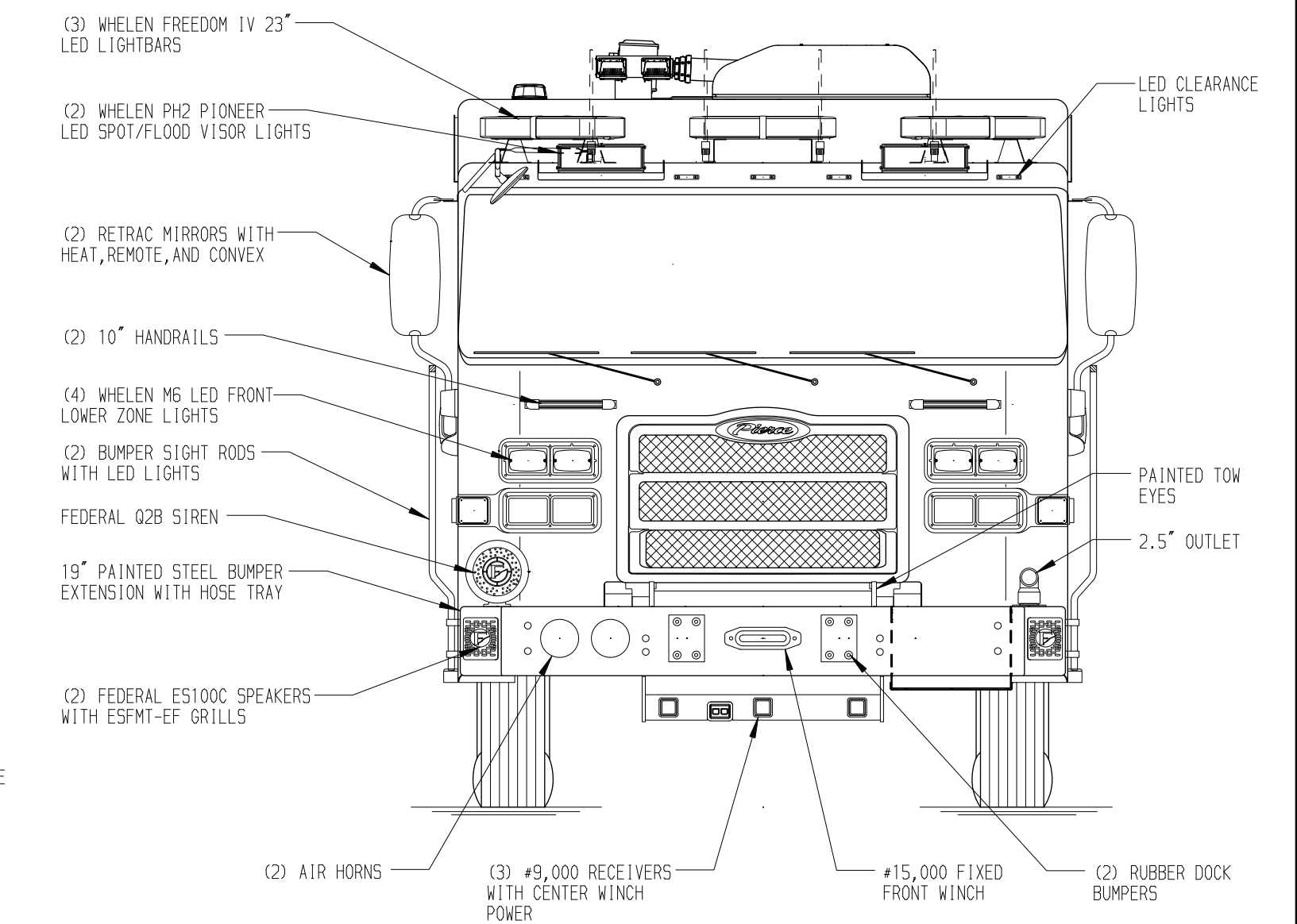
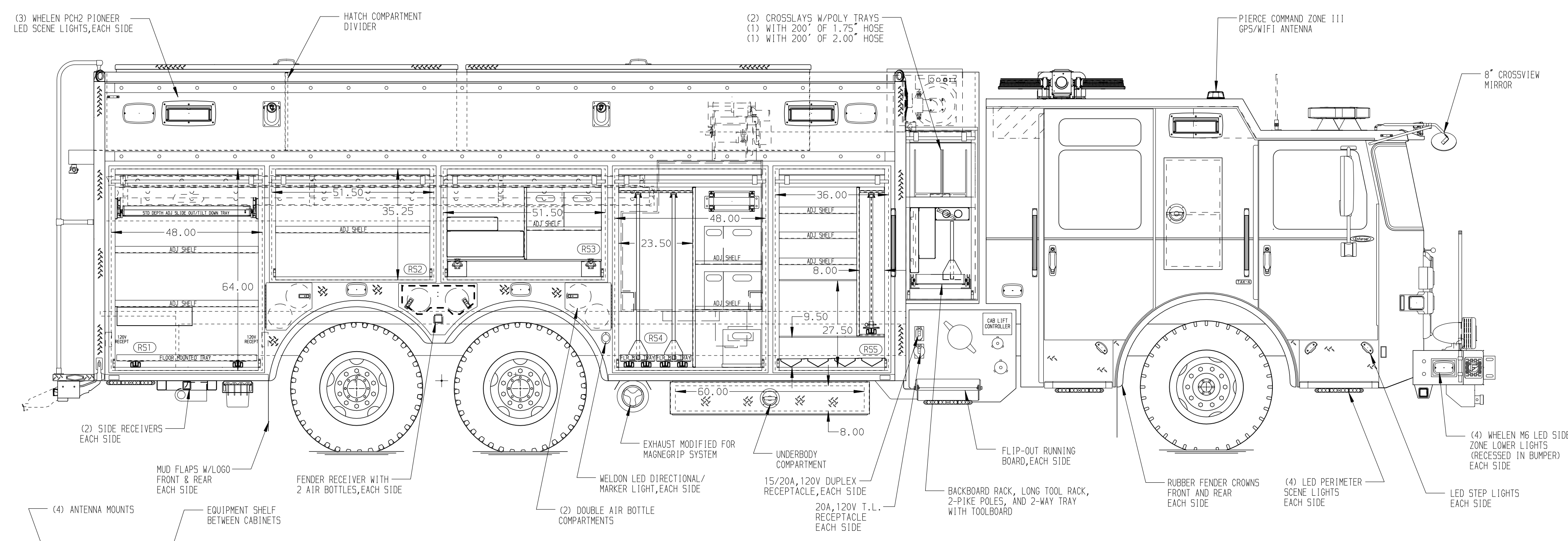
- (1) AIR BAG RACK
- (1) PLYWOOD RACK
- (1) STD DEPTH ADJ SHELF W/1" FRONT
- (2) POLY TOOL BOXES
- (1) VERTICAL COMPARTMENT DIVIDER

COMPARTMENT R54 CONTAINS:

- (1) VERTICAL COMPARTMENT DIVIDER
- (2) STD DEPTH ADJ SHELVES W/1" FRONT
- (2) STD DEPTH FLOOR MOUNTED TRAYS WITH TOOLBOARDS
- (5) POLY TOOL BOXES
- (1) ELECTRIC CORD REEL WITH 200' OF 10/4 YELLOW CORD

COMPARTMENT R55 CONTAINS:

- (2) 0.38" PERMANENT SHELVES
- (1) VERTICAL COMPARTMENT DIVIDER
- (3) STD DEPTH ADJ SHELVES
- (1) STD DEPTH ADJ SLIDE OUT TOOLBOARD
- (1) EXTINGUISHER RACK



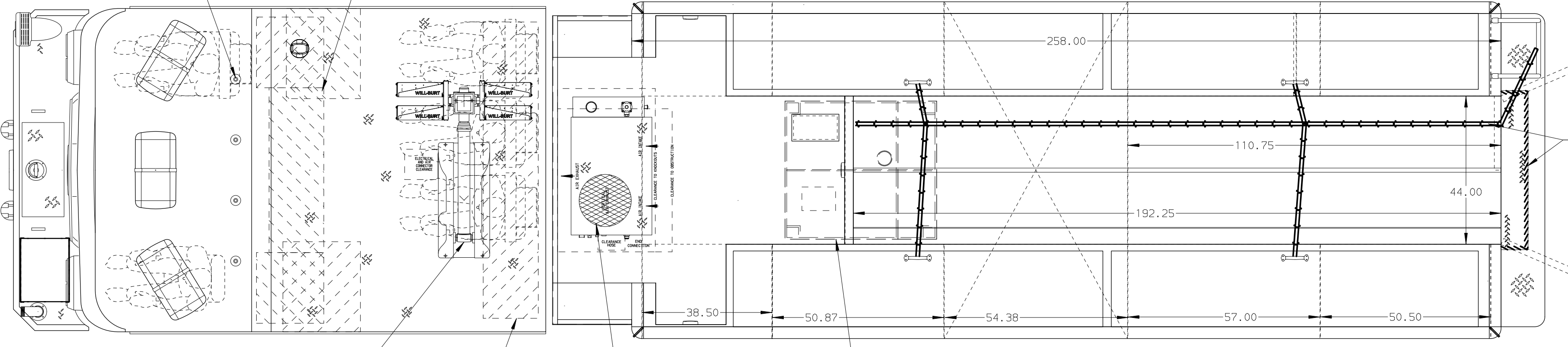
REAR COMPARTMENT CONTAINS THE FOLLOWING:

COMPARTMENT B1 CONTAINS:

- (1) HORIZONTAL FLOOR EXTENSION
- (1) STD DEPTH FLOOR MOUNTED TRAY
- (1) 105" DP FLOOR MOUNTED SLIDE OUT TRAY
- (1) STORAGE FOR TWO 6 X 6 X 12" LUMBER
- (1) RACK FOR THE FOLLOWING:
 - (1) 24" 2-SECTION LADDER
 - (1) 14" ROOF LADDER
 - (1) LITTLE GIANT LADDER
 - (1) 12" FRESNO LADDER
 - (1) PIKE POLE
 - (1) TROUGH FOR 20 PICKETS
 - (1) TRIPOD STORAGE TROUGH
 - (1) STOKES STORAGE
 - (1) RAPID RESPONSE STORAGE TROUGH
 - (1) STORAGE FOR TWO 4 X 4 X 12" LUMBER
 - (1) STORAGE FOR FOUR 2 X 2 X 12" LUMBER

HOSEBED CAPACITY

- (A) - 250' OF 2.50" HOSE
- (B) - 800' OF 5.00" HOSE



LEFT SIDE COMPARTMENTS CONTAIN THE FOLLOWING:

COMPARTMENT L51 CONTAINS:

- (1) 0.38" PERMANENT SHELF
- (1) STD DEPTH ADJ SHELF
- (1) VERTICAL COMPARTMENT DIVIDER
- (1) STD DEPTH ADJ SLIDE OUT/TILT TRAY
- (1) STD DEPTH FLOOR MOUNTED TRAY WITH TOOLBOARD
- (1) 15/20A, 120V DUPLEX RECEPTACLE
- (1) DURASURF ON REARWARD FLOOR

COMPARTMENT L52 CONTAINS:

- (1) STD DEPTH ADJ SHELF
- ALUMINUM TREADPLATE ON COMPT FLOOR

COMPARTMENT L53 CONTAINS:

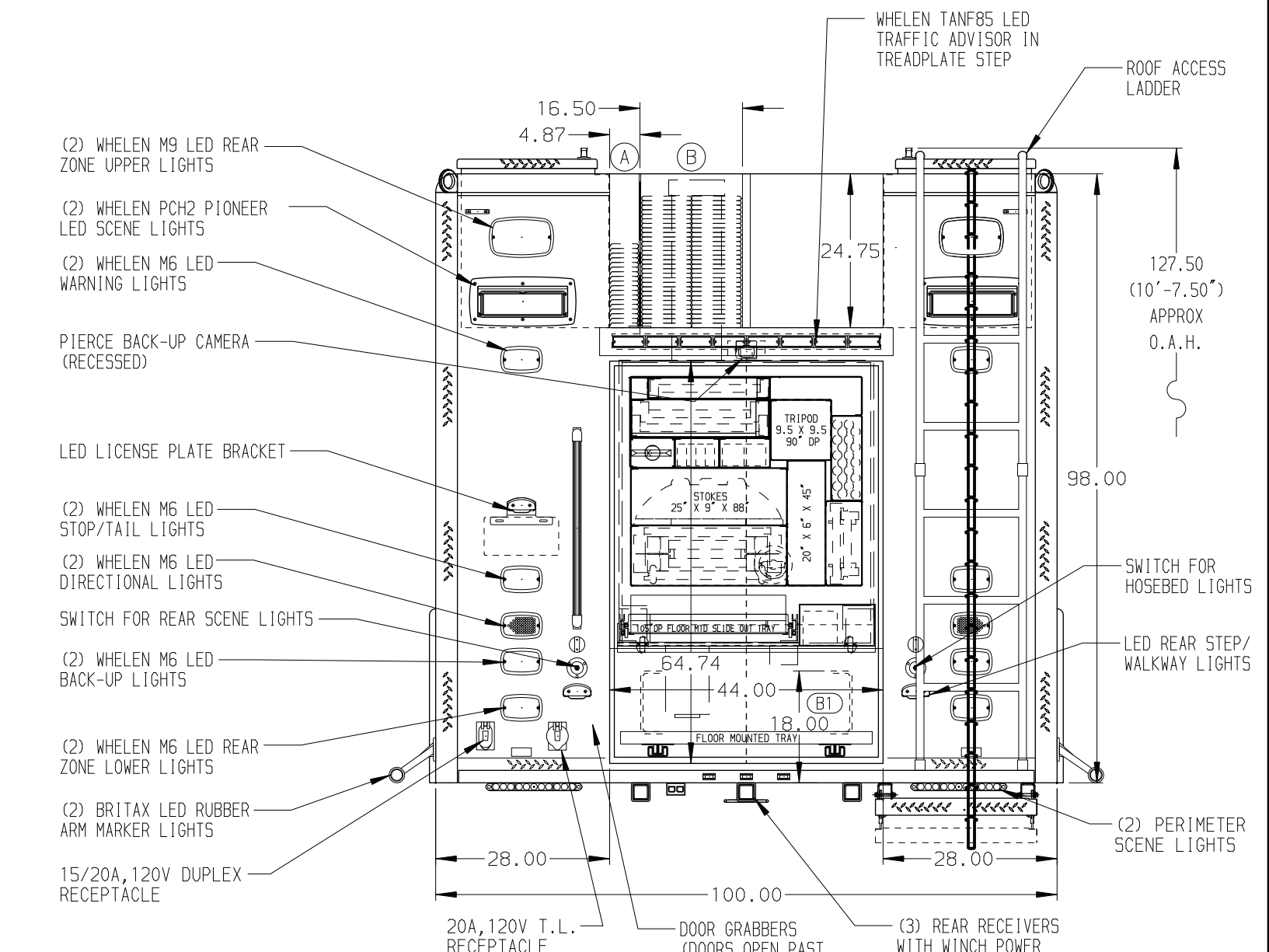
- (1) STD DEPTH ADJ SHELF
- (1) PLYWOOD RACK

COMPARTMENT L54 CONTAINS:

- (3) STD DEPTH ADJ SHELVES
- (1) VERTICAL COMPARTMENT DIVIDER
- (1) 2" RETAINING LIP
- (1) CIRCUIT BREAKER PANEL
- (1) GENERATOR METER PANEL
- (1) ELECTRIC CORD REEL WITH 200' OF 10/4 YELLOW CORD
- (2) 15/20A, 120V DUPLEX RECEPTACLES

COMPARTMENT L55 CONTAINS:

- (1) PUMP PANEL
- (1) RECESSED PARTITION
- (1) LIGHT TOWER CONTROLLER



NOTE

DIMENSIONS SHOWN ARE APPROXIMATE AND ARE SUBJECT TO MINOR DEVIATIONS AS MAY OCCUR OR BE NECESSARY IN CONSTRUCTION. MINOR DETAILS NOT SHOWN.

NOTES:

- PIERCE 1500 GPM PUC STYLE WATER PUMP
- 15/20A, 120V DUPLEX RECEPTACLE IN P.S. EMS CABINET
- ALUMINUM TREADPLATE ON REAR OF ENGINE TUNNEL
- POLISHED 5/5 SOUFFLATES ON CAB AND CREW CAB DOORS
- ALUMINUM TREADPLATE ON RAISED ROOF OF CAB
- FLOOR IN CAB AND CREW CAB TO BE ALUMINUM TREADPLATE
- KUSSMAUL 35/10 CHARGER LOCATED ON BACK WALL OF EMS CABINET
- BATTERY CHARGE INDICATOR LOCATED ON DRIVER'S SEAT RISER
- ALUMINUM TREADPLATE ON BODY CORNERS
- 5/5 GUARDS ON ALL BODY ROLL-UP DOORS
- PULL-STRAPS ON CROSSLAY MODULE ROLL-UP DOORS
- PIERCE LED LIGHTS IN ALL BODY AND HATCH COMPARTMENTS
- ALUMINUM TREADPLATE ON BODY FENDER PANELS

MAXIMUM O.A.L.: 40'-0"

MAXIMUM O.A.H.: 10'-7.5"

SIDE ROLL & FRONTAL IMPACT PROTECTION

CLEAR DOOR WIDTH KEY		REV	DATE	BY	CH	CHASSIS DATA
AMOR ROLL UP DOORS	-2 1/4"	18JUN24	DHE	AZU	PIERCE	18JUN24
CORTITE ROLL UP DOORS	-2 1/2"	10JAN24	DHE	AZU	PIERCE	10JAN24
PIERCE DOUBLE LIP DOORS	-4 1/4"	05OCT23	DHE	AZU	PIERCE	05OCT23
PIERCE LIFT-UP LAP DOORS	-1 1/2"	20JUN23	DHE	AZU	PIERCE	20JUN23
(EX: 60" F-F - 2 1/4" = 57 3/4" CLEAR)						
(F-F) = FRAME TO FRAME						

		JOB NO.	38613
		SCALE	DATE
TITLE	HEAVY DUTY RESCUE RESCUE PUC W/300 GAL WATER TANK	DRAWN BY	DHE 07JUN23
FOR	UNION, TOWNSHIP OF BID #920	CHECKED BY	AZU 09JUN23
DWG NO.	38613AD	DWG NO.	D
		GREGG CARIDDI	SHEET NO. 1 OF 1