

PUMPER BODY

Medium Aluminum 2nd Gen Pumper

CHASSIS

Enforcer Chassis

CHASSIS AXLE, FRONT, CUSTOM

18,000 Lb Dana Axle

AXLE, REAR

27,000 Lb Dana Axle

ENGINE

450 HP Cummins L9 Engine

TRANSMISSION

Allison 6th Gen, 3000 EVS P

BUMPER

19" Extended Painted Steel

CAB

7010 Enforcer Cab

BODY

WATER TANK

750 Gallon Poly Water Tank

COMPT, PUMPER, REAR

37.75" FF RollUp Rear Compt

COMPT, PUMPER, LEFT SIDE

152" Lap Full Height Front & Rear FOLER

COMPT, PUMPER, RIGHT SIDE

152" Lap Full Height Front & Rear FOLER

FIRE SUPPRESSION PUMPHOUSE

48" Control Zone Side Mount

PUMP

1500 GPM Waterous CSU

CROSSLAYS, 1.50"

(2) 1.50" Standard Capacity

CROSSLAYS, 2.50"

(1) 2.50" Standard Capacity

SPEEDLAYS

Speedlays Not Required

GENERATOR

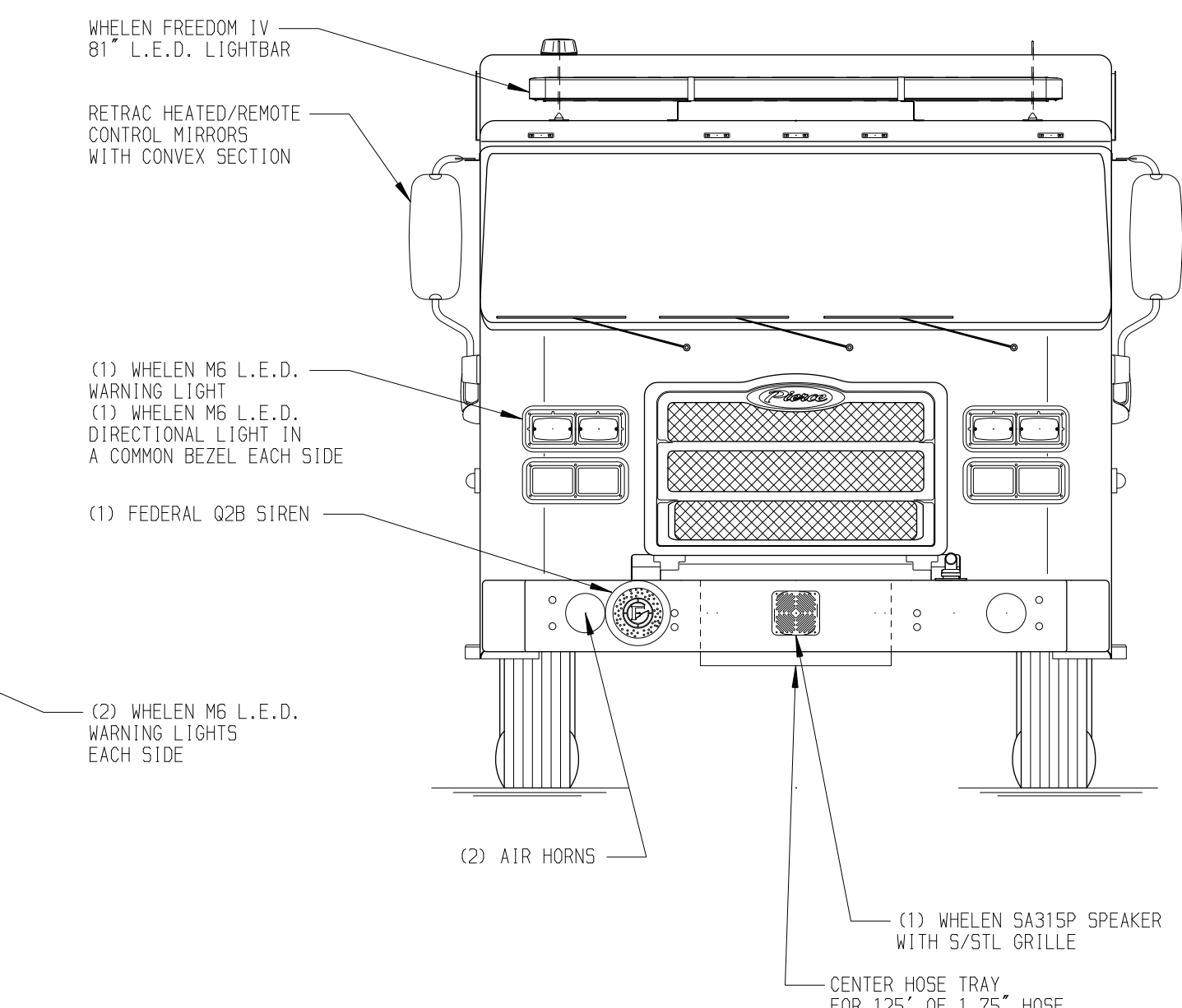
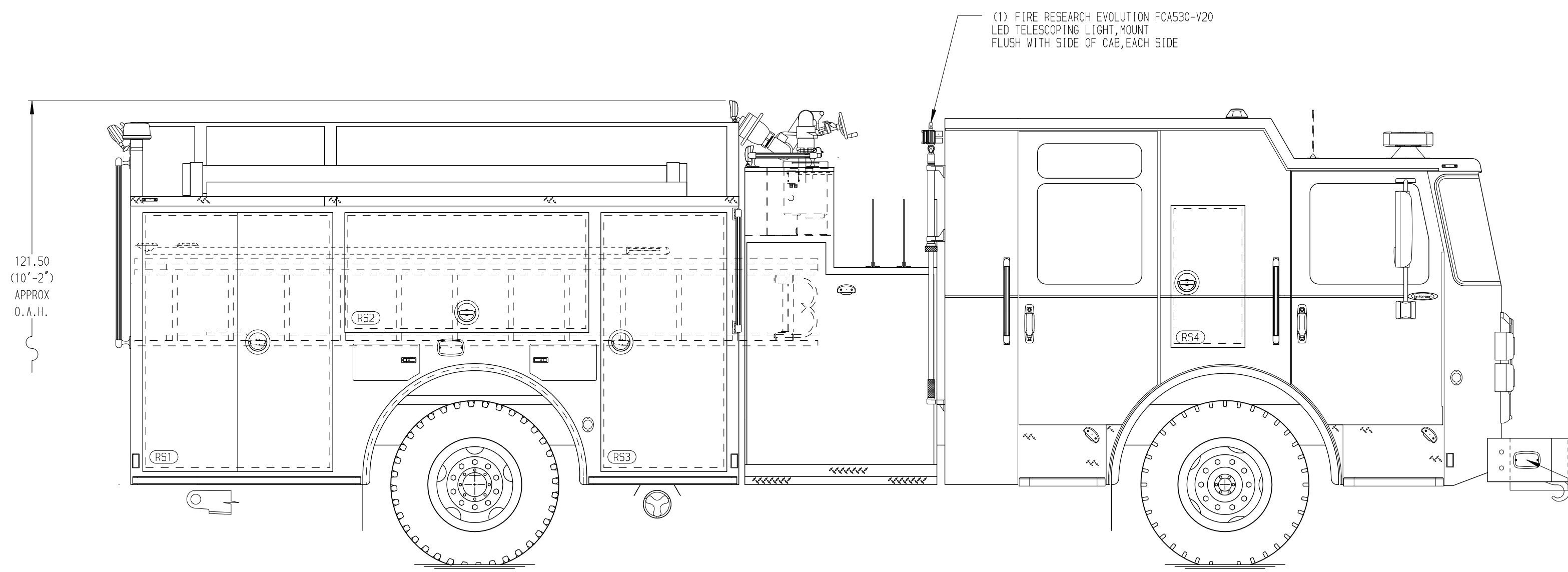
Generator Not Required

Foam System

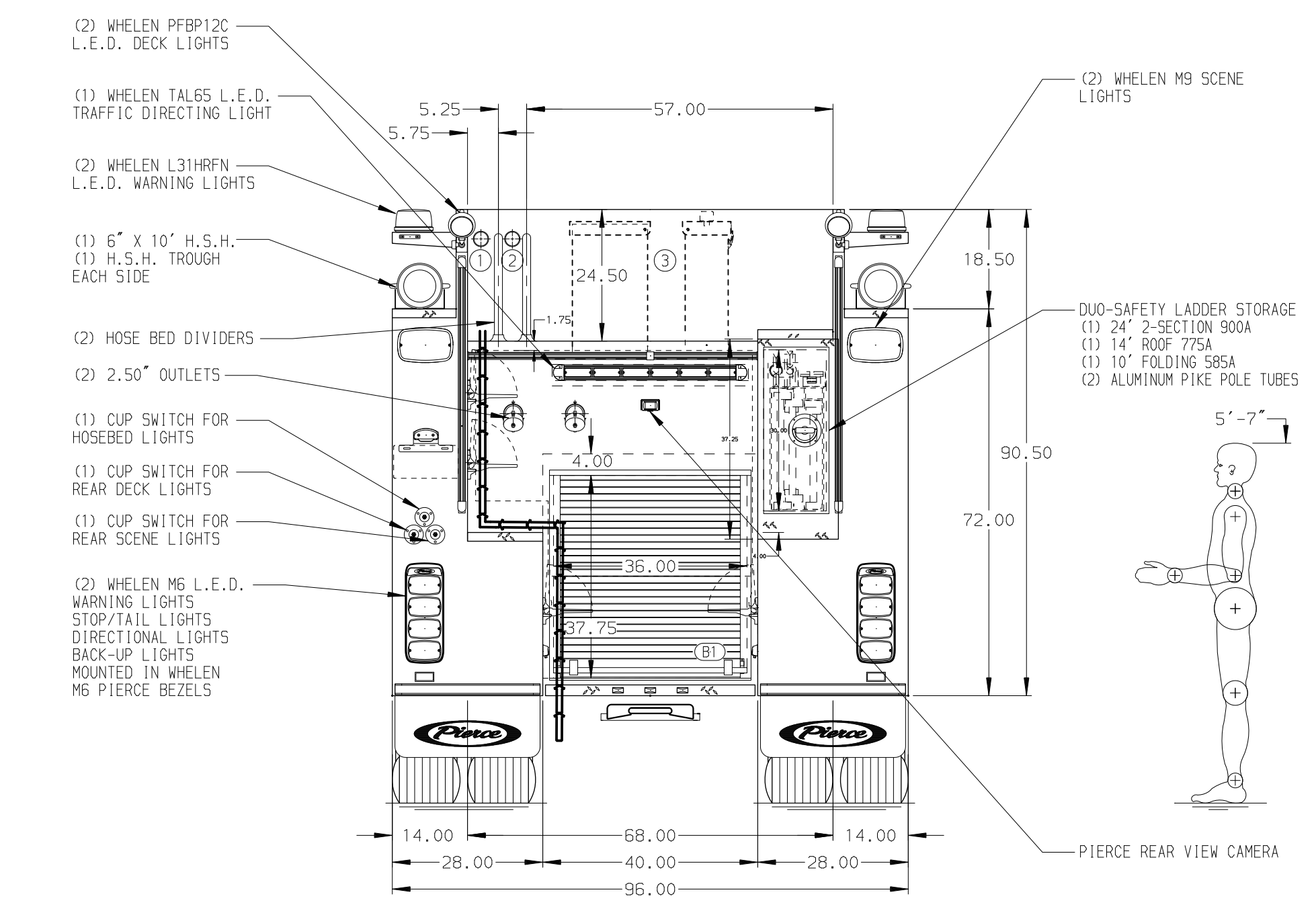
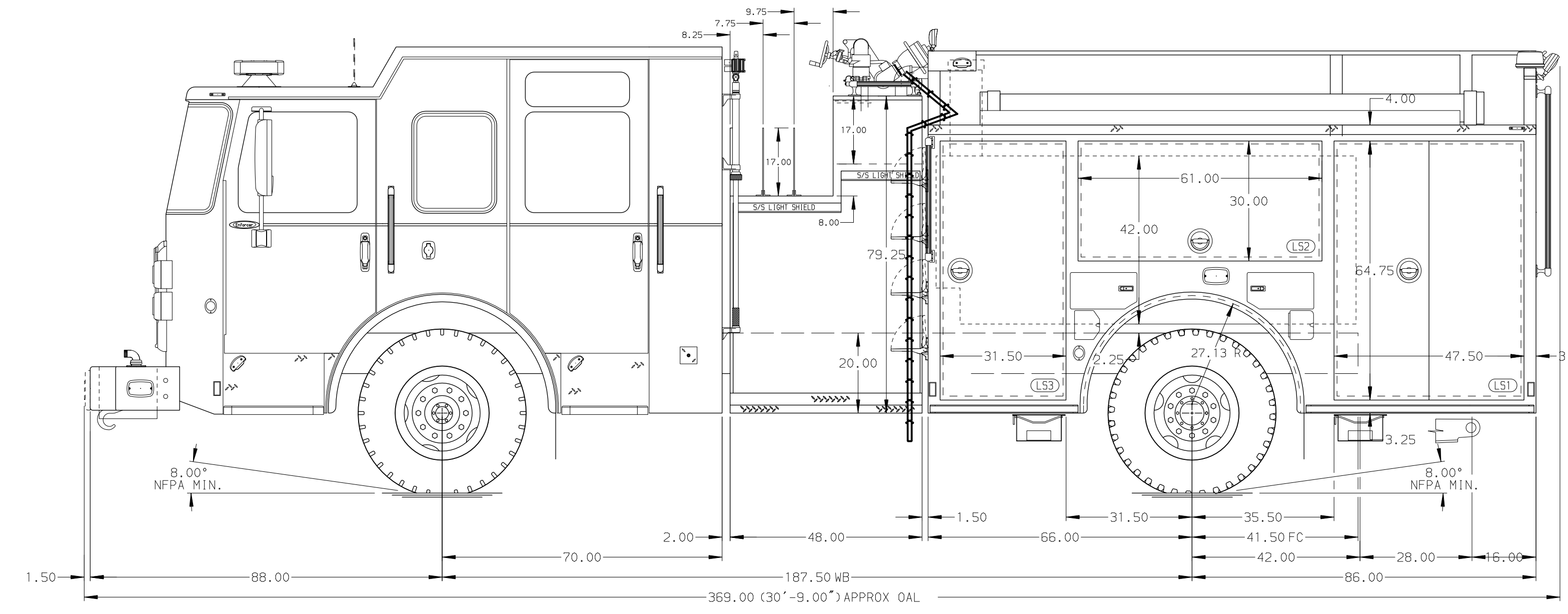
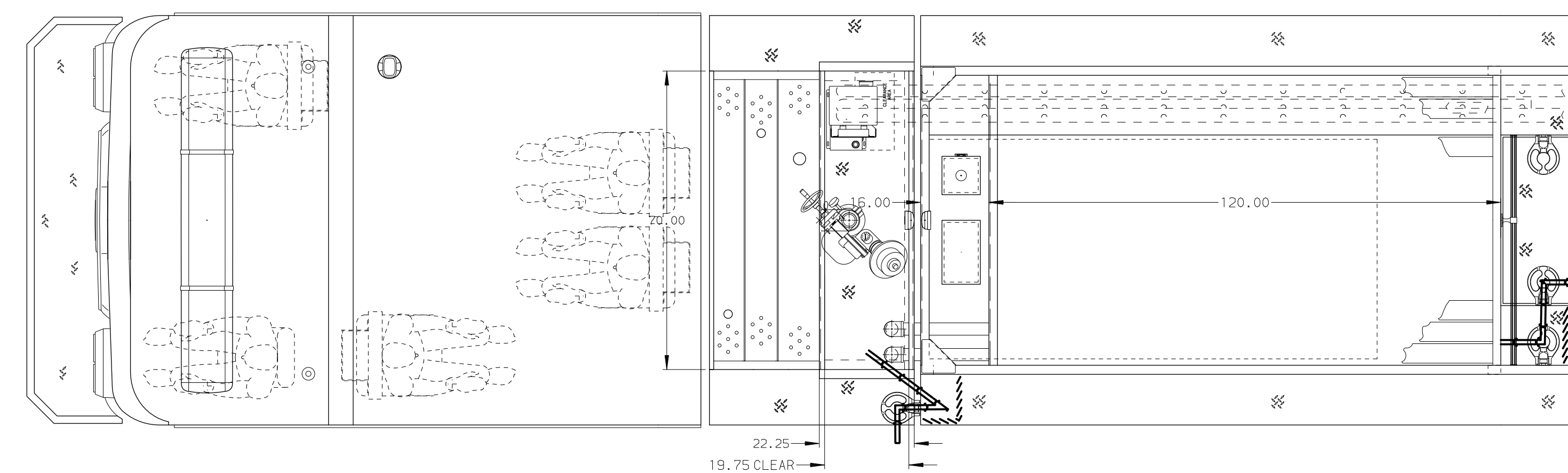
Husky 3 Single Agent Foam System

Foam Cell

20 Gallon Foam Cell, Reduced Water



HOSEBED CAPACITY	
BED 1	200' OF 2.50" D.J. POLY HOSE
BED 2	200' OF 1.75" D.J. POLY HOSE
BED 3	1000' OF 5.00" D.J. POLY HOSE



NOTE
DIMENSIONS SHOWN ARE APPROXIMATE AND ARE SUBJECT TO MINOR DEVIATIONS AS MAY OCCUR OR BE NECESSARY IN CONSTRUCTION. MINOR DETAILS NOT SHOWN.

- ONE 1.50 OUTLET WITH 2.00 PIPING AND SWIVEL LOCATED ON TOP BUMPER LEFT SIDE
- SHORELINE RECEPTACLE WITH KUSSMALL SUPER AUTO-EJECT LOCATED ON DRIVER SIDE OF THE CAB
- AIR INLET WITH DISCONNECT COUPLING LOCATED ON DRIVER SIDE BEHIND CREW CAB RECESSED
- BATTERY CHARGER LOCATED PER ORDER
- BATTERY CHARGE INDICATOR LOCATED ON THE DRIVER SIDE SEAT RISER
- SIX ADJUSTABLE SHELVES LOCATED PER ORDER
- THREE FLOOR MOUNTED SLIDE-OUT TRAY LOCATED PER ORDER
- ONE SWING-OUT TOOLBOARD LOCATED PER SHOP ORDER
- TWO PARTITIONS LOCATED IN TRANS REAR COMPARTMENT PER SHOP ORDER
- ONE VERTICAL PARTITION LOCATED PER SHOP ORDER

- PEGBOARD ON BACK WALL IN COMPARTMENT PER SHOP ORDER
- AUTOMATIC TIRE CHAINS

CUSTOMER APPROVAL			
APPROVED BY:			
DATE:			
CHASSIS DATA	TITLE	Pierce Pumper Approval Drawing	
MAKE	FOR	Benton County Fire Protection District #1	
PIERCE	DWG NO.	38653AD	
MODEL	ENFORCER		
REV	DATE	BY	CH

Pierce MANUFACTURING INC.		JOB NO.	38653
SCALE	1:24	DATE	
DRAWN BY	MMF	DATE	09JAN23
CHECKED BY	COL	DATE	16JAN23
SHEET SIZE	D	SHEET NO.	1 OF 1