

PUMPER BODY

Medium Aluminum 2nd Gen Pumper

CHASSIS

Enforcer Chassis

CHASSIS AXLE, FRONT, CUSTOM

18,000 Lb Dana Axle

AXLE, REAR

27,000 Lb Dana Axle

ENGINE

380 HP Cummins L9 Engine

TRANSMISSION

Allison 5th Gen, 3000 EVS P

BUMPER

22" Extended Stainless Steel

CAB

7000 Enforcer Cab

BODY WATER TANK

750 Gallon Poly Water Tank

COMPT, PUMPER, REAR

37.75" FF Double Door Rear Compt

COMPT, PUMPER, LEFT SIDE

152" Lap Full Height Front & Rear FOLER

COMPT, PUMPER, RIGHT SIDE

152" Lap Full Height Front & Rear FOLER

FIRE SUPPRESSION PUMPHOUSE

42" Control Zone Top Mount

PUMP

1250 GPM Waterous CS

CROSSLAYS, 1.50"

1.50" Crosslays Not Required

CROSSLAYS, 2.50"

2.50" Crosslay Not Required

SPEEDLAYS

(2) 1.50" Std. Capacity, 9" Opening

GENERATOR

Generator Not Required

Foam System

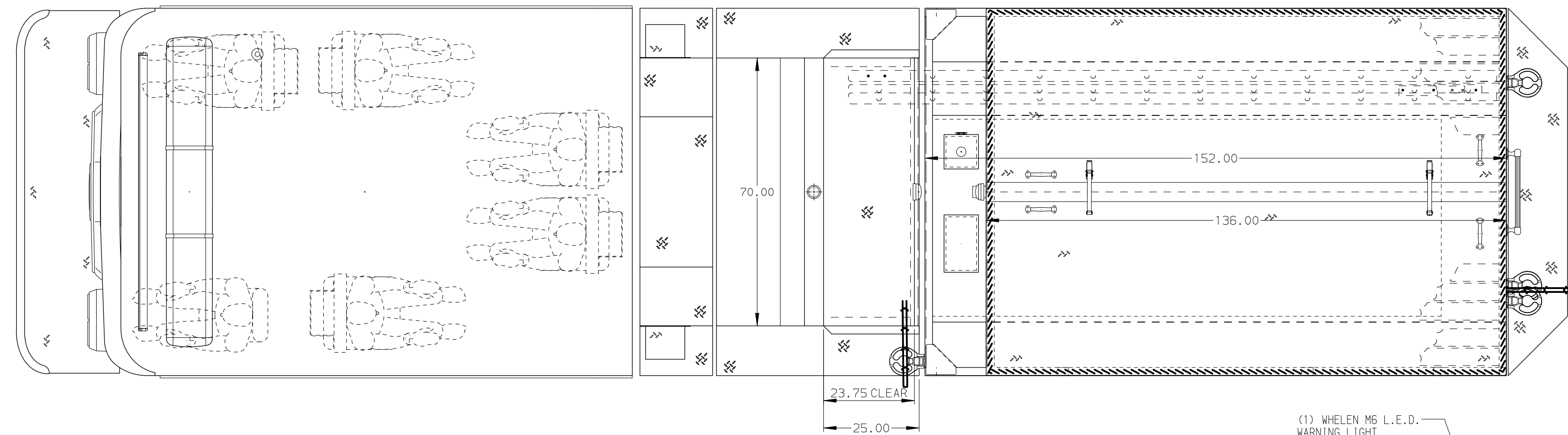
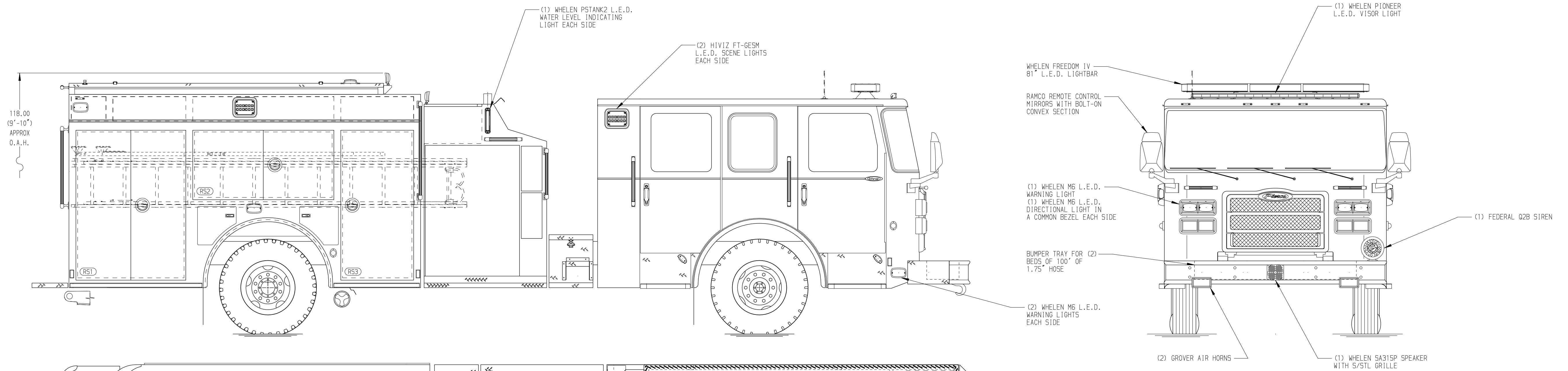
Akron Eductor Foam System

Foam Cell

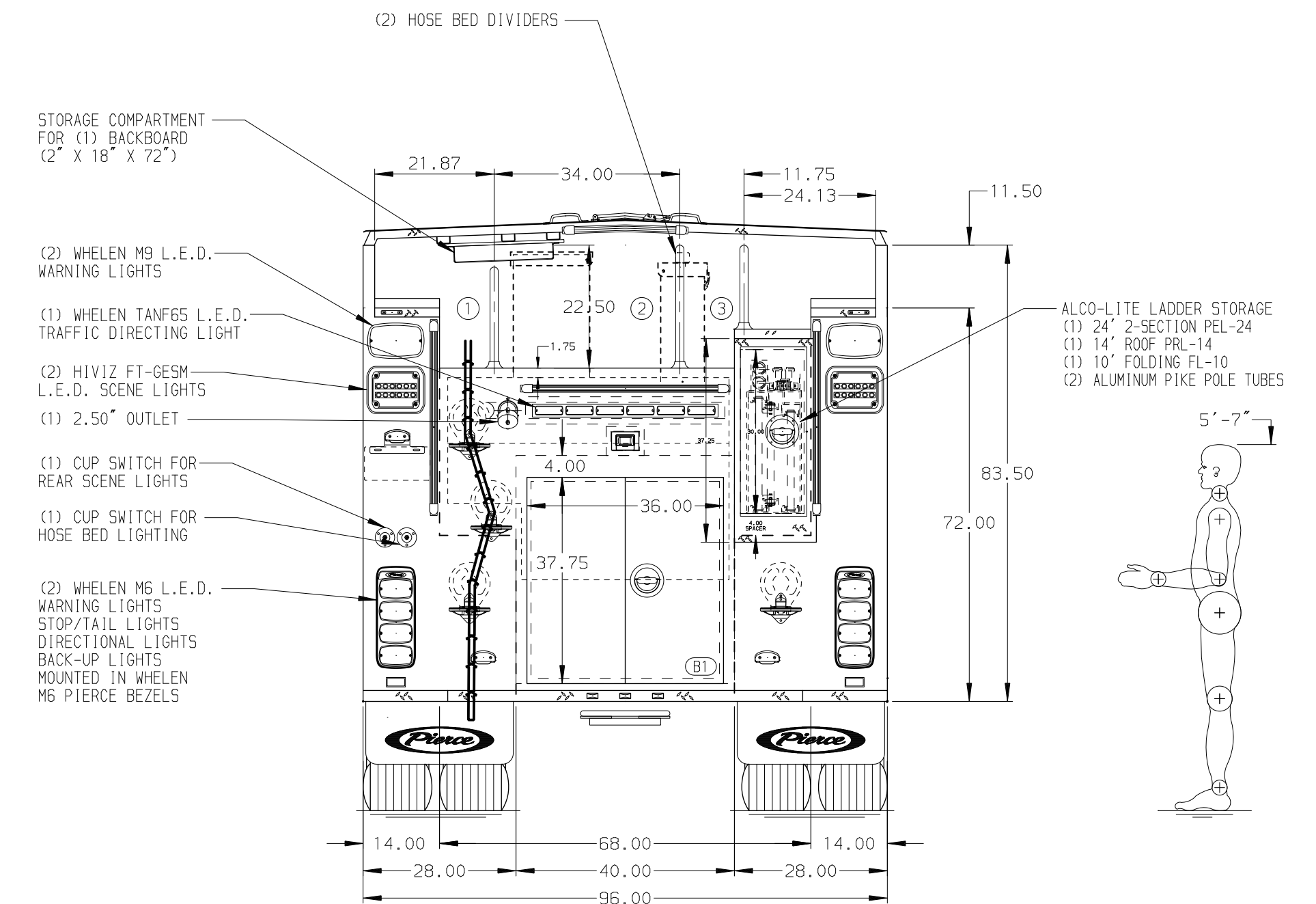
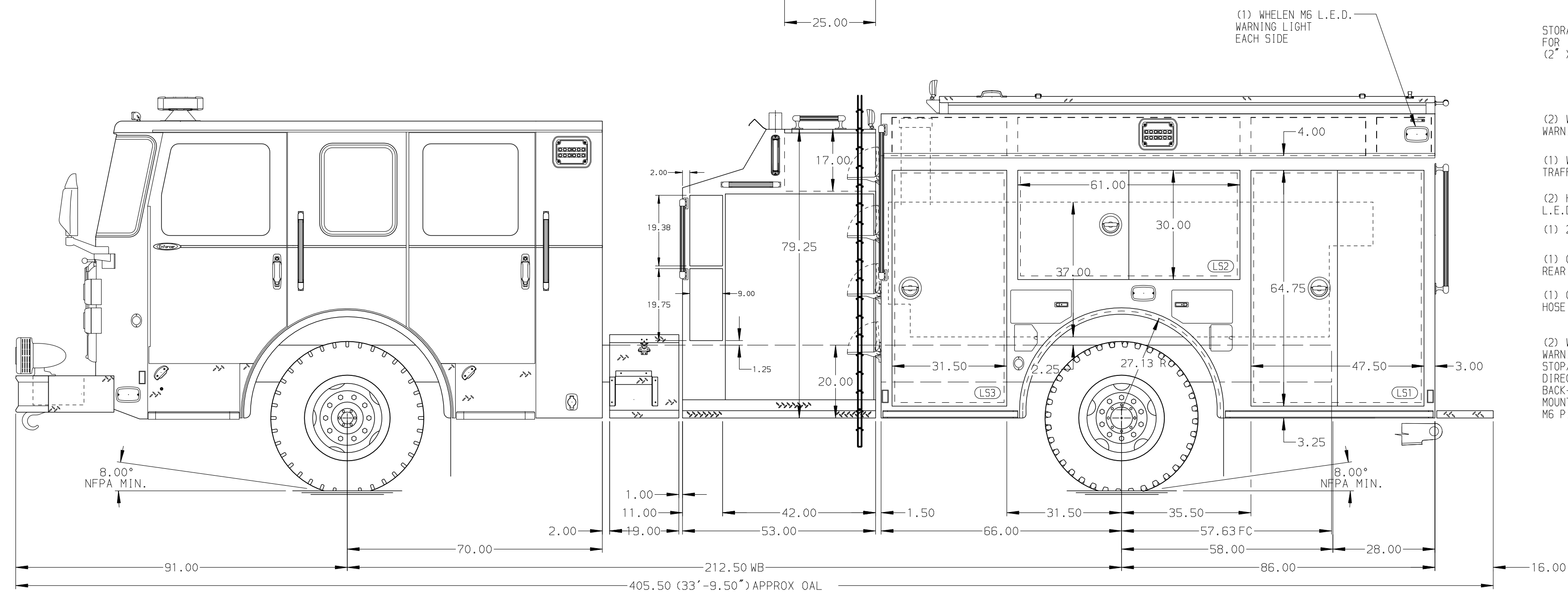
25 Gallon Foam Cell, Not Reduced Water

NOTE
DIMENSIONS SHOWN ARE APPROXIMATE AND ARE SUBJECT TO MINOR DEVIATIONS AS MAY OCCUR OR BE NECESSARY IN CONSTRUCTION. MINOR DETAILS NOT SHOWN.

1. TWO 1.50" OUTLETS WITH 2.00" PIPING AND SWIVEL LOCATED IN BUMPER TRAY
2. SHORELINE RECEPTACLE WITH KUSSMAUL SUPER AUTO-EJECT LOCATED ON DRIVER SIDE OF THE CREW CAB
3. AIR INLET WITH DISCONNECT COUPLING IN THE DRIVER SIDE STEPWELL
4. BATTERY CHARGER LOCATED PER ORDER
5. BATTERY CHARGE INDICATOR LOCATED ON THE DRIVER SIDE SEAT RISER
6. FOUR ADJUSTABLE SHELVES LOCATED PER ORDER
7. THREE FLOOR MOUNTED SLIDE-OUT TRAYS LOCATED PER ORDER
8. ALUMINUM PEGBOARD LOCATED PER ORDER



HOSEBED CAPACITY	
BED 1	200' OF 2.50" D.J. POLY HOSE
BED 2	1000' OF 4.00" D.J. POLY HOSE
BED 3	200' OF 2.50" D.J. POLY HOSE



CUSTOMER APPROVAL

APPROVED BY: _____
DATE: _____



REV	DATE	BY	CH	ENFORCER
-	-	-	-	-

TITLE	Pierce Pumper Approval Drawing
MAKE	-
FOR	BiLoxi Mississippi
MODEL	-
DWG NO.	38661AD

JOB NO.	38661 01-03
SCALE	1:24
DATE	DATE
DRAWN BY	MMF
CHECKED BY	COL
SHEET SIZE	D
SHEET NO.	1 OF 1