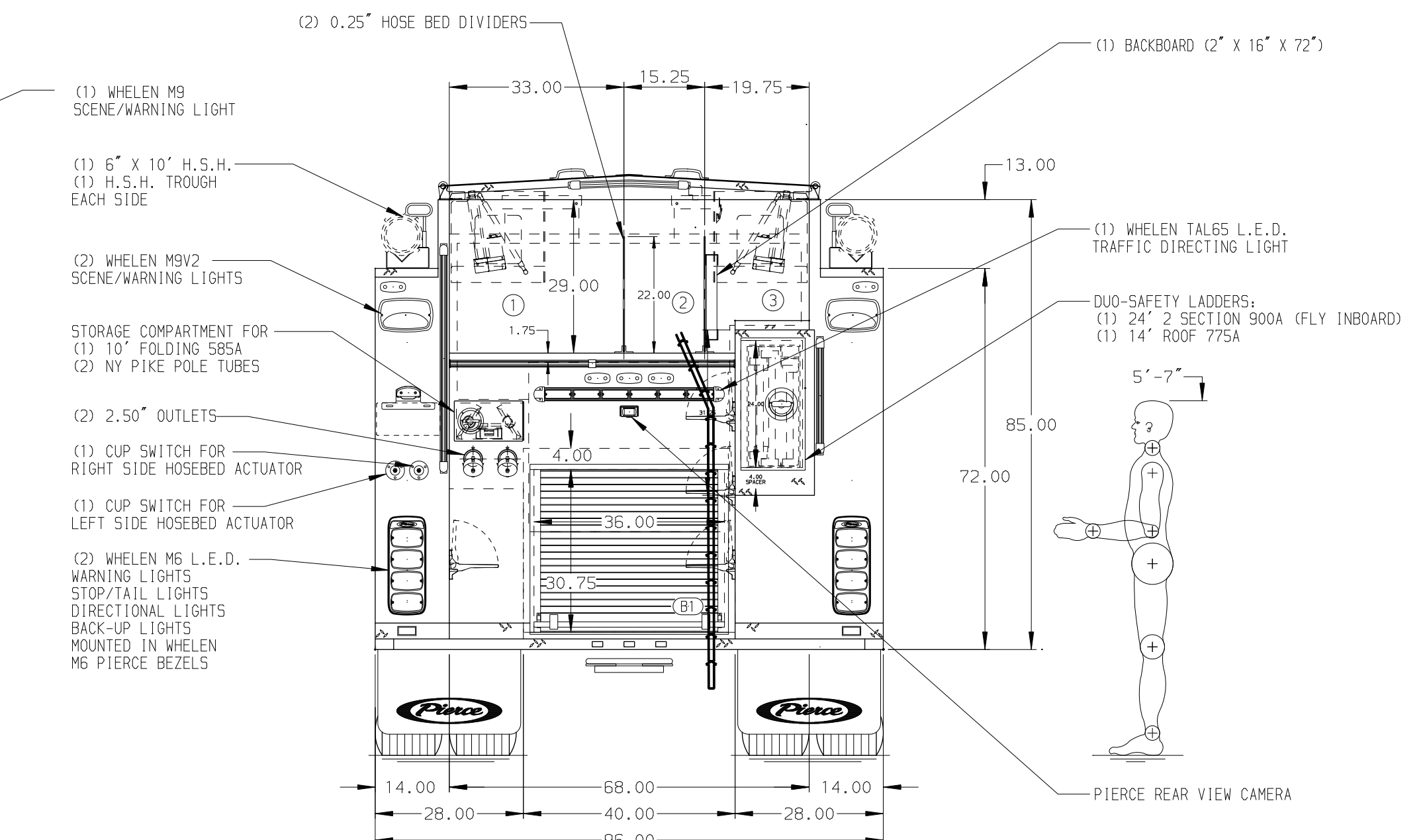


- HOSEBED CAPACITIES
- ① 800' OF 5.00" D.J. POLY HOSE
 - ② 500' OF 2.50" D.J. POLY HOSE
 - ③ 500' OF 2.50" D.J. POLY HOSE



ALUMINUM BODY

NOTE
DIMENSIONS SHOWN ARE APPROXIMATE AND ARE SUBJECT TO MINOR DEVIATIONS AS MAY OCCUR OR BE NECESSARY IN CONSTRUCTION. MINOR DETAILS NOT SHOWN.

1. ONE 1.50 OUTLET WITH 2.00 PIPING AND SWIVEL LOCATED ON TOP BUMPER LEFT SIDE
2. SHORELINE RECEPTACLE WITH KUSSMAUL SUPER AUTO-EJECT LOCATED ON DRIVER SIDE STEP WELL
3. BATTERY CHARGER LOCATED IN PER SHOP ORDER
4. BATTERY CHARGE INDICATOR LOCATED ON THE DRIVER SIDE STEP WELL
5. NINE ADJUSTABLE SHELVES IN COMPARTMENTS PER SHOP ORDER
6. ONE FLOOR MOUNTED SLIDE-OUT TRAY IN COMPARTMENT PER SHOP ORDER
7. ONE SLIDE-OUT TRAY LOCATED PER SHOP ORDER
8. ONE SWING-OUT TOOLBOARD LOCATED PER SHOP ORDER
9. PAC TRAC ON BACK WALL LOCATED PER SHOP ORDER
10. WHEEL CHECKS AND BRACKETS PROVIDED BY FIRE DEPARTMENT

CUSTOMER APPROVAL

APPROVED BY:	
DATE:	
CHASSIS DATA	TITLE
MAKE	FOR
PIERCE	DWG NO.
MODEL	
ENFORCER	



1500-D-565 WATER/30 FOAM, 152" BODY, SIDE CONTROL CROSSLAYS, DELUGE, FOAM SYSTEM, LADDER COMPARTMENT

STOCKTON FIRE DEPARTMENT
GOLDEN STATE FIRE APPARATUS, INC

38685AD

JOB NO.	38685
SCALE	DATE
1:24	
DRAWN BY	31MAR22
COL	
CHECKED BY	19APR22
MMF	
SHEET SIZE	SHEET NO.
D	1 OF 1