

PUMPER BODY

Medium Aluminum 2nd Gen Pumper

CHASSIS

Sober FR Chassis

CHASSIS AXLE, FRONT, CUSTOM

18,000 Lb Dana Axle

AXLE, REAR

24,000 Lb Dana Axle

ENGINE

450 HP Cummins L9 Engine

TRANSMISSION

Allison 5th Gen, 3000 EVS P

BUMPER

22" Extended Painted Steel

CAB

6010 Sober FR Cab

BODY

WATER TANK

500 Gallon Poly Water Tank

COMPT, PUMPER, REAR

30.75" FF RollUp Rear Compt

COMPT, PUMPER, LEFT SIDE

152" RollUp Full Height Front & Rear FDLR

COMPT, PUMPER, RIGHT SIDE

152" RollUp Full Height Front & Rear FDLR

FIRE SUPPRESSION PUMPHOUSE

45" Control Zone Side Mount

PUMP

1500 GPM Waterous CSU

CROSSLAYS, 1.50"

(2) 1.50" Standard Capacity

CROSSLAYS, 2.50"

2.50" Crosslay Not Required

SPEEDLAYS

Speedlays Not Required

GENERATOR

Generator Not Required

Foam System

Foam System Not Required

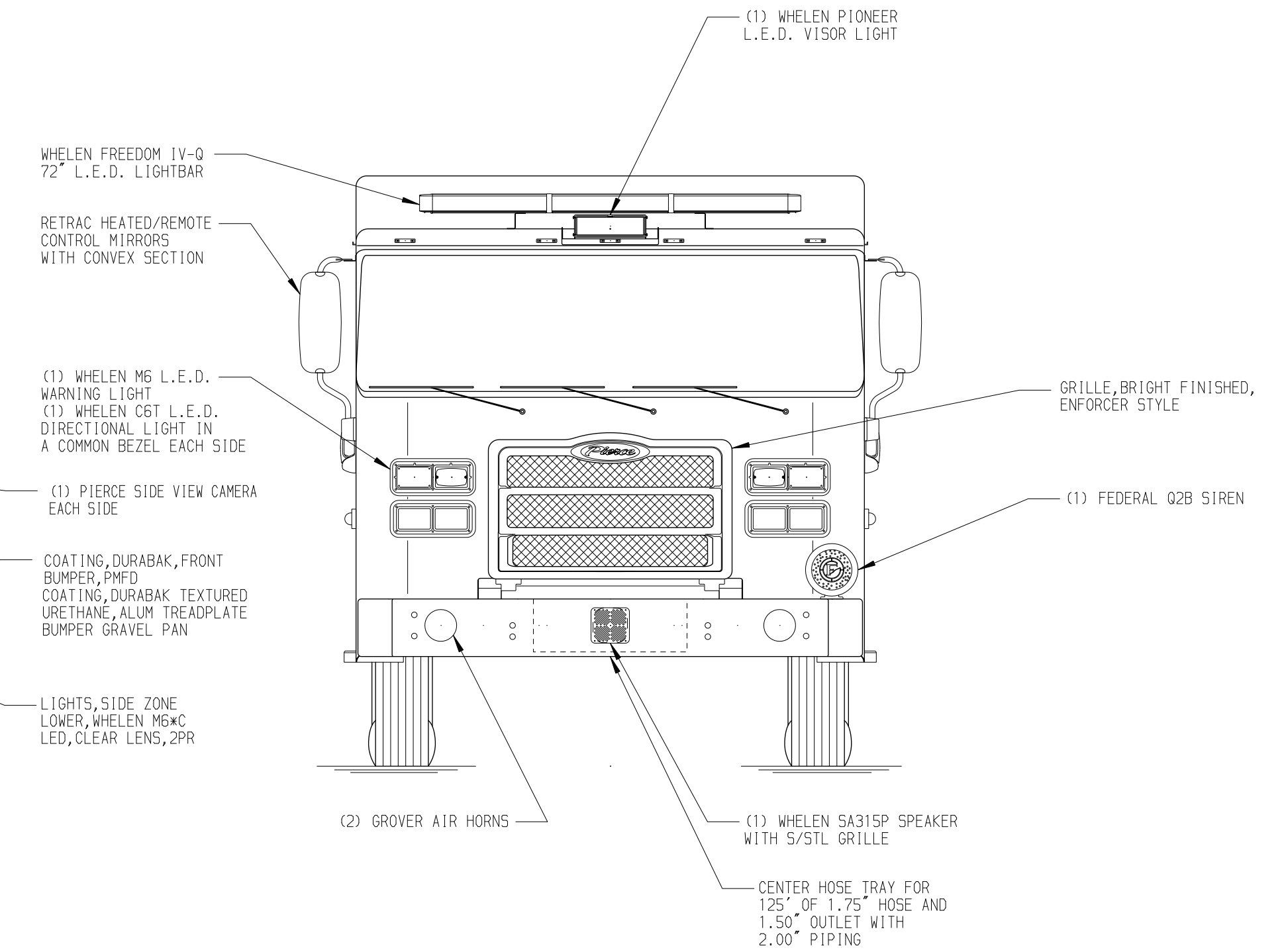
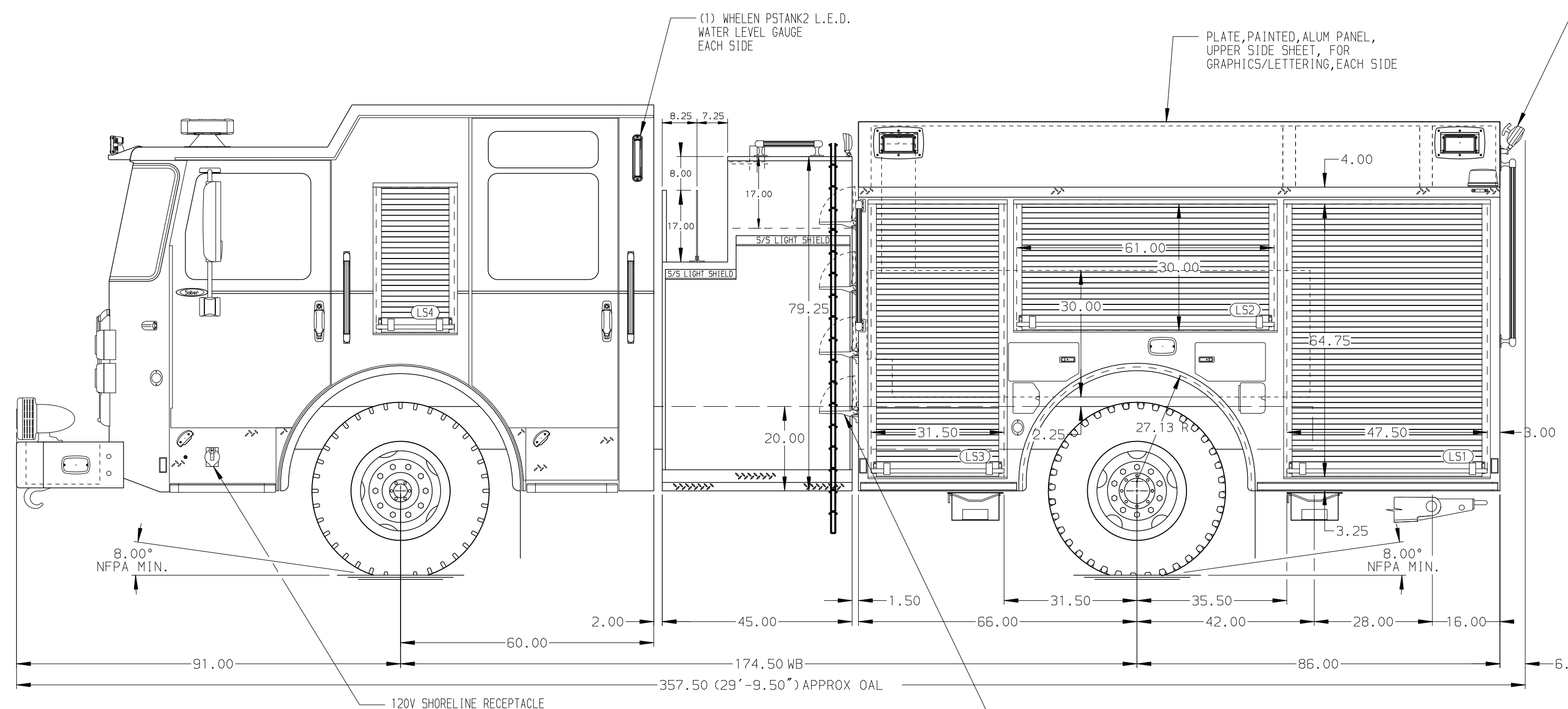
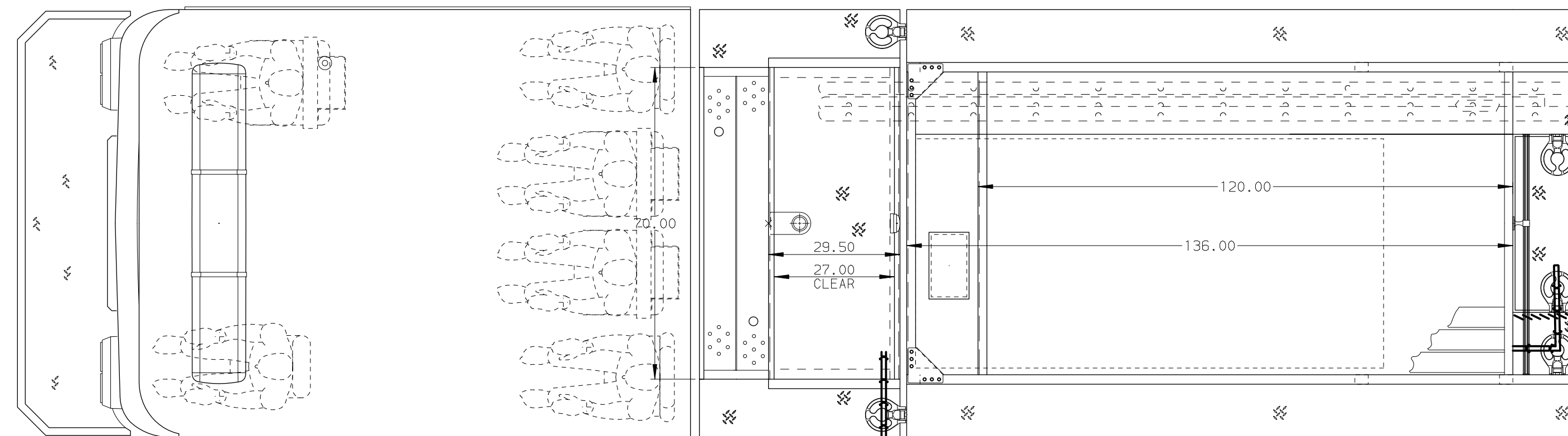
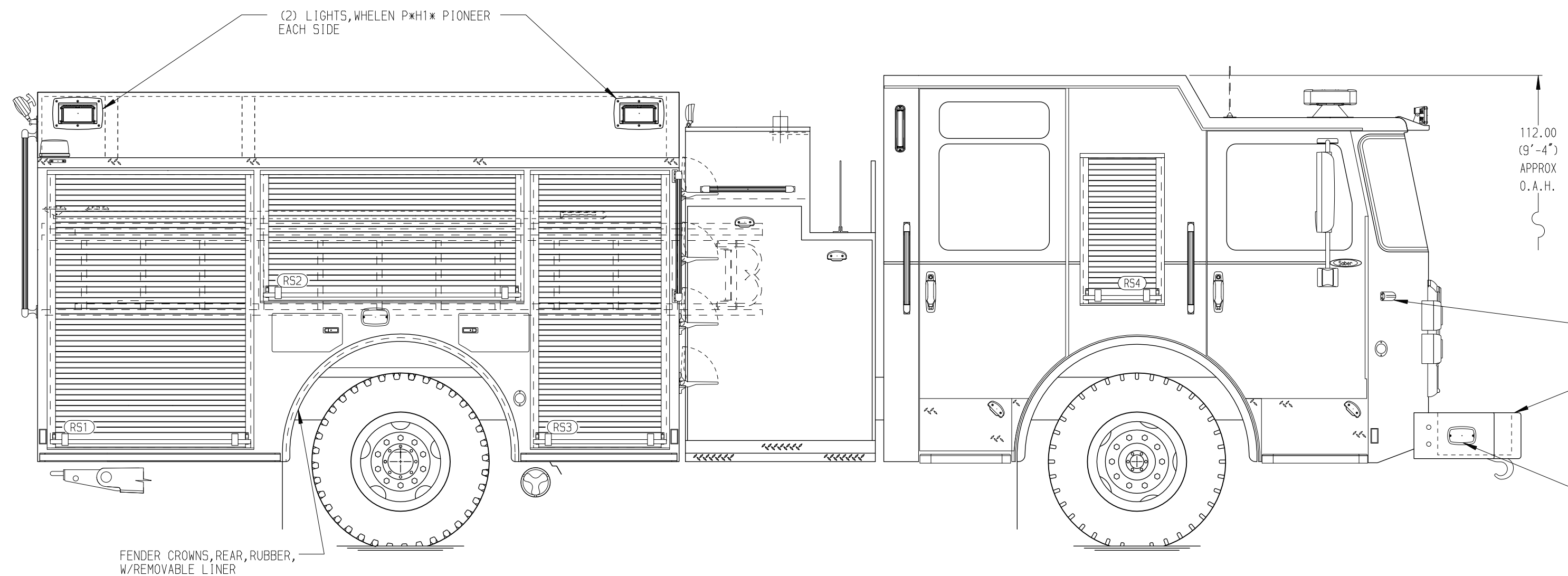
Foam Cell

Foam Cell Not Required

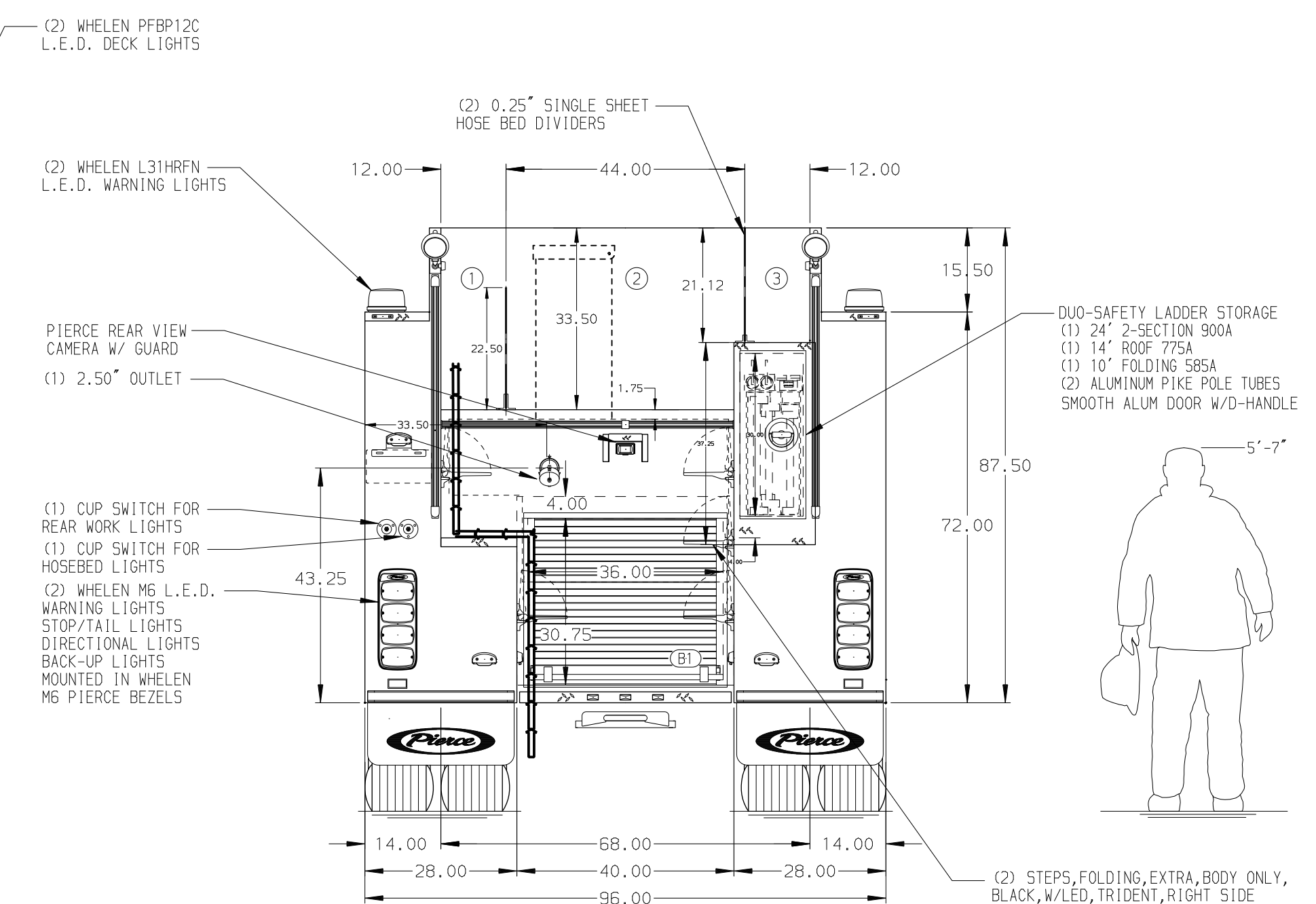
Side Roll and Frontal Impact Protection

NOTE

DIMENSIONS SHOWN ARE APPROXIMATE AND ARE SUBJECT TO MINOR DEVIATIONS AS MAY OCCUR OR BE NECESSARY IN CONSTRUCTION. MINOR DETAILS NOT SHOWN.



HOSEBED CAPACITY	
BED 1	500' OF 3.00" D.J. POLY HOSE
BED 2	1000' OF 5.00" D.J. POLY HOSE
BED 3	500' OF 3.00" D.J. POLY HOSE



CUSTOMER APPROVAL

APPROVED BY: _____
DATE: _____

REV	DATE	BY	CH	SABER FR

		JOB NO.	38699
		SCALE	DATE
TITLE	Pierce Pumper Approval Drawing	DRAWN BY	MMF
MAKE	PIERCE	CHECKED BY	COL
FOR	Clinton Fire Department	SHEET SIZE	SHEET NO.
MODEL	DWG NO.	38699AD	
		D	1 OF 1