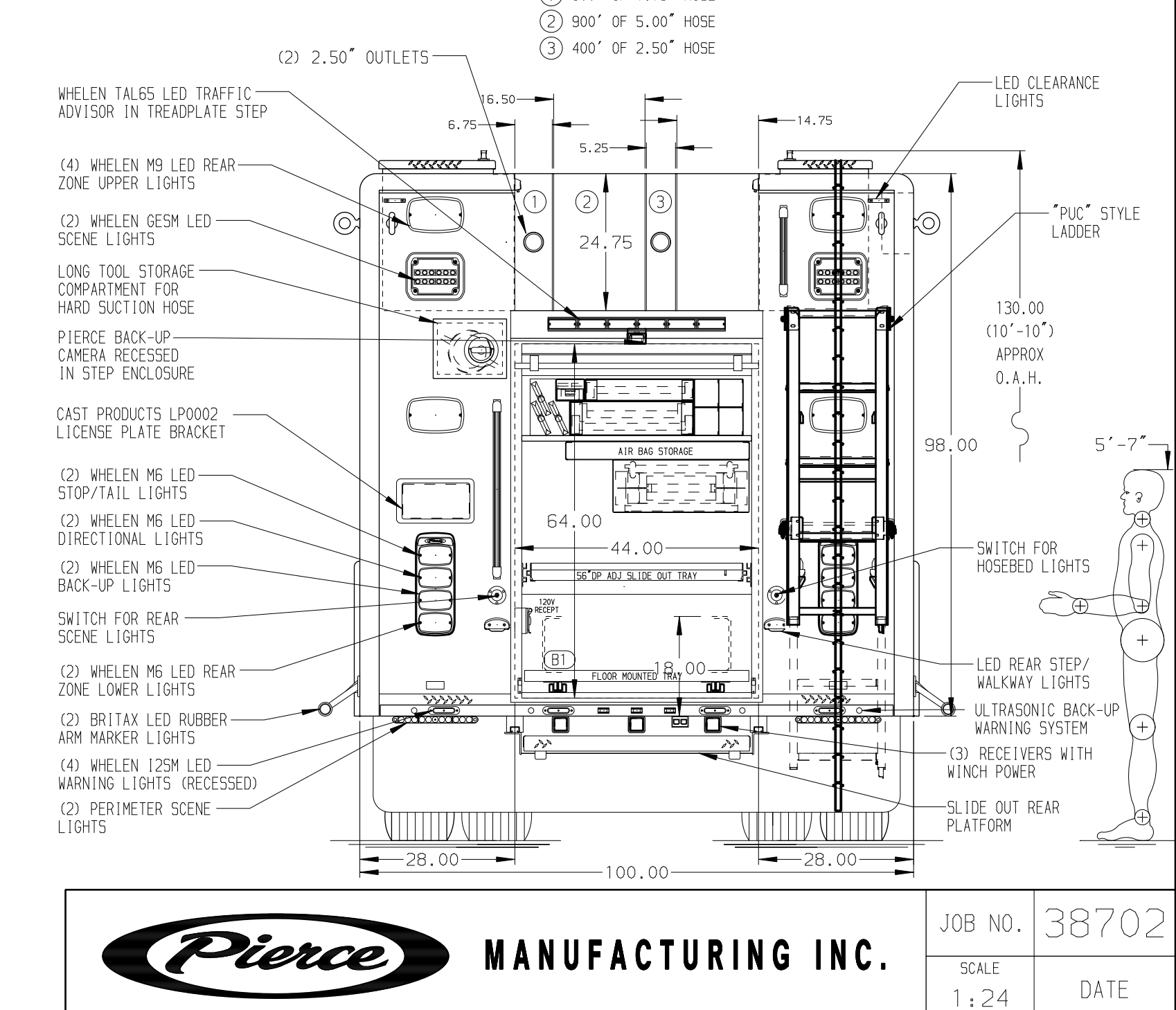
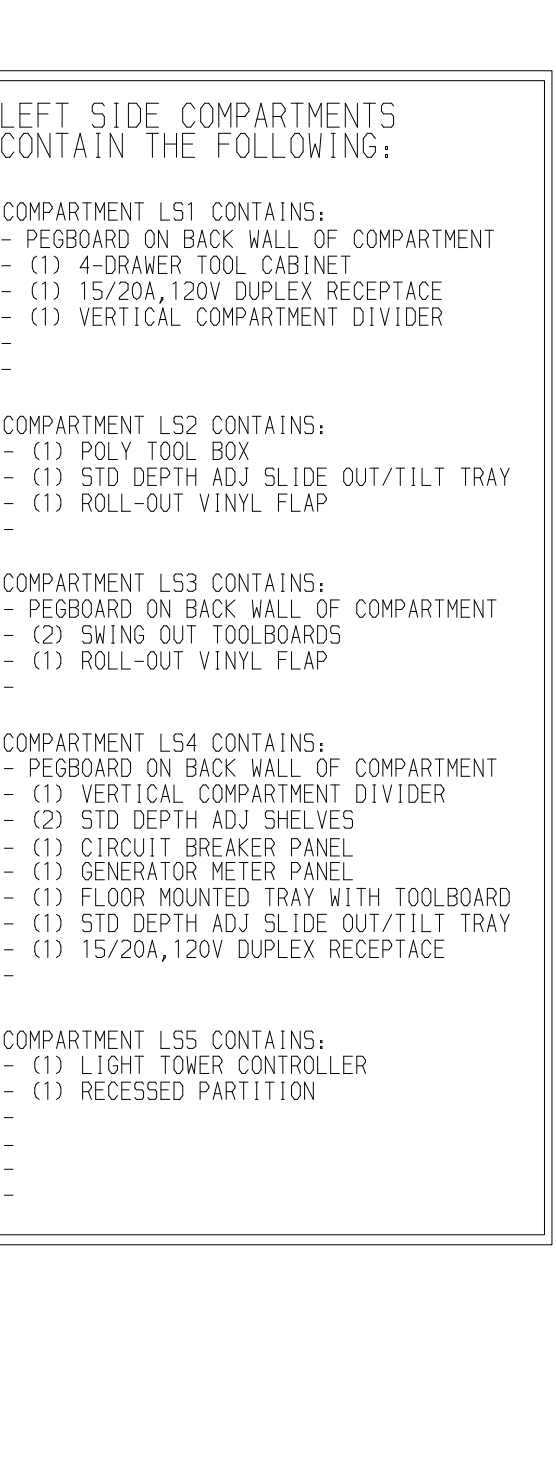
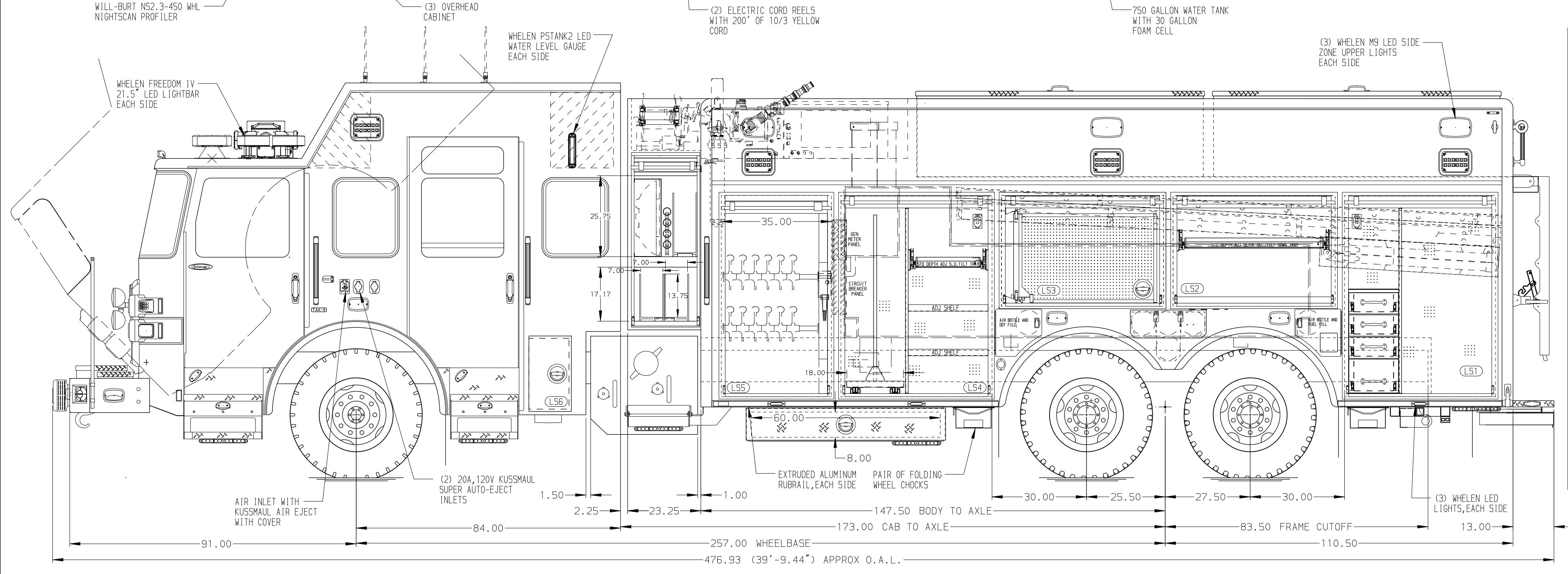
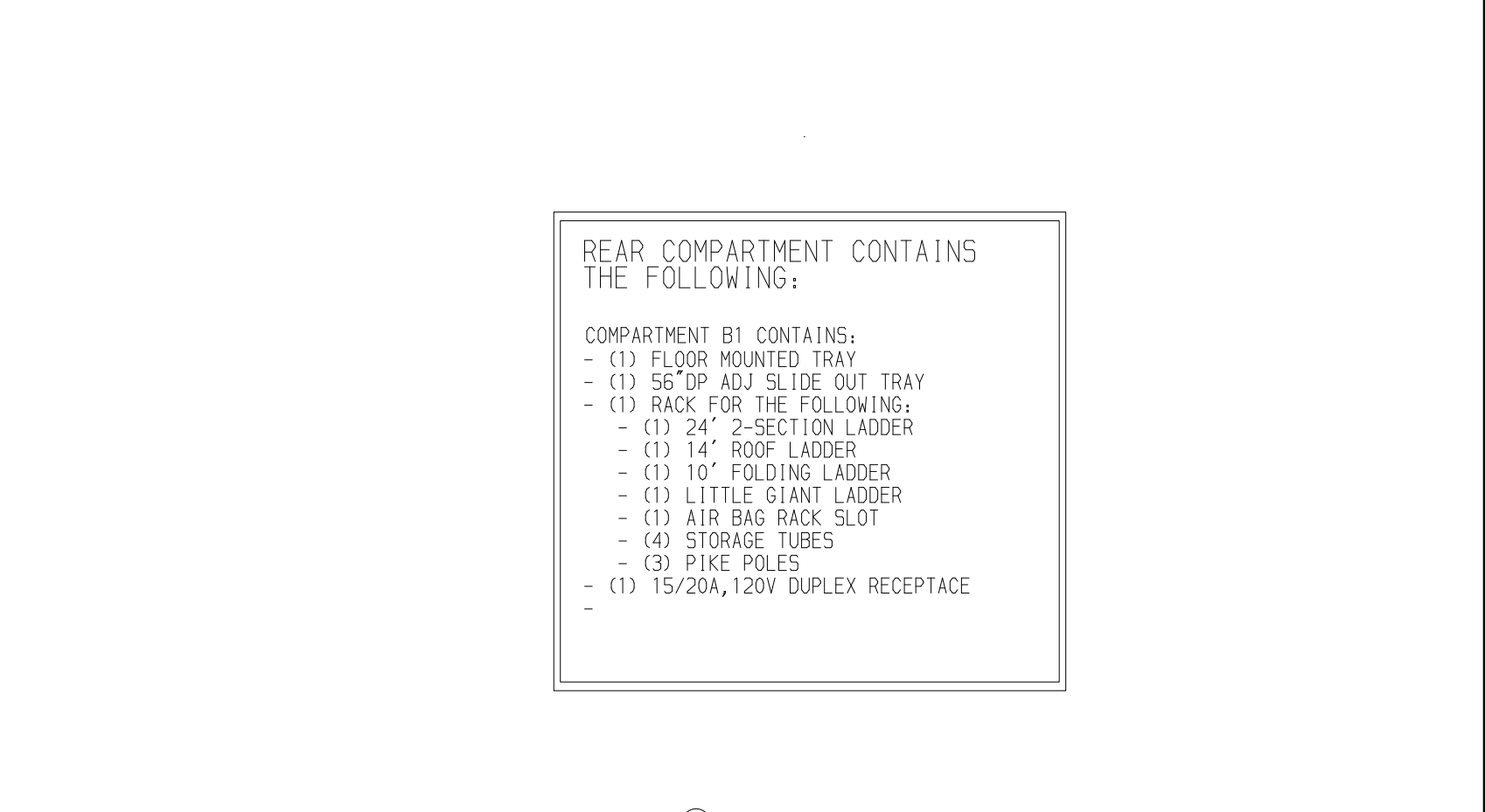
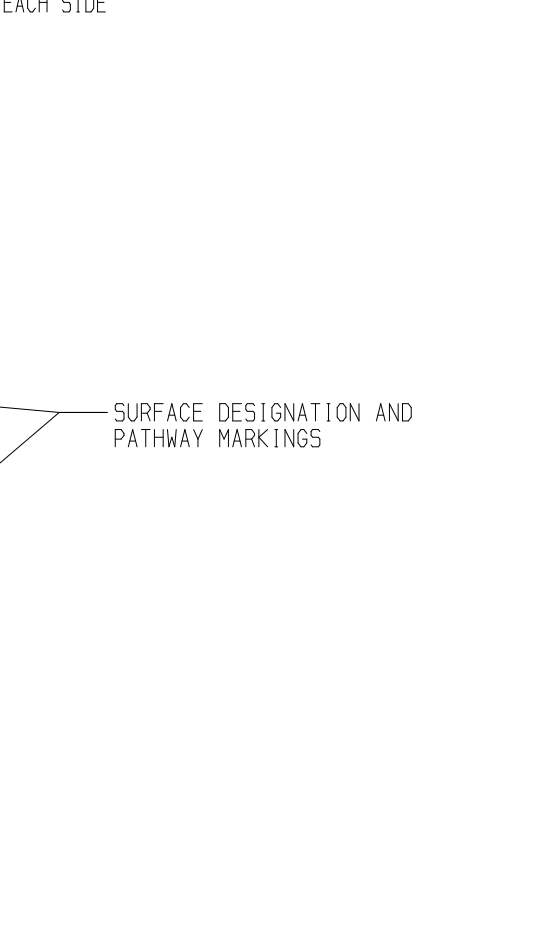
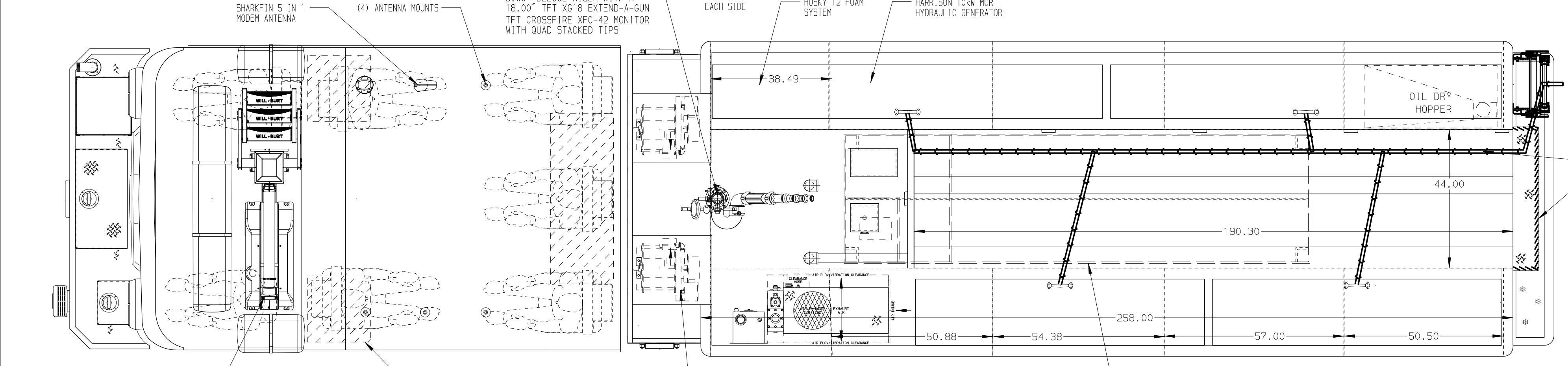
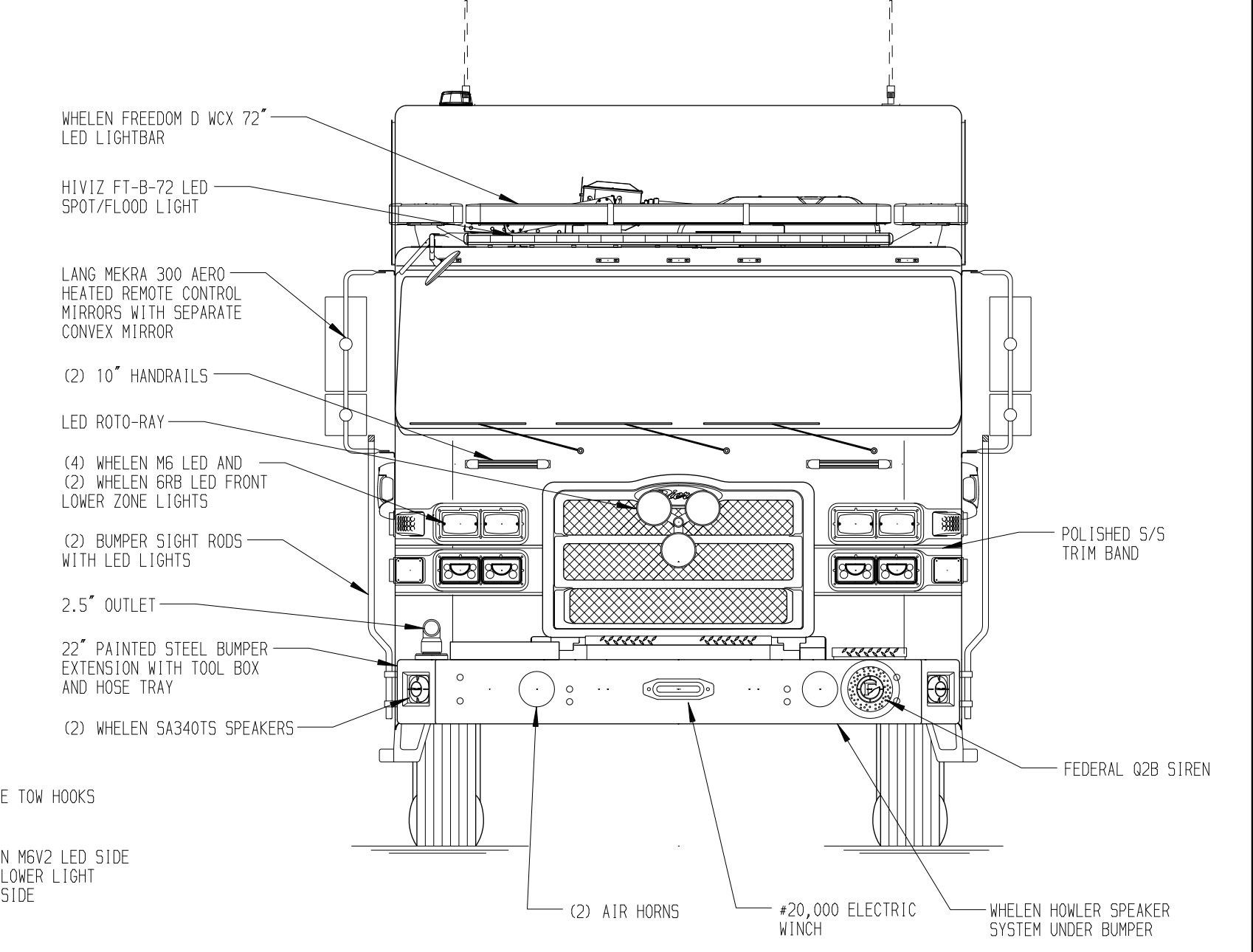
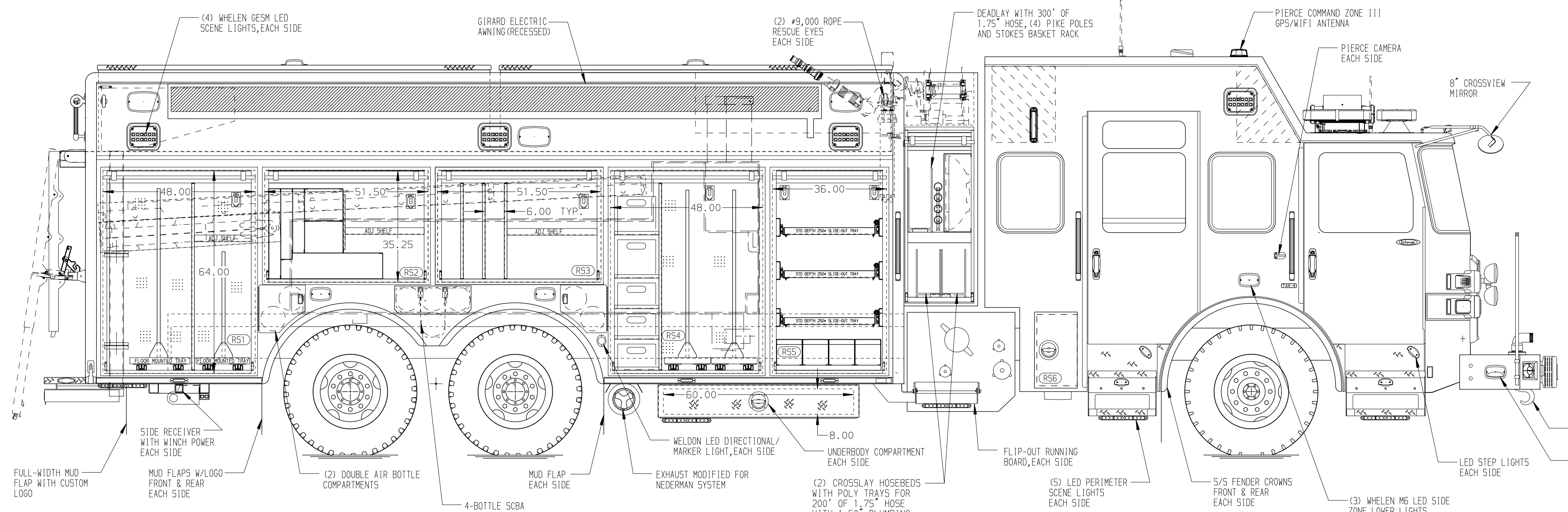


- RIGHT SIDE COMPARTMENTS CONTAIN THE FOLLOWING:**
- COMPARTMENT RS1 CONTAINS:**
- (1) VERTICAL COMPARTMENT DIVIDER
 - PEGBOARD ON BACK WALL OF COMPARTMENT
 - (1) OIL DRY HOPPER
 - (1) STD DEPTH ADJ SHELF
 - (1) 15/20A, 120V DUPLEX RECEPTACE
 - (2) FLOOR MOUNTED TRAYS WITH TOOLBOARDS
- COMPARTMENT RS2 CONTAINS:**
- (1) 6-SLOT STORAGE RACK
 - (1) STD DEPTH ADJ SHELF
 - (1) ROLL-OUT VINYL FLAP
 - (1) VERTICAL COMPARTMENT DIVIDER
 - (1) 15/20A, 120V DUPLEX RECEPTACE
- COMPARTMENT RS3 CONTAINS:**
- (1) ROLL-OUT VINYL FLAP
 - (3) VERTICAL COMPARTMENT DIVIDERS
 - (1) STD DEPTH ADJ SHELF
 - (1) 15/20A, 120V DUPLEX RECEPTACE
- COMPARTMENT RS4 CONTAINS:**
- PEGBOARD ON BACK WALL OF COMPARTMENT
 - (4) STD DEPTH ADJ SHELVES
 - (1) VERTICAL COMPARTMENT DIVIDER
 - (2) FLOOR MOUNTED TRAYS WITH TOOLBOARDS
 - (1) 15/20A, 120V DUPLEX RECEPTACE
 - (5) POLY TOOL BOXES
- COMPARTMENT RS5 CONTAINS:**
- (1) RACK FOR 4 EXTINGUISHERS
 - (3) STD DEPTH ADJ SLIDE OUT TRAYS
 - (2) 15/20A, 120V DUPLEX RECEPTACES



NOTE
DIMENSIONS SHOWN ARE APPROXIMATE AND ARE SUBJECT TO MINOR DEVIATIONS AS MAY OCCUR OR BE NECESSARY IN CONSTRUCTION. MINOR DETAILS NOT SHOWN.

- NOTES:**
- PIERCE 1500 GPM PUC STYLE WATER PUMP
 - ONSPOT AUTOMATIC TIRE CHAINS
 - WARN #10,000 PORTABLE RECEIVER STYLE WINCH
 - BRUSHED 5/5 SCUFFPLATES ON CAB AND CREW CAB DOORS
 - FLOOR IN CAB AND CREW CAB TO BE ALUMINUM TREADPLATE
 - KUSSMAUL 1200 CHARGER LOCATED BEHIND THE DRIVER'S SEAT
 - #9,000 RECEIVER STYLE ROPE ANCHOR
 - 5/5 GUARDS ON ALL BODY ROLL-UP DOORS
 - PULL STRAPS ON ALL BODY ROLL-UP DOORS
 - PIERCE LED LIGHTS LOCATED IN ALL BODY AND HATCH COMPARTMENTS
 - DRI-DECK MATTING ON FLOORS IN COMPARTMENTS PER ORDER
 - DRI-DECK MATTING ON ALL COMPARTMENT SHELVES AND TRAYS
 - BATTERY CHARGE INDICATOR LOCATED ON DRIVER'S SEAT RISER
 - (1) 15/20A, 120V DUPLEX RECEPTACLE OVER DRIVER'S SIDE FORWARD FACING CREW CAB SEAT
 - (1) 15/20A, 120V 6-PLACE RECEPTACLE STRIP BEHIND OFFICER'S SEAT

- LEFT SIDE COMPARTMENTS CONTAIN THE FOLLOWING:**
- COMPARTMENT LS1 CONTAINS:**
- PEGBOARD ON BACK WALL OF COMPARTMENT
 - (1) 4-DRAWER TOOL CABINET
 - (1) 15/20A, 120V DUPLEX RECEPTACE
 - (1) VERTICAL COMPARTMENT DIVIDER
- COMPARTMENT LS2 CONTAINS:**
- (1) POLY TOOL BOX
 - (1) STD DEPTH ADJ SLIDE OUT/TILT TRAY
 - (1) ROLL-OUT VINYL FLAP
- COMPARTMENT LS3 CONTAINS:**
- PEGBOARD ON BACK WALL OF COMPARTMENT
 - (2) SWING OUT TOOLBOARDS
 - (1) ROLL-OUT VINYL FLAP
- COMPARTMENT LS4 CONTAINS:**
- PEGBOARD ON BACK WALL OF COMPARTMENT
 - (1) VERTICAL COMPARTMENT DIVIDER
 - (2) STD DEPTH ADJ SHELVES
 - (1) CIRCUIT BREAKER PANEL
 - (1) GENERATOR METER PANEL
 - (1) FLOOR MOUNTED TRAY WITH TOOLBOARD
 - (1) STD DEPTH ADJ SLIDE OUT/TILT TRAY
 - (1) 15/20A, 120V DUPLEX RECEPTACE
- COMPARTMENT LS5 CONTAINS:**
- (1) LIGHT TOWER CONTROLLER
 - (1) RECESSED PARTITION



AMORR ROLL UP DOORS	2-1/4"								
CURTILE ROLL UP DOORS	2-1/2"								
PIERCE DOUBLE LIP DOORS	4-1/4"	20FEB24	DHE	AZU					
PIERCE LIFT-UP LAP DOORS	1-1/2"	21DEC23	DHE	AZU	PIERCE				
(EX: 60" F-F - 2 1/4" = 57 3/4" CLEAR) (F-F) = FRAME TO FRAME		100CT23	DHE	AZU					
REV	DATE	BY	CH	ENFR8424					

Pierce MANUFACTURING INC.

JOB NO. 38702

SCALE 1:24 DATE

TITLE HEAVY DUTY RESCUE RESCUE PUC W/750 GAL WATER TANK 30 GAL FOAM CELL

FOR TALLMAN FIRE DISTRICT BID #573 JEREMY COHAN

DWG NO. 38702AD

DRAWN BY DHE 22AUG23

CHECKED BY AZU 29AUG23

SHEET SIZE D SHEET NO. 1 OF 1

(SIDE ROLL & FRONTAL IMPACT PROTECTION)