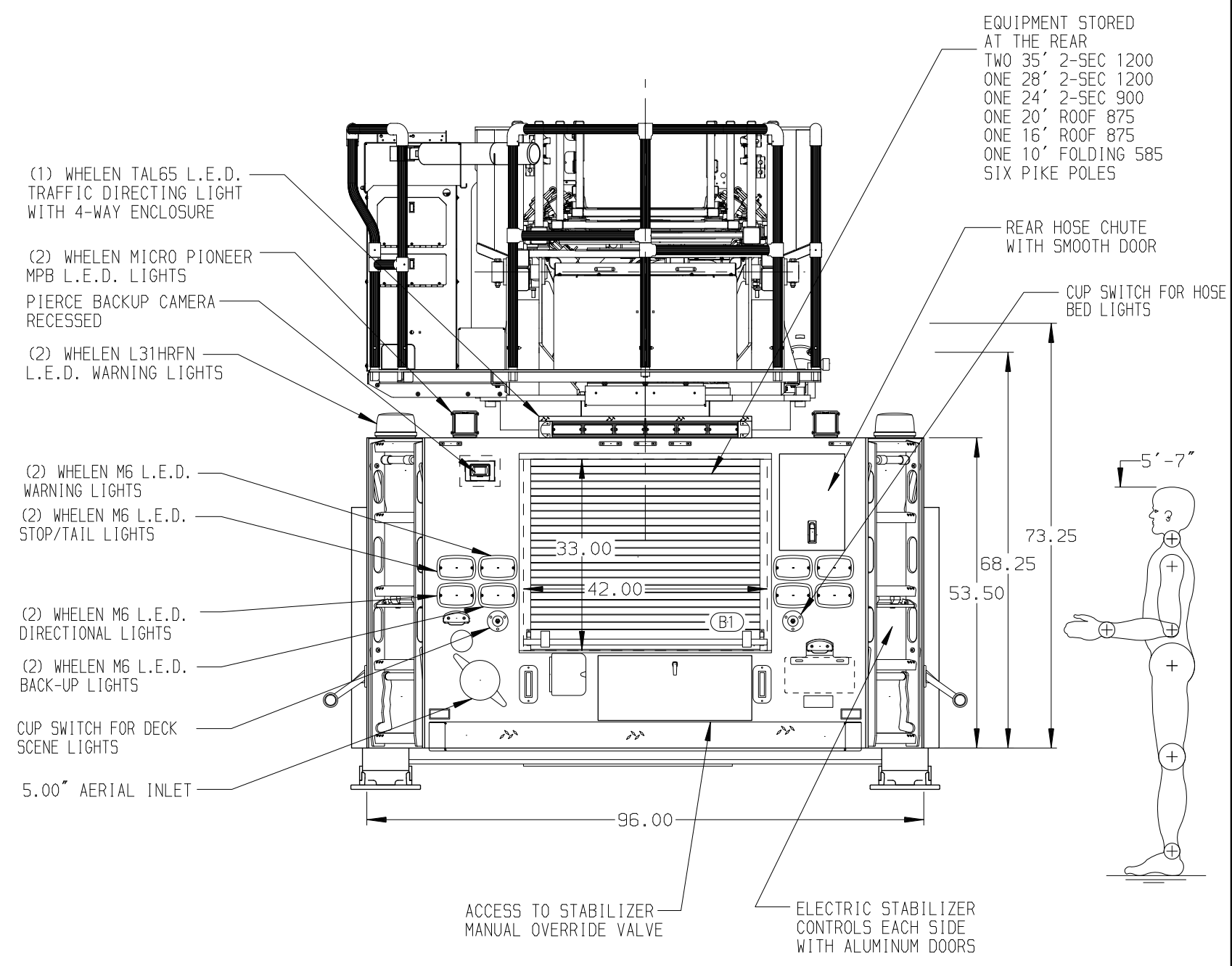
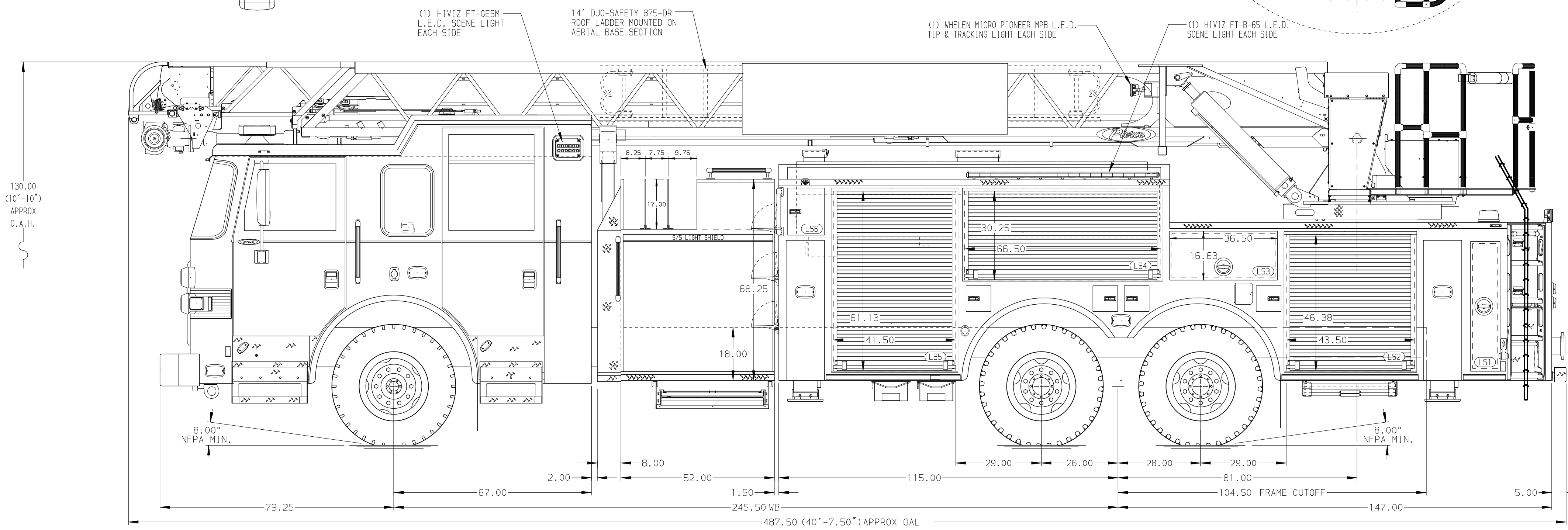


BODY	WATER TANK
107' ASL Tandem Axle Aluminum Body	430 Gallon Notched Poly Water Tank
COMPT, LEFT SIDE FRONT	Foam System
FH/FD RollUp Forward w/o Chute	Plumbing for Future Husky Foam System
COMPT, LEFT SIDE REAR	Foam Cell
FH/FD RollUp and Lift-up Rearward	20 Gallon Foam Cell, Reduced Water
COMPT, RIGHT SIDE FRONT	
Full Height RollUp Forward	
COMPT, RIGHT SIDE REAR	
Full Height RollUp and Lift-up Rearward	



CHASSIS	CAB	AXLE, FRONT, CUSTOM	TRANSMISSION	PUMPHOUSE	CROSSLAYS, 1.50"	SPEEDLAYS	SAFETY
Arrow XT Chassis 510 HP Paccor MX13 Engine	6710 Deep Notched Arrow XT Cab 10" Extended Painted Steel	21,500 Lb Meritor Axle 52,000 Lb Meritor Axle	Allison 5th Gen, 4500 EVS P	52" Control Zone Side Mount 2000 GPM Waterous CSU	(2) 1.50" Standard Capacity CROSSLAYS, 2.50" (1) 2.50" Standard Capacity	Speedlays Not Required GENERATOR Generator Not Required	Side Roll and Frontal Impact Protection
NOTE DIMENSIONS SHOWN ARE APPROXIMATE AND ARE SUBJECT TO MINOR DEVIATIONS AS MAY OCCUR OR BE NECESSARY IN CONSTRUCTION. MINOR DETAILS NOT SHOWN.							
1. 2-WAY INTERCOM SYSTEM BETWEEN AERIAL TIP OR PLATFORM AND TURNTABLE 2. SHORELINE RECEPTACLE WITH KUSSMAUL SUPER AUTO-EJECT LOCATED ON DRIVER SIDE OF THE CAB 3. AIR INLET WITH DISCONNECT COUPLING IN THE DRIVER SIDE STEPWELL 4. BATTERY CHARGER LOCATED IN CAB PER SHOP ORDER 5. BATTERY CHARGE INDICATOR LOCATED NEAR DRIVER SEAT RISER WITH BRACKET 6. FIVE ADJUSTABLE SHELVES IN COMPARTMENTS PER SHOP ORDER 7. FOUR FLOOR MOUNTED SLIDE-OUT TRAYS IN COMPARTMENTS PER SHOP ORDER 8. 1.00" RAISED AERIAL PEDESTAL 9. LIFTING EYE ROPE RESCUE ATTACHMENT AT AERIAL TIP 10. 1500 GPM HIGH FLOW WATERWAY		11. DRIP PAN GUARDS OVER ROLL DOORS PER SHOP ORDER 12. ONE SWING-OUT TOOLBOARD IN COMPARTMENT PER SHOP ORDER 13. 21.00" AERIAL LIMITED RETRACTION 14. STABILIZER COMPARTMENTS MODIFIED FOR 16" SPREAD, 18" GROUND PENETRATION 15. RUNG LIGHTING ON AERIAL LADDER					

		JOB NO.	38708		
		SCALE	DATE		
CHASSIS DATA MAKE PIERCE MODEL ARROW XT	TITLE	100' LSL AERIAL LADDER AND BODY ASSEMBLY	DRAWN BY	ANZ	18APR22
	FOR	PIERCE FIELD UNIT APPLETON, WISCONSIN	CHECKED BY	ZCH	18APR22
	DWG NO.	38708AD	SHEET SIZE	D	SHEET NO.