

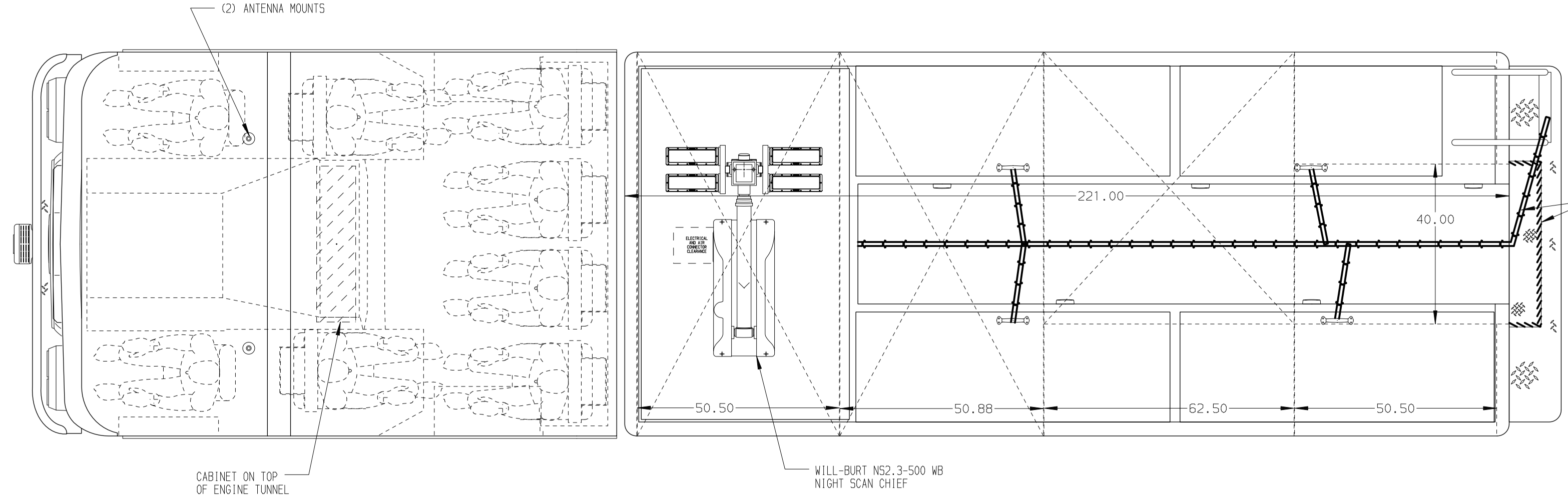
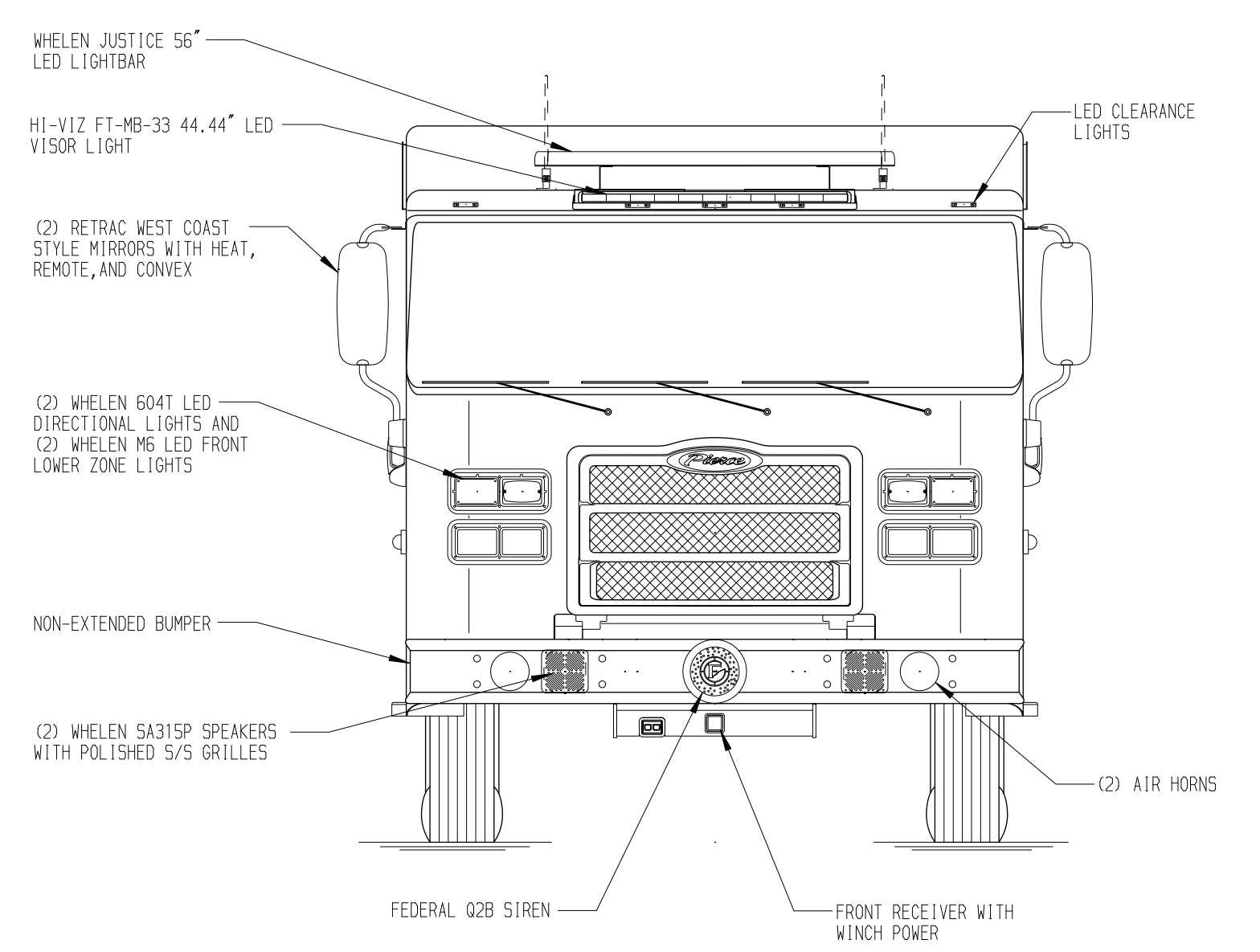
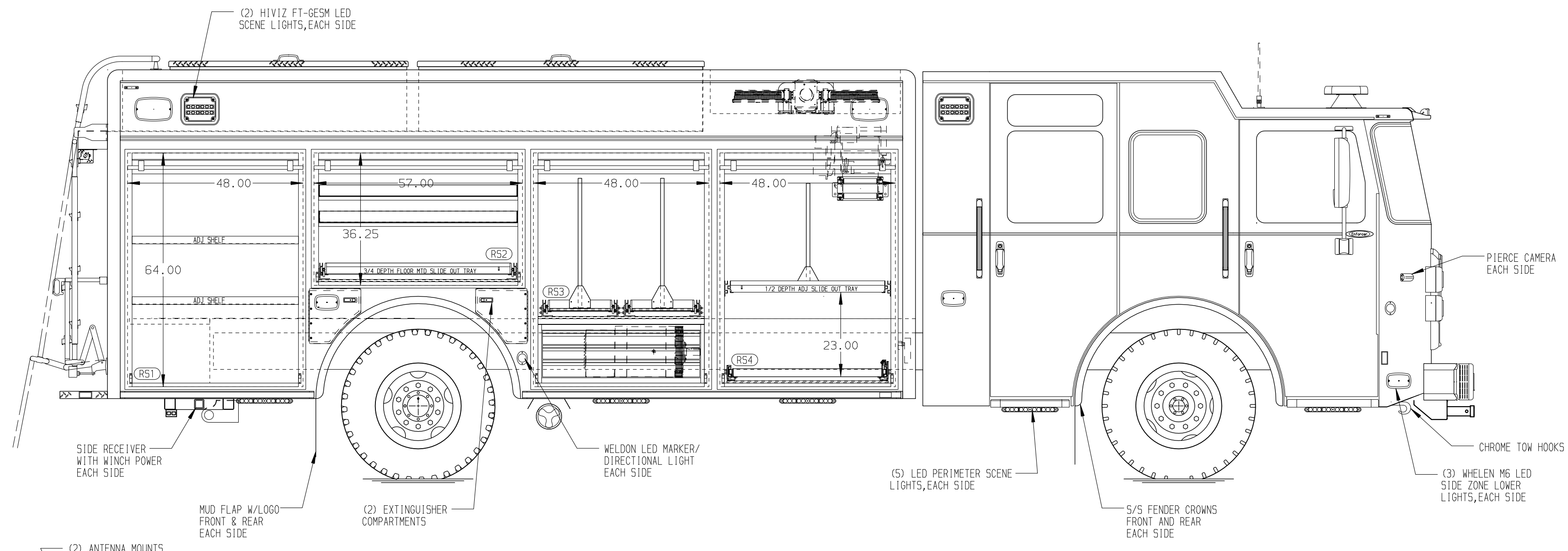
**LEFT SIDE COMPARTMENTS CONTAIN THE FOLLOWING:**

COMPARTMENT R51 CONTAINS:  
 - (2) STD DEPTH ADJ SHELVES  
 - (1) 15/20A, 120V DUPLEX RECEPTACLE

COMPARTMENT R52 CONTAINS:  
 - (1) RACK FOR AIR BAGS  
 - (1) 3/4 DEPTH FLOOR MTD SLIDE OUT TRAY

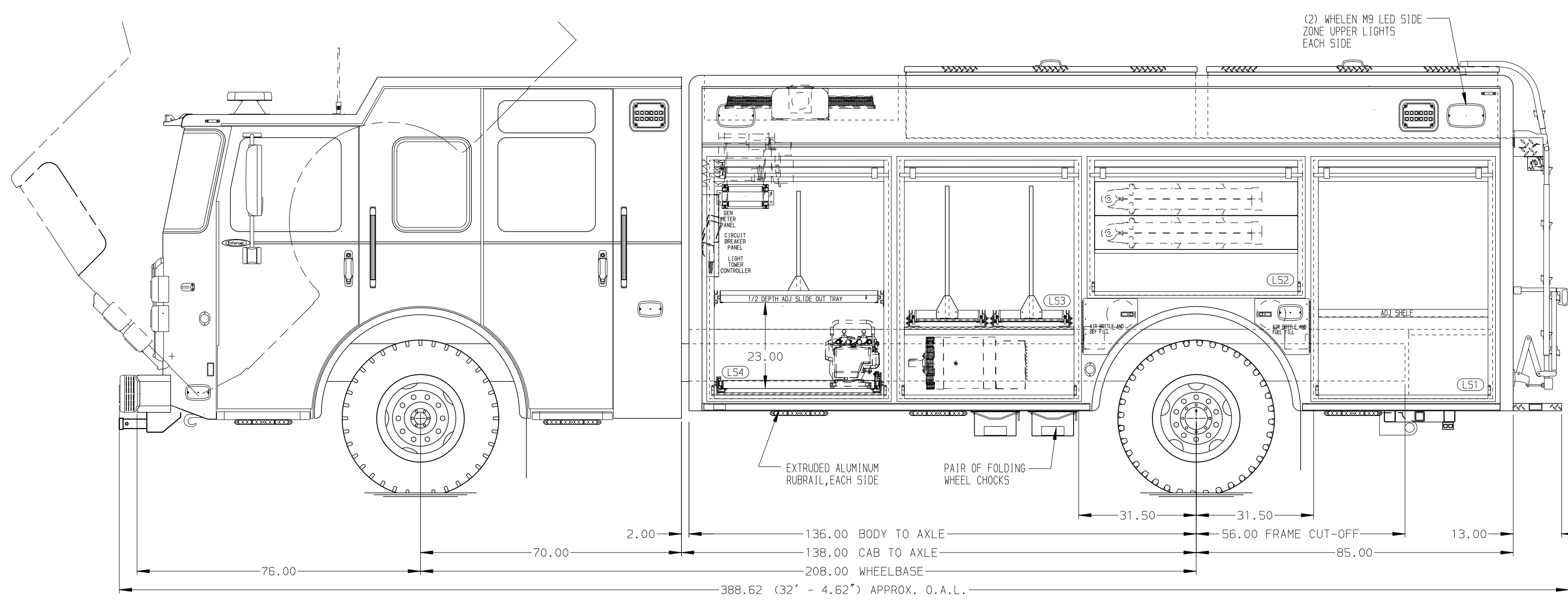
COMPARTMENT R53 CONTAINS:  
 - (1) HORIZONTAL FLOOR EXTENSION  
 - (1) 3-DRAWER C-TECH CABINET WITH TOOLBOARD  
 - (2) 2-WAY FLOOR MTD SLIDE OUT TRAYS WITH TOOLBOARDS

COMPARTMENT R54 CONTAINS:  
 - (1) CAB LIFT CONTROLLER  
 - (1) 1/2 DEPTH ADJ SLIDE OUT TRAY WITH TOOLBOARD  
 - (1) FLOOR MOUNTED TRAY W/SIDE SLIDES  
 - (1) ELECTRIC CORD REEL WITH 200' OF 10/3 BLACK CORD



**REAR COMPARTMENT CONTAINS THE FOLLOWING:**

COMPARTMENT B1 CONTAINS:  
 - (1) HORIZONTAL FLOOR EXTENSION  
 - (1) 48" DP FLOOR MTD SLIDE OUT TRAY



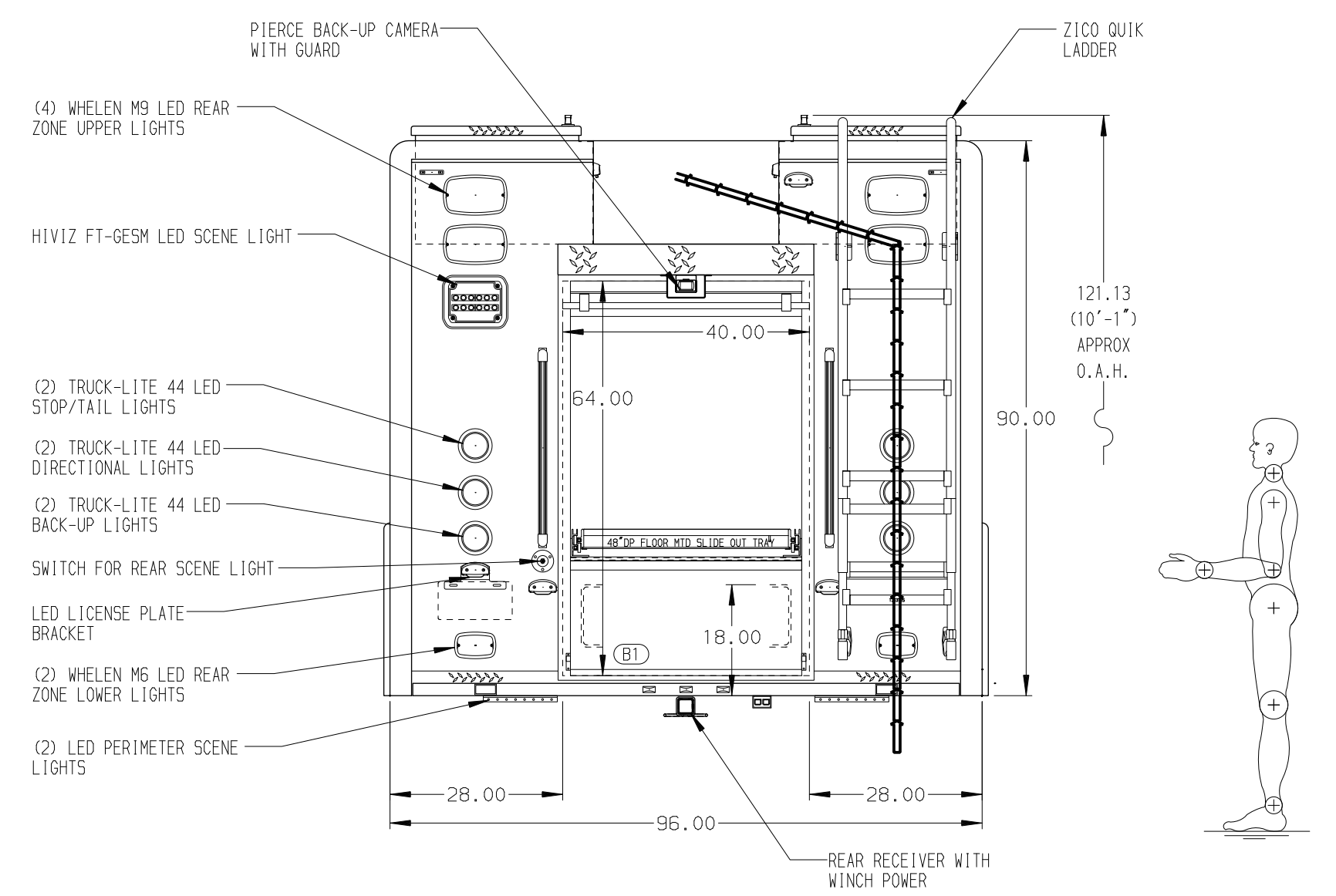
**RIGHT SIDE COMPARTMENTS CONTAIN THE FOLLOWING:**

COMPARTMENT LS1 CONTAINS:  
 - (1) STD DEPTH ADJ SHELF  
 - (1) 15/20A, 120V DUPLEX RECEPTACLE

COMPARTMENT LS2 CONTAINS:  
 - (1) RACK FOR 2 LITTLE GIANT LADDERS  
 - (1) REAR WALL COMPARTMENT DIVIDER

COMPARTMENT LS3 CONTAINS:  
 - (1) HORIZONTAL FLOOR EXTENSION  
 - (2) 2-WAY FLOOR MTD SLIDE OUT TRAYS WITH TOOLBOARDS

COMPARTMENT LS4 CONTAINS:  
 - (1) IOTA 75 AMP BATTERY CHARGER  
 - (1) 1/2 DEPTH ADJ SLIDE OUT TRAY WITH TOOLBOARD  
 - (1) FLOOR MOUNTED TRAY W/SIDE SLIDES  
 - (1) ELECTRIC CORD REEL WITH 200' OF 10/3 BLACK CORD  
 - (1) CIRCUIT BREAKER PANEL  
 - (1) GENERATOR METER PANEL  
 - (1) LIGHT TOWER CONTROLLER



**NOTE**  
 DIMENSIONS SHOWN ARE APPROXIMATE AND ARE SUBJECT TO MINOR DEVIATIONS AS MAY OCCUR OR BE NECESSARY IN CONSTRUCTION. MINOR DETAILS NOT SHOWN.

- NOTES:**
- ONAN 25kW SINGLE PHASE PTO DRIVEN GENERATOR LOCATED BETWEEN THE FRAME RAILS
  - ONSPOT AUTOMATIC TIRE CHAINS
  - AIR INLET WITH DISCONNECT COUPLING LOCATED IN DRIVER'S STEP AREA
  - WARN 49,000 PORTABLE RECEIVER STYLE WINCH
  - FLOOR IN CAB AND CREW CAB TO BE PADDED RUBBER
  - BATTERY CHARGE INDICATOR LOCATED ON DRIVER'S SEAT RISER
  - PIERCE LED LIGHTS IN ALL BODY AND HATCH COMPARTMENTS
  - 20A, 120V SHORELINE INLET IN DRIVER'S STEP WELL OF CAB
  - (1) 15/20A, 120V DUPLEX RECEPTABLES ON ENGINE TUNNEL

**CLEAR DOOR WIDTH KEY**

AMOR ROLL UP DOORS:	-2 1/4"	10JAN24	DHE	AZU
GORTITE ROLL UP DOORS:	-2 1/2"	18OCT23	DHE	AZU
PIERCE DOUBLE LAP DOORS:	-4 1/4"	17OCT23	DHE	AZU
PIERCE LIFT-UP LAP DOORS:	-1 1/2"	20SEP23	DHE	AZU

(EX: 60" F-F - 2 1/4" = 57 3/4" CLEAR)  
 (F-F) = FRAME TO FRAME

CHASSIS DATA	TITLE	HEAVY DUTY RESCUE NON-WALKIN
MAKE	FOR	FENNIMORE FIRE DEPARTMENT BID #778
MODEL	DWG NO.	38721AD
EN7010		

**Pierce MANUFACTURING INC.**

JOB NO. 38721  
 SCALE 1:24  
 DATE  
 DRAWN BY DHE  
 04AUG23  
 CHECKED BY AZU  
 15AUG23  
 SHEET SIZE D  
 SHEET NO. 1 OF 1