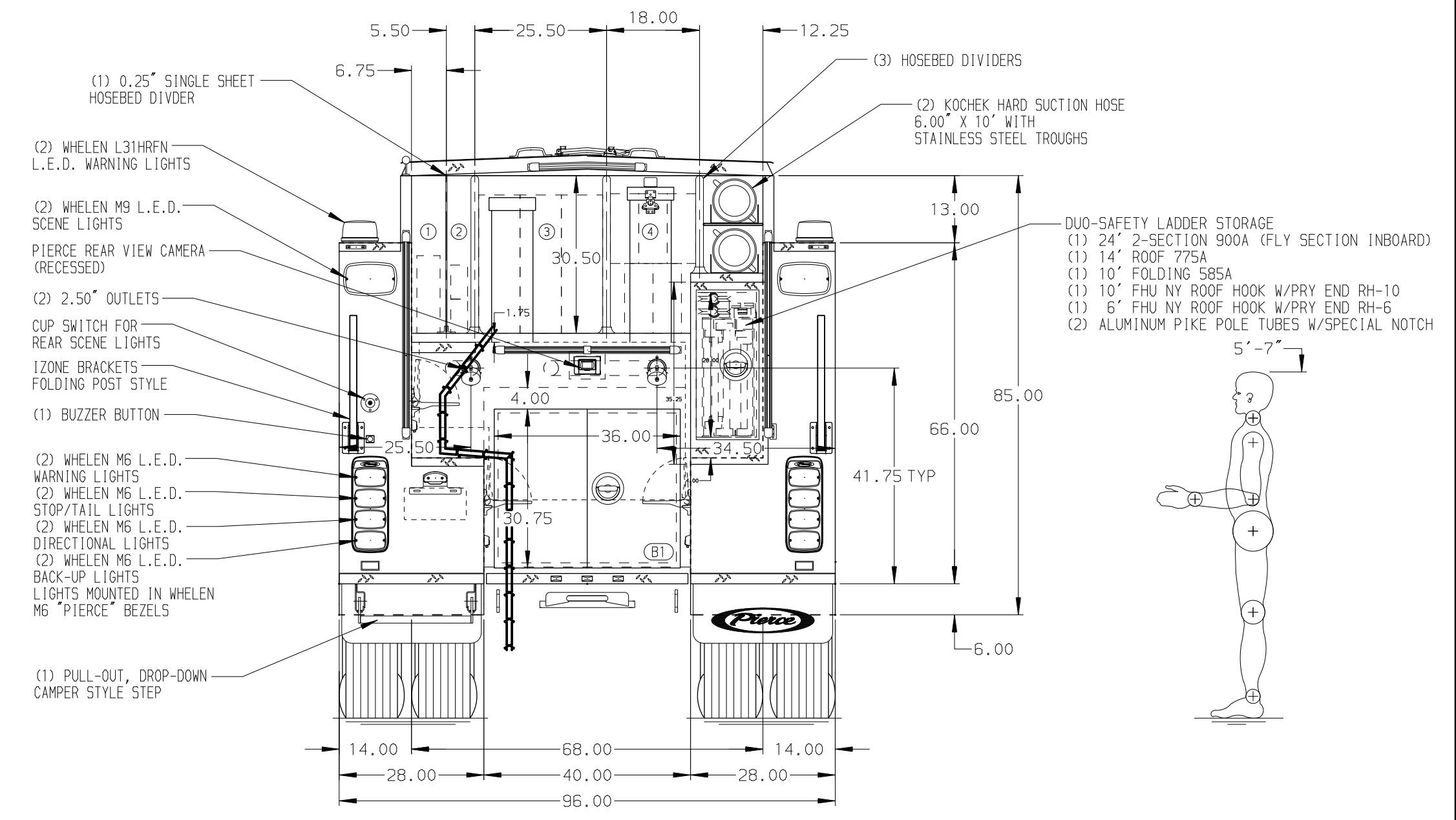
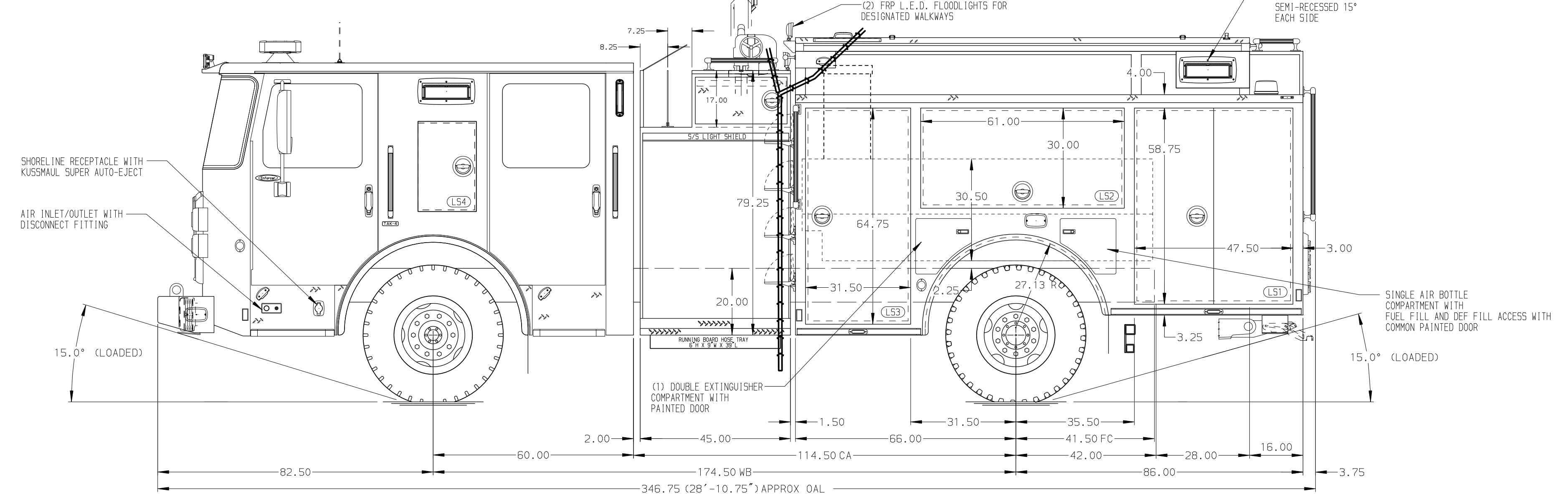


- HOSEBED CAPACITIES**
- ① - 200' OF 2.50" DJP HOSE
 - ② - (2) 100' OF 1.75" HOSE PACKS
 - ③ - 1000' OF 5.00" DJP HOSE
 - ④ - 800' OF 3.00" DJP HOSE



ALUMINUM BODY

MAXIMUM O.A.H. 118.00"

NOTE
DIMENSIONS SHOWN ARE APPROXIMATE AND ARE SUBJECT TO MINOR DEVIATIONS AS MAY OCCUR OR BE NECESSARY IN CONSTRUCTION. MINOR DETAILS NOT SHOWN.

1. ONSPOT AUTOMATIC TIRE CHAINS TO BE PROVIDED AT REAR
2. WHEEL CHOCKS AND MOUNTING BRACKETS TO BE PROVIDED BY CUSTOMER
3. BATTERY CHARGER LOCATED BEHIND THE DRIVER'S SEAT
4. BATTERY CHARGE INDICATOR LOCATED ON DRIVER'S SEAT RISER
5. DUAL L.E.D. LIGHT STRIPS UNDER HOSE BED COVER PER ORDER
6. STAINLESS STEEL SCUFFPLATES ON ALL BODY COMPARTMENT DOORS PER ORDER
7. SEVEN DUAL L.E.D. LIGHT STRIPS EACH SIDE OF COMPARTMENT DOORS PER ORDER
8. EIGHT FULL WIDTH/DEPTH ADJUSTABLE SHELVES LOCATED IN COMPARTMENTS PER ORDER
9. ONE ADJUSTABLE SLIDE-OUT TRAY LOCATED IN COMPARTMENT PER ORDER
10. TWO FLOOR MOUNTED SLIDE-OUT TRAYS LOCATED IN COMPARTMENTS PER ORDER

11. ONE SWING-OUT ALUMINUM TOOL BOARD LOCATED IN COMPARTMENT PER ORDER
12. FOAM PRO 1600 FOAM SYSTEM

REV	DATE	BY	CH	ENFORCER
▽	27FEB24	SAM	ZWE	MAKE
▽	19JAN24	SAM	ZWE	PIERCE
▽	26OCT23	SAM	WKL	MODEL

		JOB NO.	38760 01 & 02
		SCALE	DATE
TITLE 1500-D-520P, 500G WATER W/20G FOAM, 152" FDLER (2) XLYAS, LADDERS BTWN TANK & SS, DELUGE, FOAM PRO		DRAWN BY	SAM
FOR EL DORADO COUNTY FIRE DISTRICT CAMINO, CALIFORNIA		CHECKED BY	WKL
DWG NO. 38760AD		SHEET SIZE	D
		SHEET NO.	1 OF 1