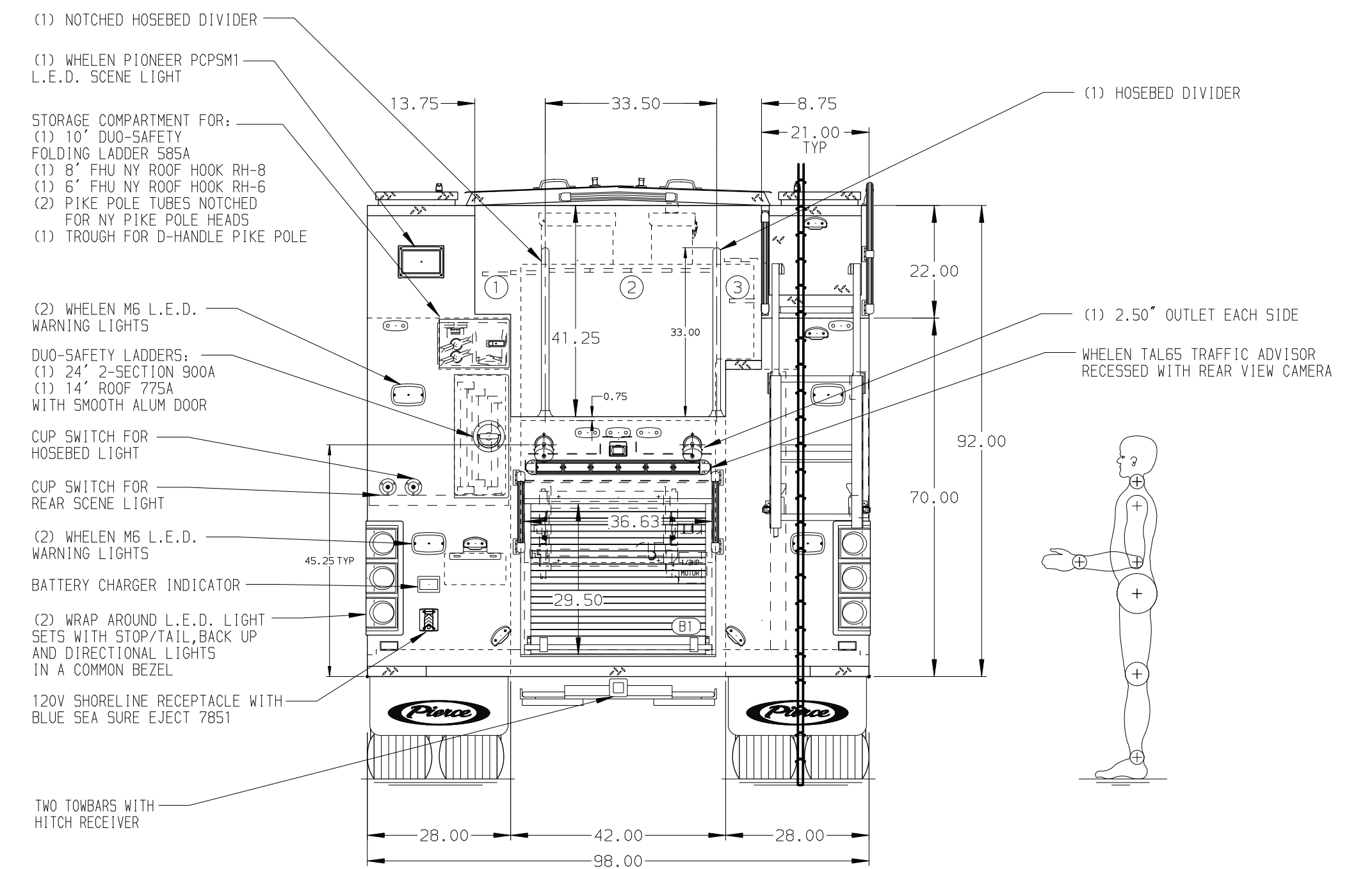
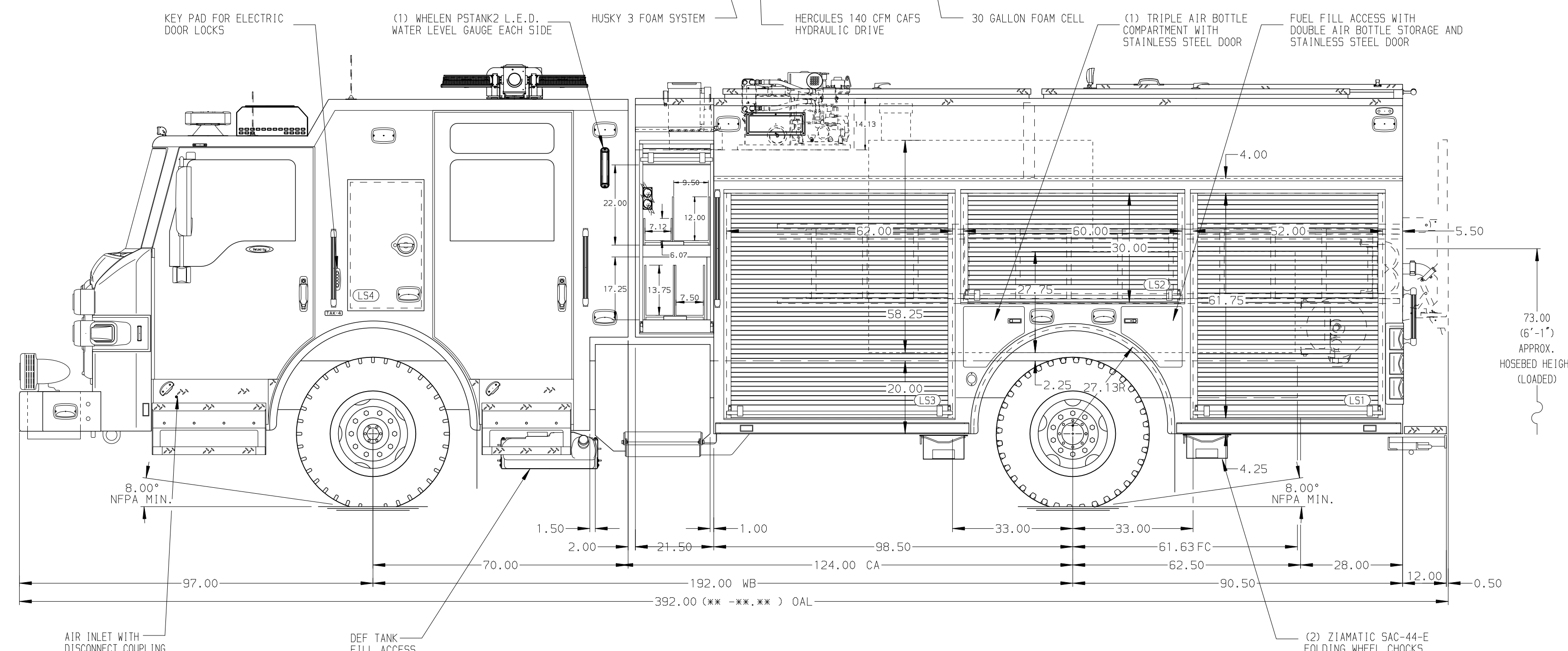


- HOSEBED CAPACITIES**
- ① - 300' OF 3.00" D.J. POLY HOSE
 - ② - 1000' OF 5.00" D.J. POLY HOSE
 - ③ - 100' OF 3.00" D.J. POLY HOSE (BELOW) WITH 150' OF 1.75" D.J. POLY HOSE (ABOVE)



ALUMINUM BODY

NOTE
 DIMENSIONS SHOWN ARE APPROXIMATE AND ARE SUBJECT TO MINOR DEVIATIONS AS MAY OCCUR OR BE NECESSARY IN CONSTRUCTION. MINOR DETAILS NOT SHOWN.

1. BATTERY CHARGER LOCATED PER ORDER
2. ONE CTECH THREE DRAWER CABINET LOCATED PER ORDER
3. ONE LITTLE GIANT LADDER VELOCITY-MODEL 15413-001 IN RS3
4. ONE HANNAY ALUMINUM BOOSTER REEL WITH 100' OF 0.75" BOOSTER HOSE MODEL EL4130-17-18-RB IN COMPARTMENT B1

REV	DATE	BY	CH	VELOCITY
29MAR24	JJB	GKH		
22FEB24	JJB	GKH		
19JAN24	JJB	WKL		

		JOB NO.	38765
		SCALE	DATE
CHASSIS DATA MAKE MODEL VELOCITY	TITLE	1500-D-750P, 720G WATER, 30G FOAM, 189" FH & FD PUC (3) CROSSLAYS, LADDERS THRU BODY, LIGHT TOWER, CAFS	
	FOR	PROSPER FIRE DEPARTMENT PROSPER, TEXAS	
	DWG NO.	38765AD	
	CHECKED BY	WKL	12JAN24
	SHEET SIZE	D	SHEET NO. 1 OF 1