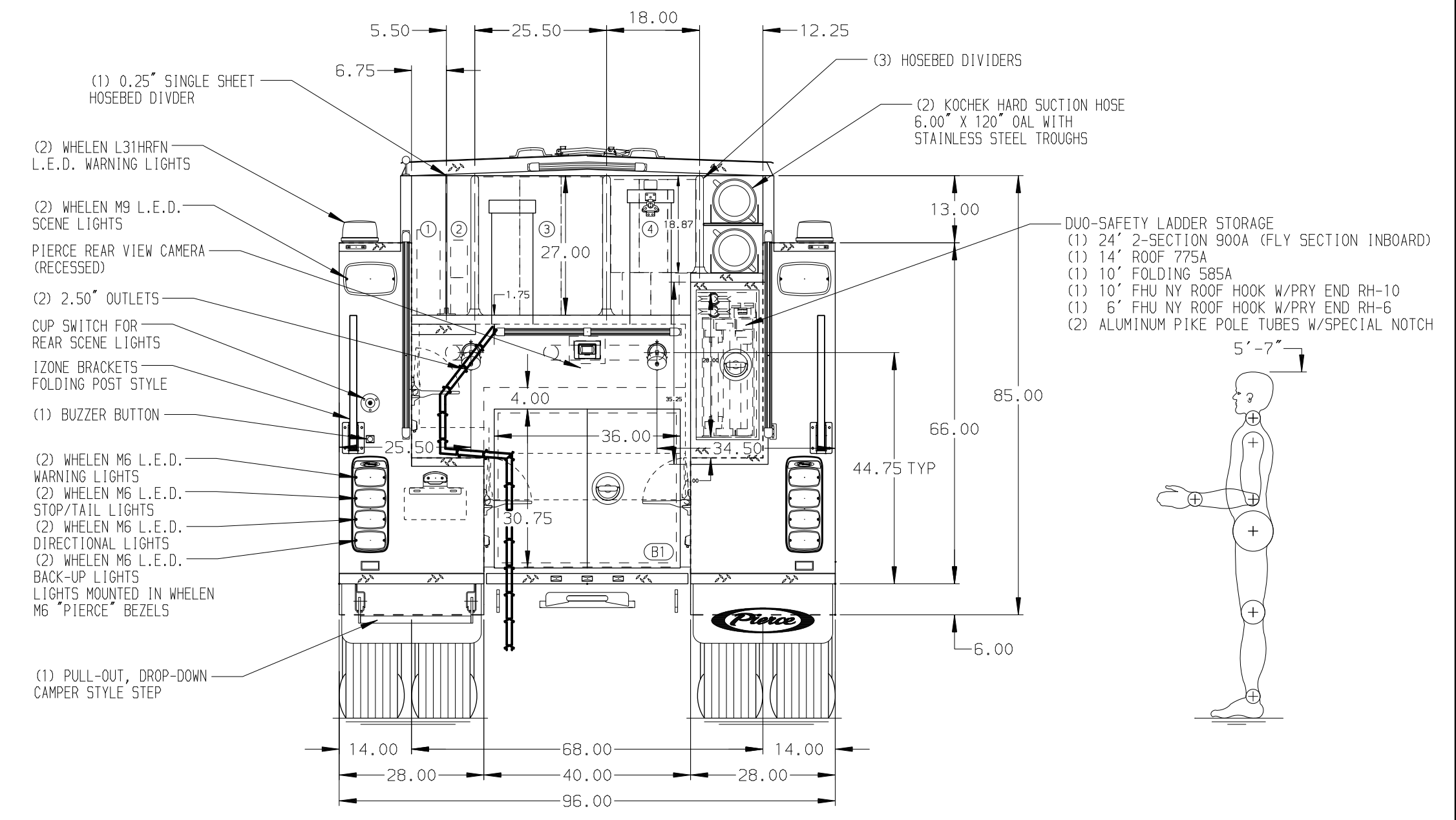
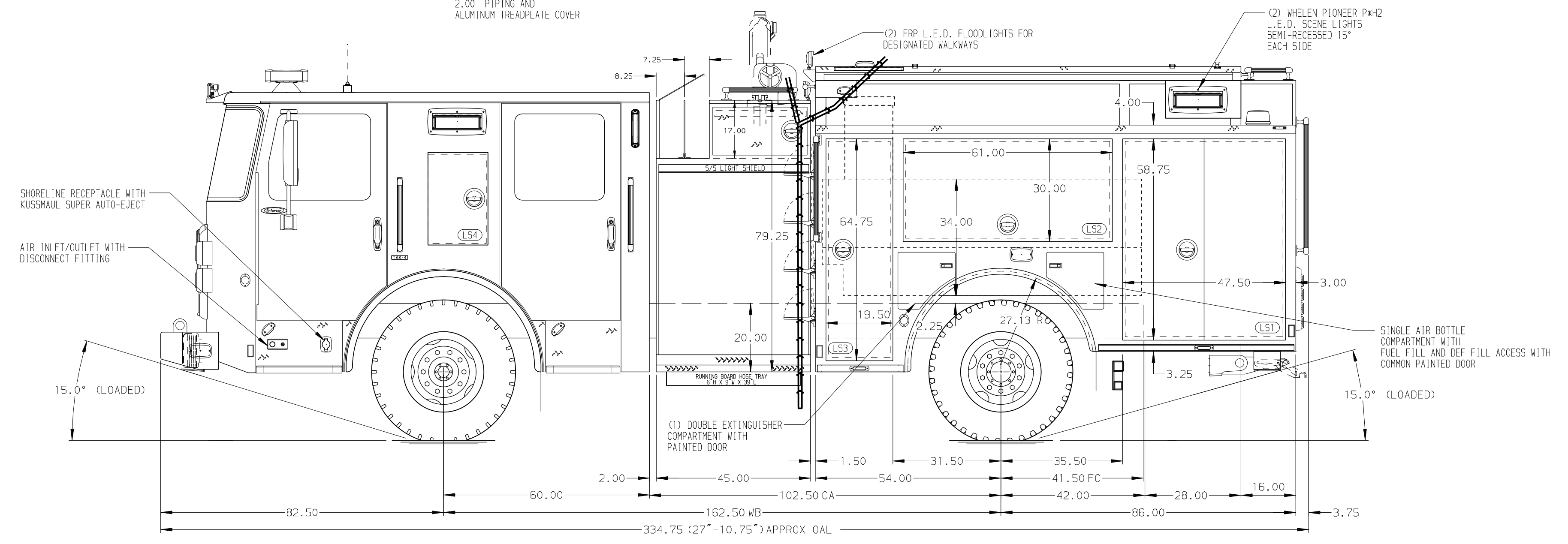


HOSEBED CAPACITIES

①	- 200' OF 2.50\"/>
②	- (2) 100' OF 1.75\"/>
③	- 900' OF 5.00\"/>
④	- 750' OF 3.00\"/>



ALUMINUM BODY

MAXIMUM O.A.H. 118.00"

NOTE
DIMENSIONS SHOWN ARE APPROXIMATE AND ARE SUBJECT TO MINOR DEVIATIONS AS MAY OCCUR OR BE NECESSARY IN CONSTRUCTION. MINOR DETAILS NOT SHOWN.

- ONSPOT AUTOMATIC TIRE CHAINS TO BE PROVIDED AT REAR
- WHEEL CHOCKS AND MOUNTING BRACKETS TO BE PROVIDED BY CUSTOMER
- BATTERY CHARGER LOCATED BEHIND THE DRIVER'S SEAT
- BATTERY CHARGE INDICATOR LOCATED ON DRIVER'S SEAT RISER
- DUAL L.E.D. LIGHT STRIPS UNDER HOSE BED COVER PER ORDER
- DUAL L.E.D. LIGHT STRIPS UNDER HOSE BED COVER PER ORDER
- SEVEN DUAL L.E.D. LIGHT STRIPS EACH SIDE OF COMPARTMENT DOORS PER ORDER
- EIGHT FULL WIDTH/DEPTH ADJUSTABLE SHELVES LOCATED IN COMPARTMENTS PER ORDER
- ONE ADJUSTABLE SLIDE-OUT TRAY LOCATED IN COMPARTMENT PER ORDER
- TWO FLOOR MOUNTED SLIDE-OUT TRAYS LOCATED IN COMPARTMENTS PER ORDER

- ONE SWING-OUT ALUMINUM TOOL BOARD LOCATED IN COMPARTMENT PER ORDER
- FOAM PRO 1600 FOAM SYSTEM

REV	DATE	BY	CH	ENFORCER
21FEB24	SAM	ZWE		
19JAN24	SAM	ZWE		

		JOB NO.	38777
		SCALE	DATE
CHASSIS DATA TITLE: 1500-D-520P, 500G WATER W/20G FOAM, 140" FDLER MAKE: PIERCE FOR: EL DORADO COUNTY FIRE DISTRICT CAMINO, CALIFORNIA		DRAWN BY	SAM
MODEL DWG NO.: 38777AD		CHECKED BY	WKL
		SHEET SIZE	SHEET NO.
		D	1 OF 1