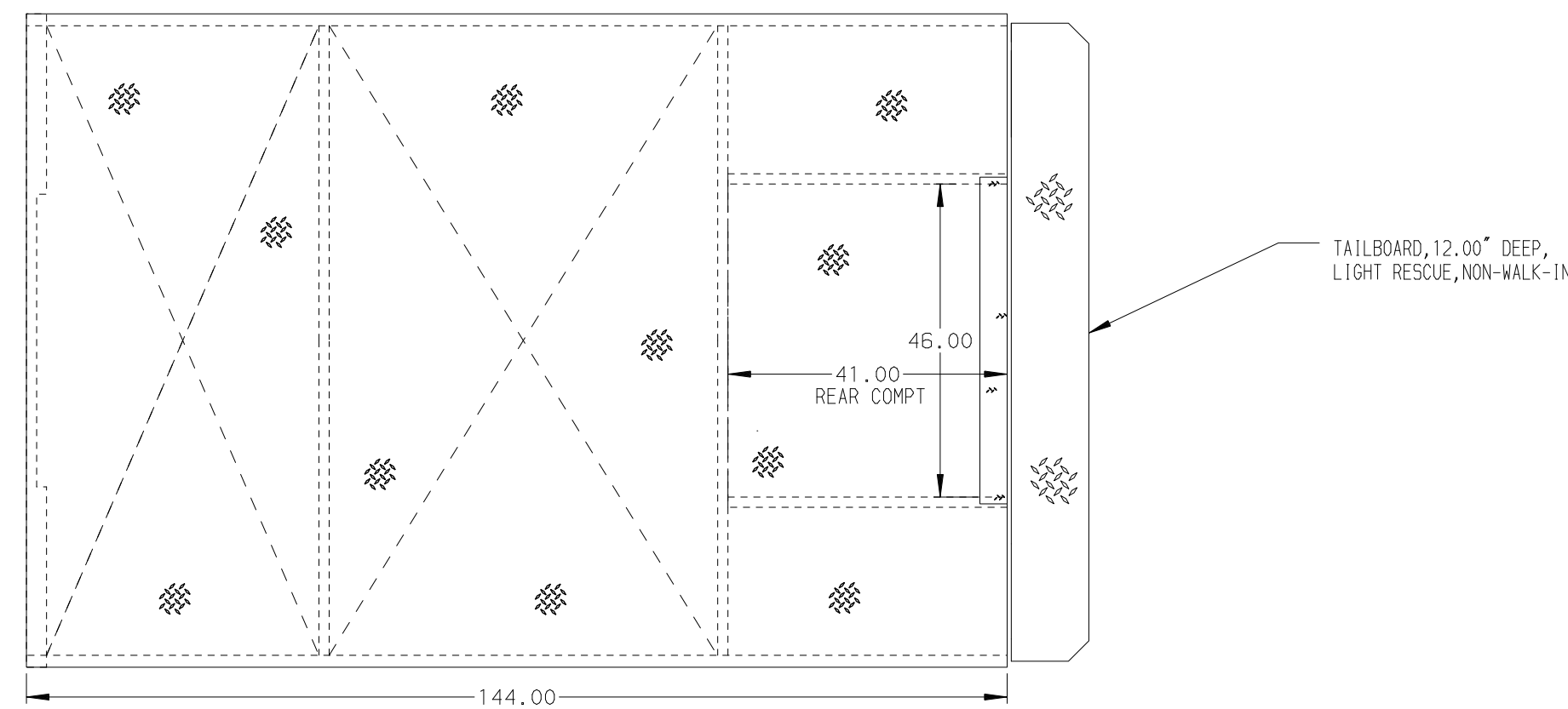
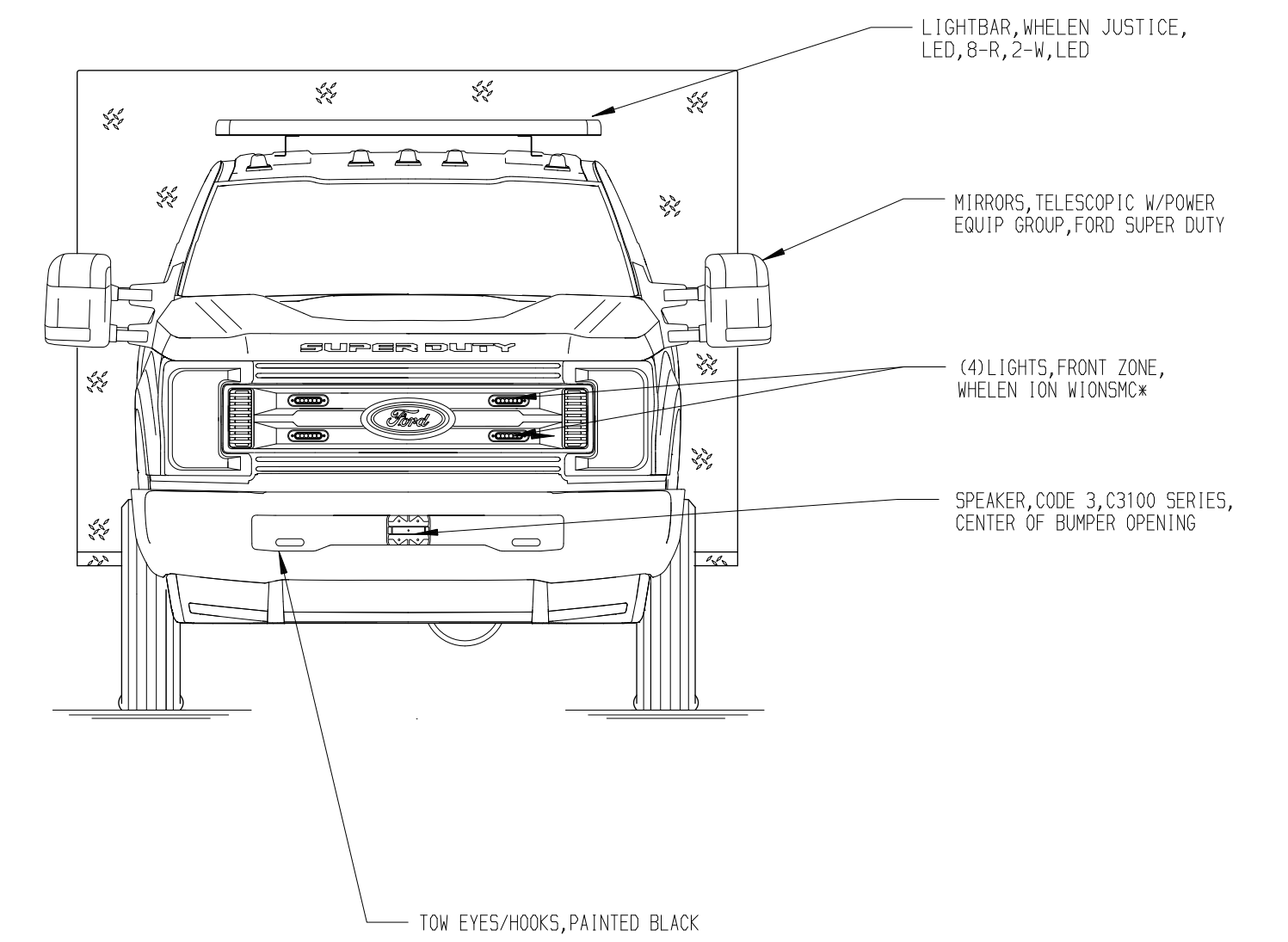
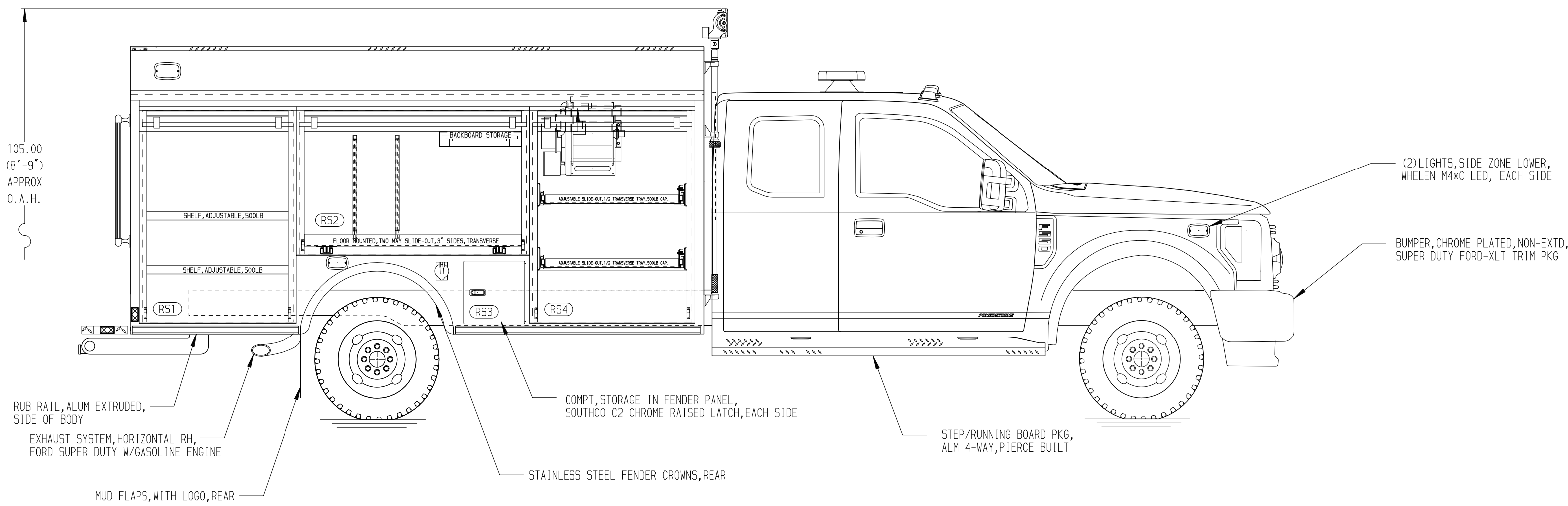


**RIGHT SIDE COMPARTMENTS CONTAIN THE FOLLOWING:**

COMPARTMENT RS1 CONTAINS:  
 - (2) SHELVES, ADJUSTABLE, 500LB CAP., STANDARD DEPTH COMPT.

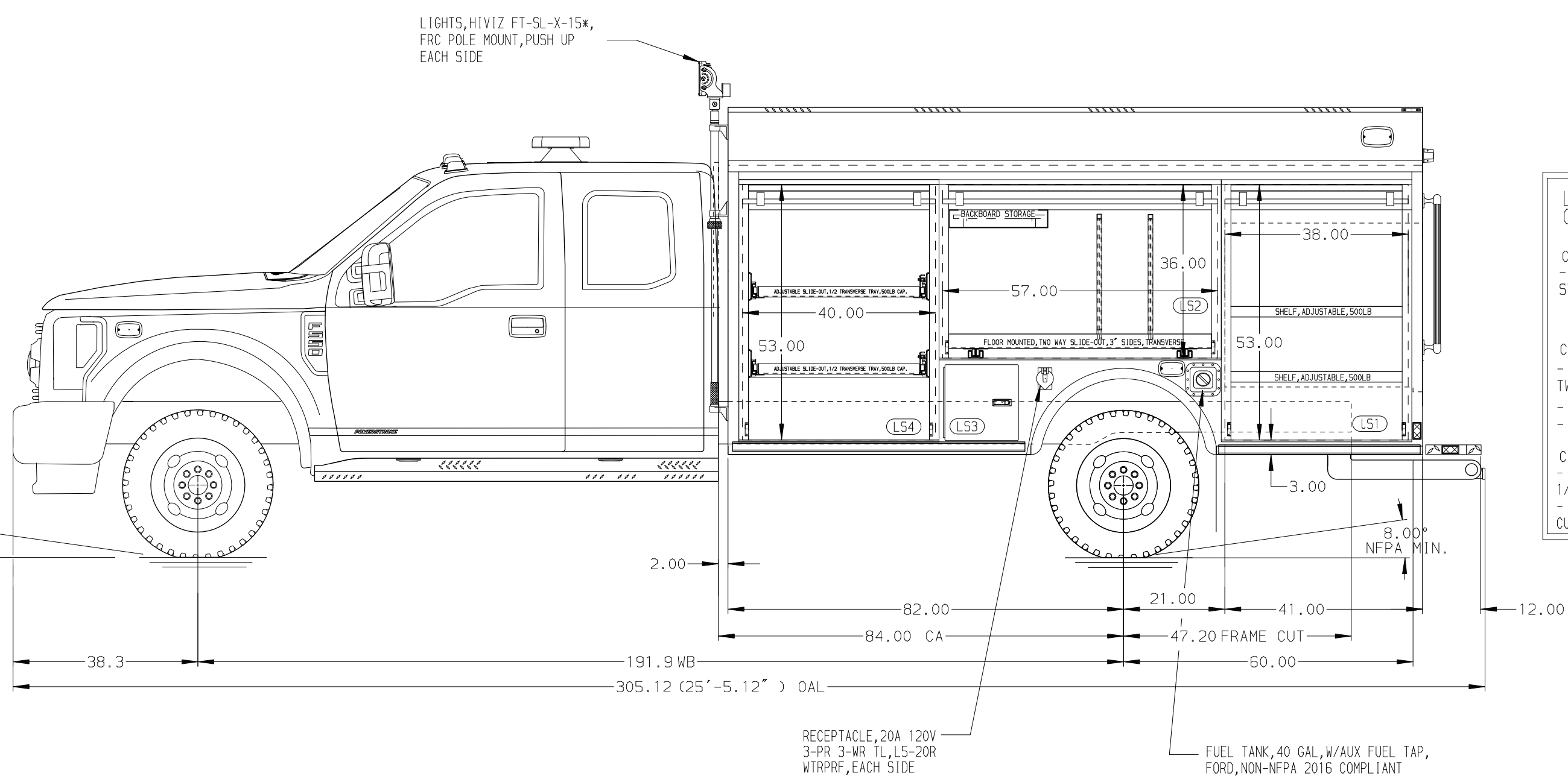
COMPARTMENT RS2 CONTAINS:  
 - (1) FLOOR MOUNTED TRAY, SLIDE OUT, TWO-WAY, TRANSVERSE, 500LB CAP.  
 - (1) BACKBOARD STORAGE RACK  
 - (2) TOOLBOARDS ADDED TO TRAY

COMPARTMENT RS4 CONTAINS:  
 - (2) ADJUSTABLE TRAY, SLIDE OUT, 1/2 TRANSVERSE, 500 LB CAP.  
 - (1) REEL, ELECT CABLE, HANNAY, 1600, 3 WIRE



**REAR COMPARTMENT B1 CONTAINS THE FOLLOWING:**

COMPARTMENT B1 CONTAINS:  
 - (1) ADJUSTABLE SHELF, 500LB CAP. FULL DEPTH COMPT.  
 - (1) TRAY, FLOOR MOUNTED, SLIDE OUT, 500LB CAP. 2.00\"/>

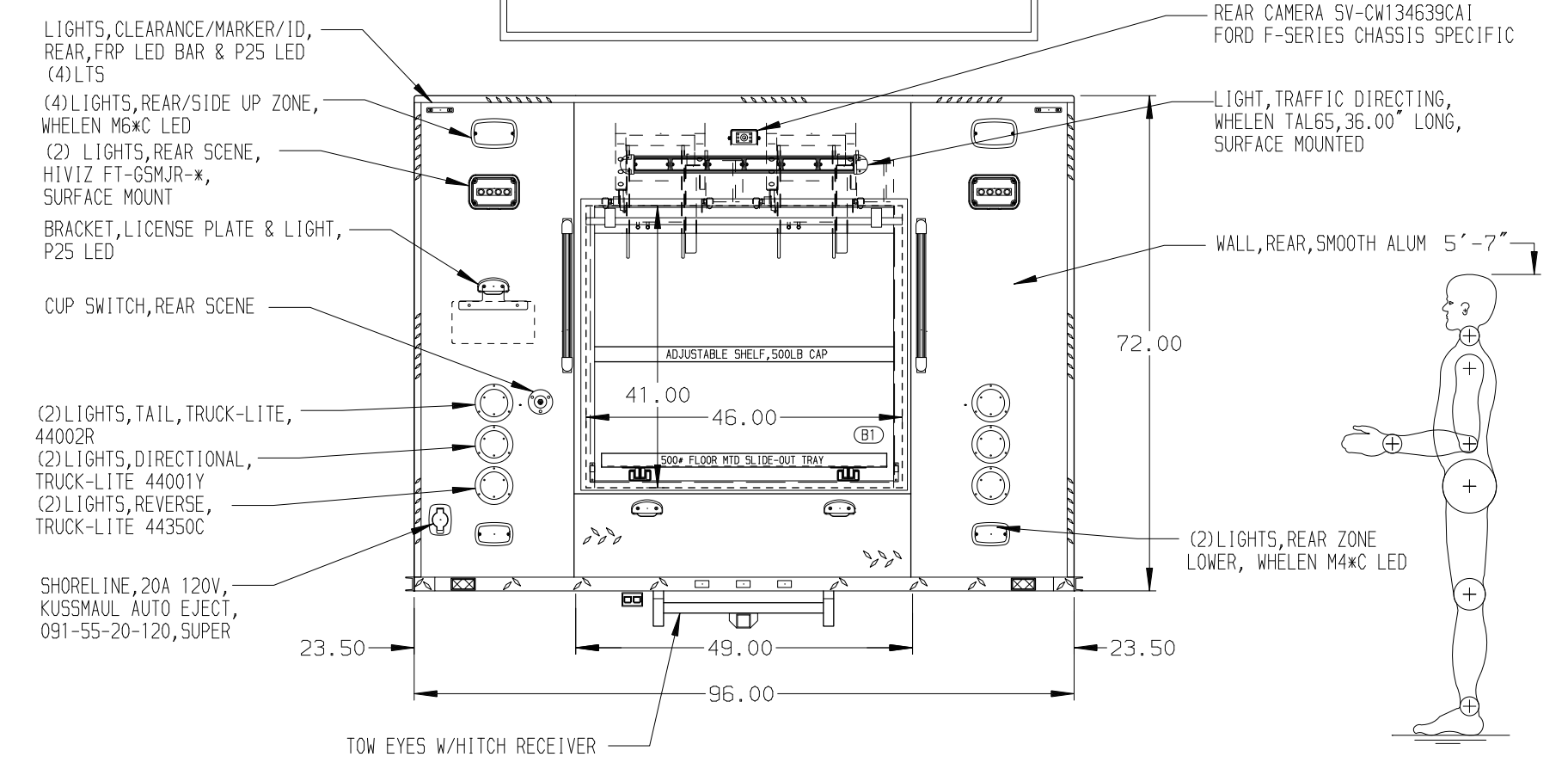


**LEFT SIDE COMPARTMENTS CONTAIN THE FOLLOWING:**

COMPARTMENT LS1 CONTAINS:  
 - (2) SHELVES, ADJUSTABLE, 500LB CAP., STANDARD DEPTH COMPT.

COMPARTMENT LS2 CONTAINS:  
 - (1) FLOOR MOUNTED TRAY, SLIDE OUT, TWO-WAY, TRANSVERSE, 500LB CAP.  
 - (1) BACKBOARD STORAGE RACK  
 - (2) TOOLBOARDS ADDED TO TRAY

COMPARTMENT LS4 CONTAINS:  
 - (2) ADJUSTABLE TRAY, SLIDE OUT, 1/2 TRANSVERSE, 500 LB CAP.  
 - (1) CIRCUIT BREAKER PANEL W/ CUSTOMER SUPPLIED INVERTER



**ALUMINUM BODY**

**NOTE**  
 DIMENSIONS SHOWN ARE APPROXIMATE AND ARE SUBJECT TO MINOR DEVIATIONS AS MAY OCCUR OR BE NECESSARY IN CONSTRUCTION. MINOR DETAILS NOT SHOWN.

2022 MODEL YEAR SHOWN FOR REFERENCE ONLY, 2023 CAB SYMBOLS WERE NOT AVAILABLE AT TIME OF RELEASE TO MANUFACTURING.

REV.	DATE	BY	CHK'D
07NOV23	RWR	NAS	
05OCT23	RWR	NAS	
09AUG23	RHU	RW1	

MANUFACTURING INC. BRADENTON, FLORIDA		JOB NO.	38801
		DATE	SCALE 1:24
TITLE	12' RESCUE, NON-WALK-IN	13JUL23	DRAWN BY RWR
FOR	ONTONAGON FD ONTONAGON MICHIGAN	17JUL23	CHK'D BY AJA
DRWG. NO.	38801AD	SHEET NO.	SHEET SIZE
		1 OF 1	D