

PUMPER BODY

Long Aluminum 2nd Gen Pumper

CHASSIS

Enforcer Chassis

CHASSIS AXLE, FRONT, CUSTOM

19,500 Lb TAK-4 Axle

AXLE, REAR

27,000 Lb Dana Axle

ENGINE

450 HP Cummins L9 Engine

TRANSMISSION

Allison 6th Gen, 3000 EVS P

BUMPER

19" Extended Painted Steel

CAB

7010 Enforcer Cab

BODY

WATER TANK

725 Gallon New York Style Water Tank

COMPT, PUMPER, REAR

30.75" FF RollUp Rear Compt

COMPT, PUMPER, LEFT SIDE

161" RollUp Full Height Front & Rear FDLR

COMPT, PUMPER, RIGHT SIDE

161" RollUp Full Height Front & Rear FDLR

FIRE SUPPRESSION PUMPHOUSE

45" Control Zone Top Mount

PUMP

1250 GPM Waterous CSU

CROSSLAYS, 1.50"

(2) 1.50" Standard Capacity

CROSSLAYS, 2.50"

2.50" Crosslay Not Required

SPEEDLAYS

Speedlays Not Required

GENERATOR

Generator Not Required

Foam System

Husky 12 Single Agent Foam System

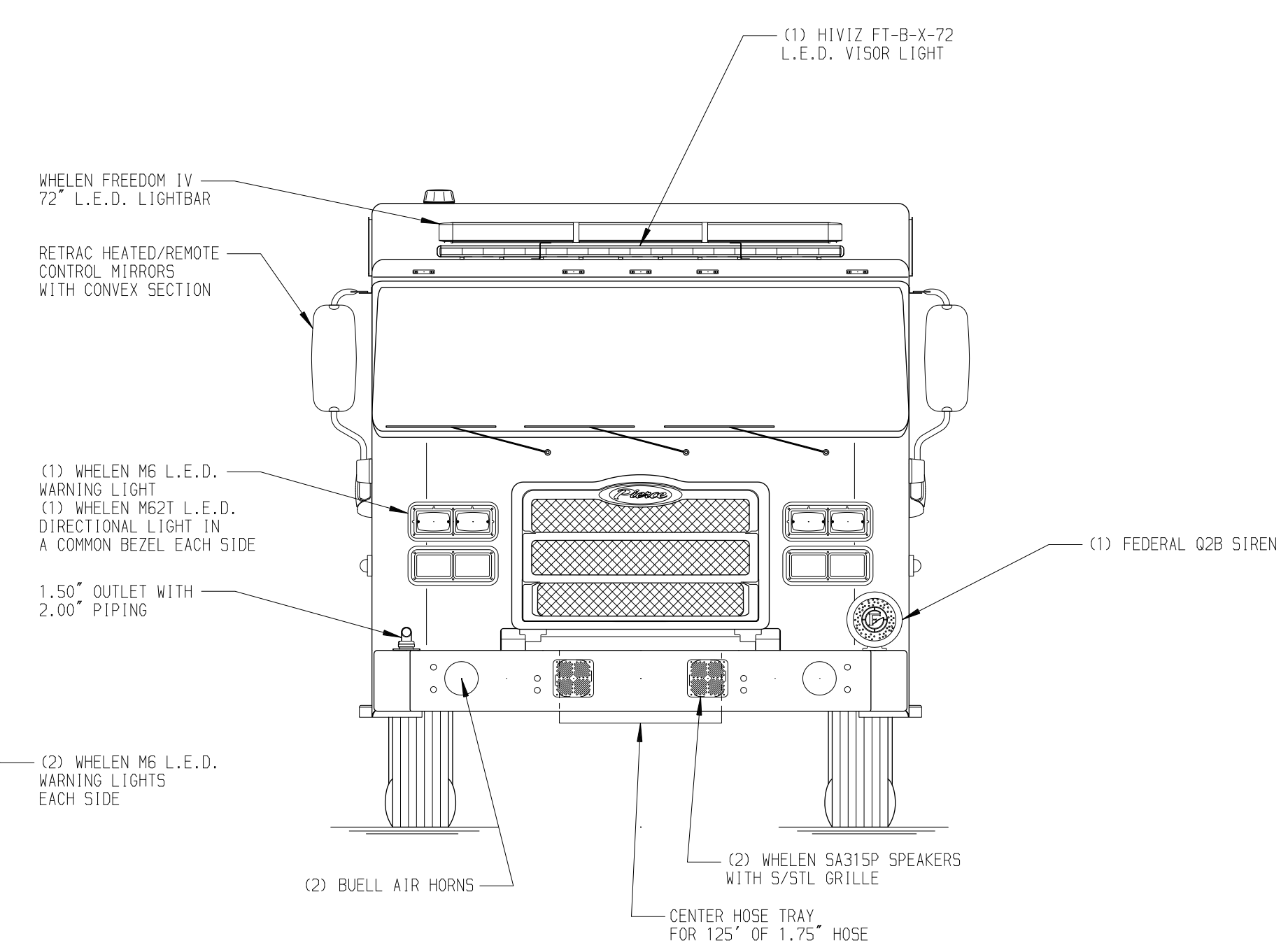
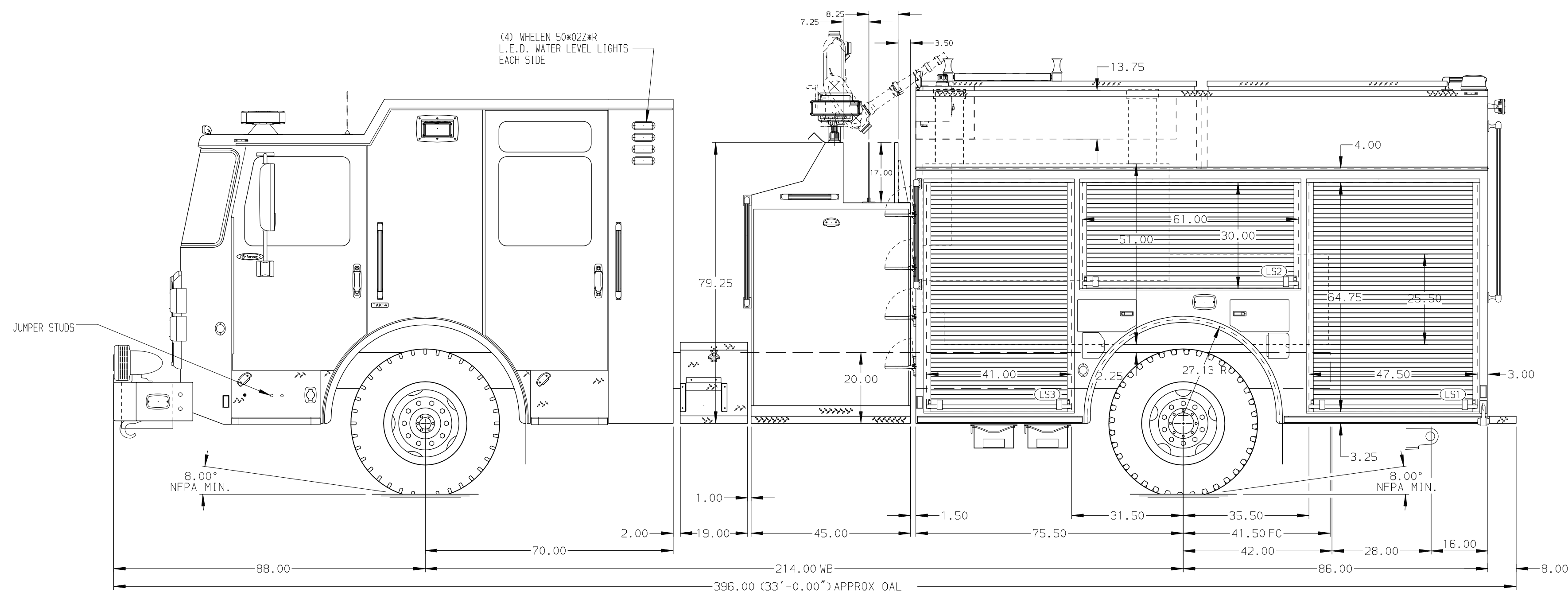
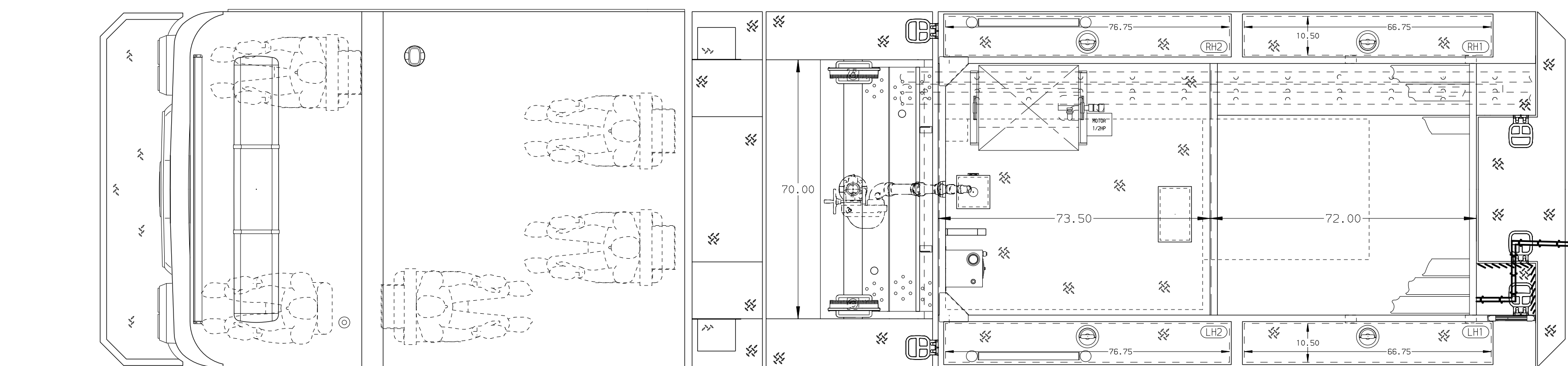
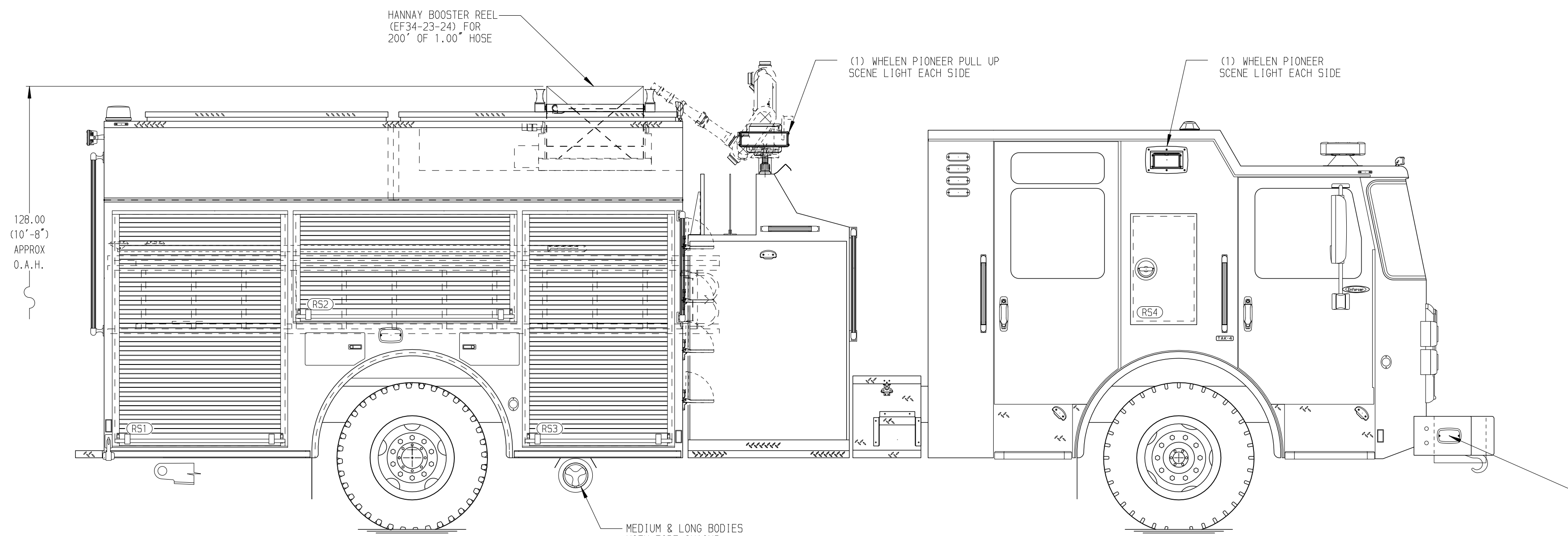
Foam Cell

25 Gallon Foam Cell, Reduced Water

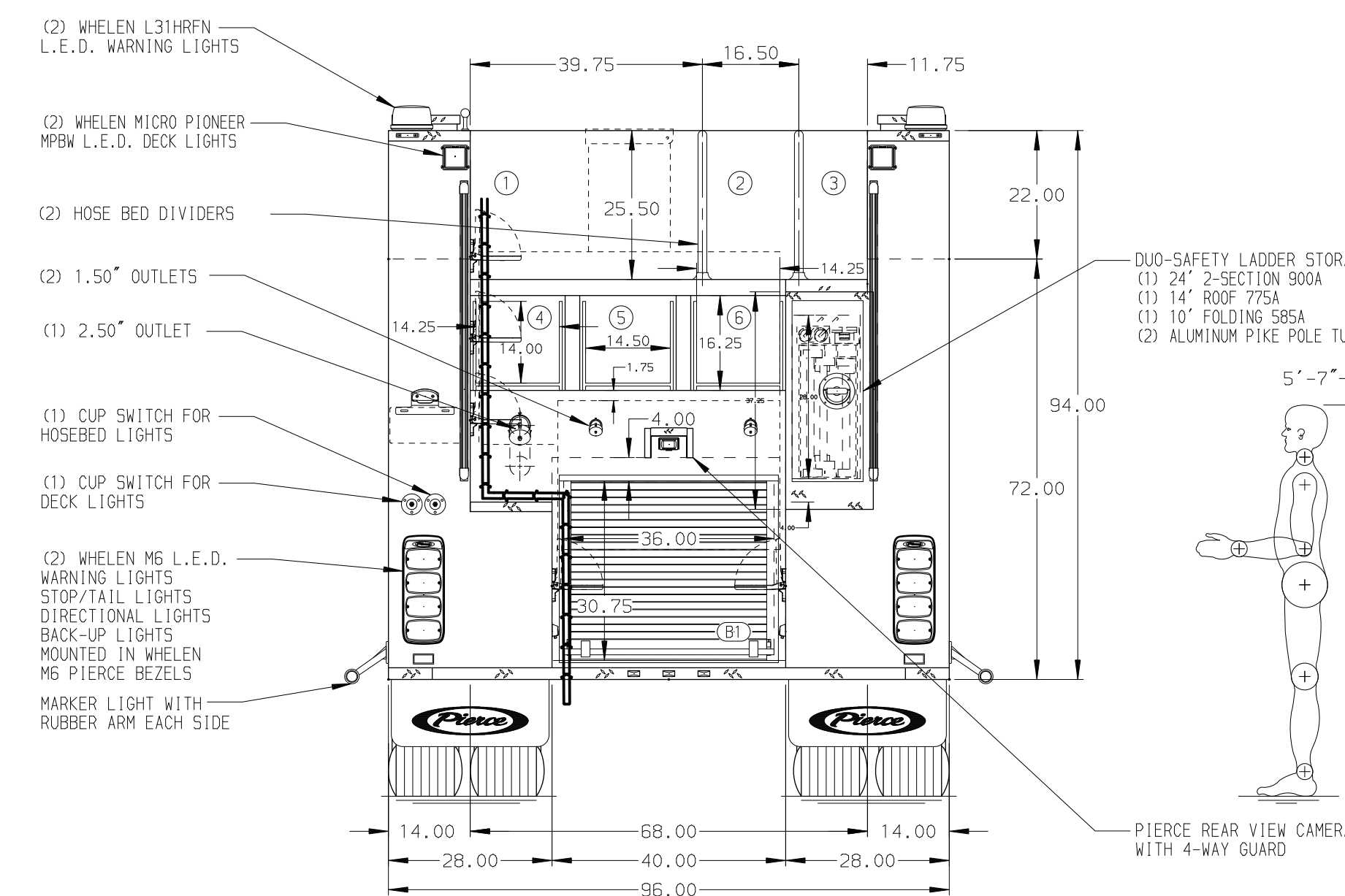
NOTE

DIMENSIONS SHOWN ARE APPROXIMATE AND ARE SUBJECT TO MINOR DEVIATIONS AS MAY OCCUR OR BE NECESSARY IN CONSTRUCTION. MINOR DETAILS NOT SHOWN.

- AIR OUTLET WITH SHUT OFF VALVE LOCATED PER SHOP ORDER
- HUSKY 12 RESERVOIR LOCATED PER ORDER
- SHORELINE RECEPTACLE WITH KUSSMAUL SUPER AUTO-EJECT LOCATED ON DRIVER SIDE STEPWELL
- AIR INLET WITH DISCONNECT COUPLING IN THE DRIVER SIDE STEPWELL
- BATTERY CHARGER LOCATED PER ORDER
- BATTERY CHARGE INDICATOR LOCATED ON THE DRIVER SIDE SEAT RISER
- SIX ADJUSTABLE SHELVES LOCATED PER ORDER
- TWO FLOOR MOUNTED SLIDE-OUT TRAY LOCATED PER ORDER
- ONE SWING-OUT TOOLBOARD LOCATED PER SHOP ORDER
- AUTOMATIC TIRE CHAINS
- KUSSMAUL AIR COMPRESSOR LOCATED PER SHOP ORDER
- PEGBOARD ON BACK WALL IN COMPARTMENT PER SHOP ORDER
- TWO 15A 120V RECEPTACLES LOCATED PER SHOP ORDER



HOSEBED CAPACITY	
BED 1	1000' OF 4.00" D.J. POLY HOSE
BED 2	OPEN
BED 3	300' OF 3.00" D.J. POLY HOSE
BED 4	250' OF 2.50" D.J. POLY HOSE
BED 5	250' OF 1.75" D.J. POLY HOSE
BED 6	250' OF 1.75" D.J. POLY HOSE



		JOB NO.	38834
		SCALE	DATE
TITLE	Pierce Pumper Approval Drawing	DRAWN BY	MMF
FOR	Pine Bluff Fire Department	CHECKED BY	COL
DWG NO.	38834AD	SHEET SIZE	SHEET NO.
		D	1 OF 1

REV	DATE	BY	CH	ENFORCER
14JUL23	WRE	AST		
11MAY23	MMF	AST		