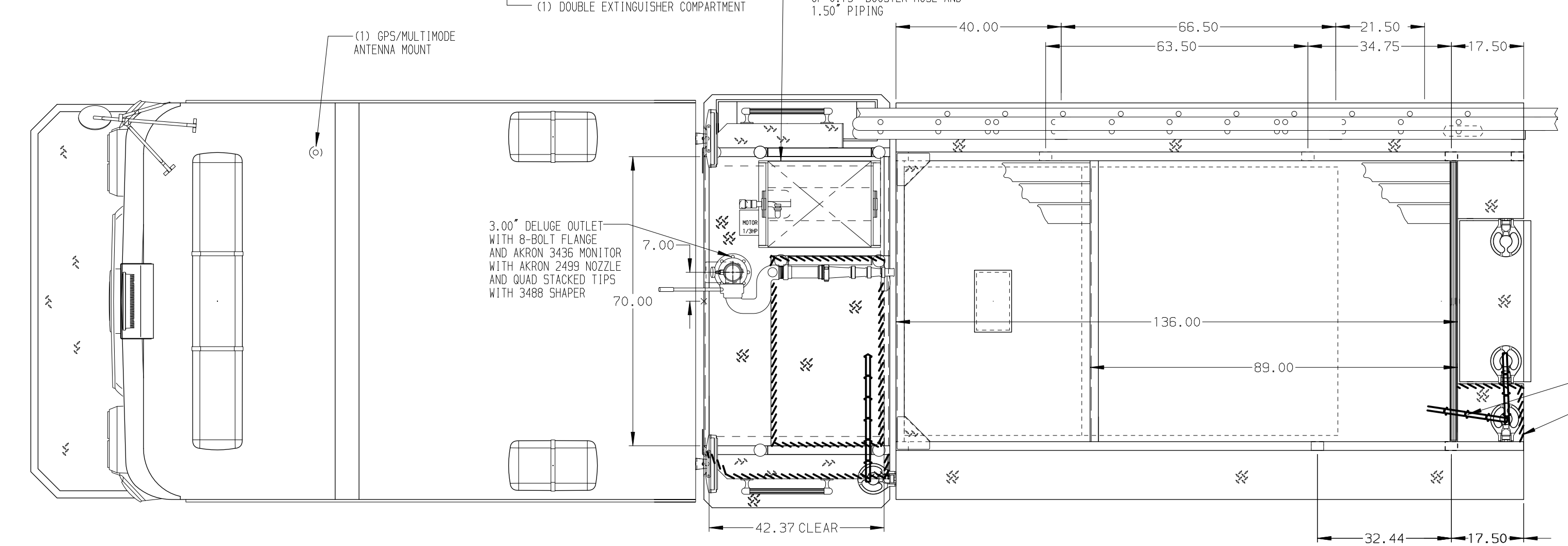
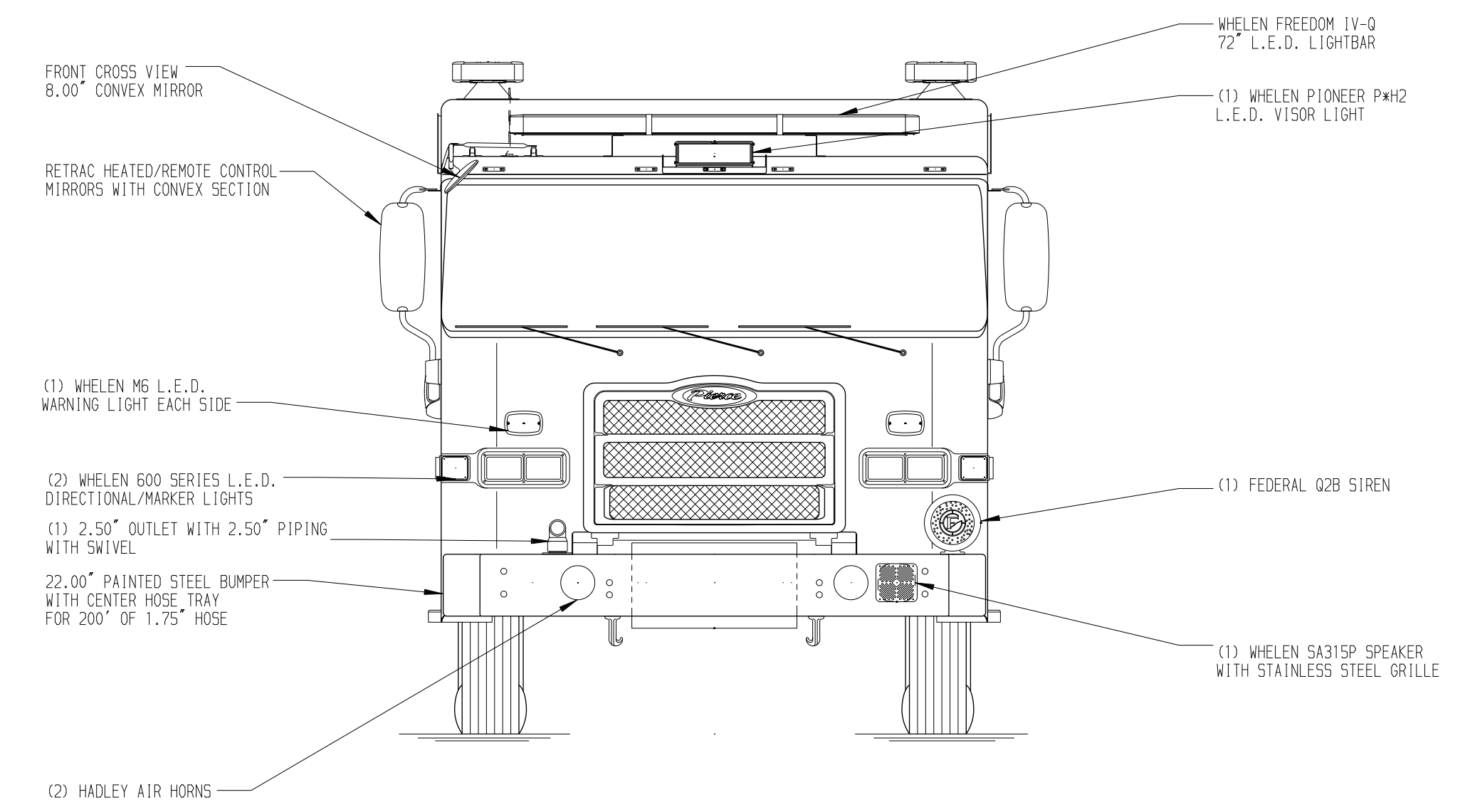
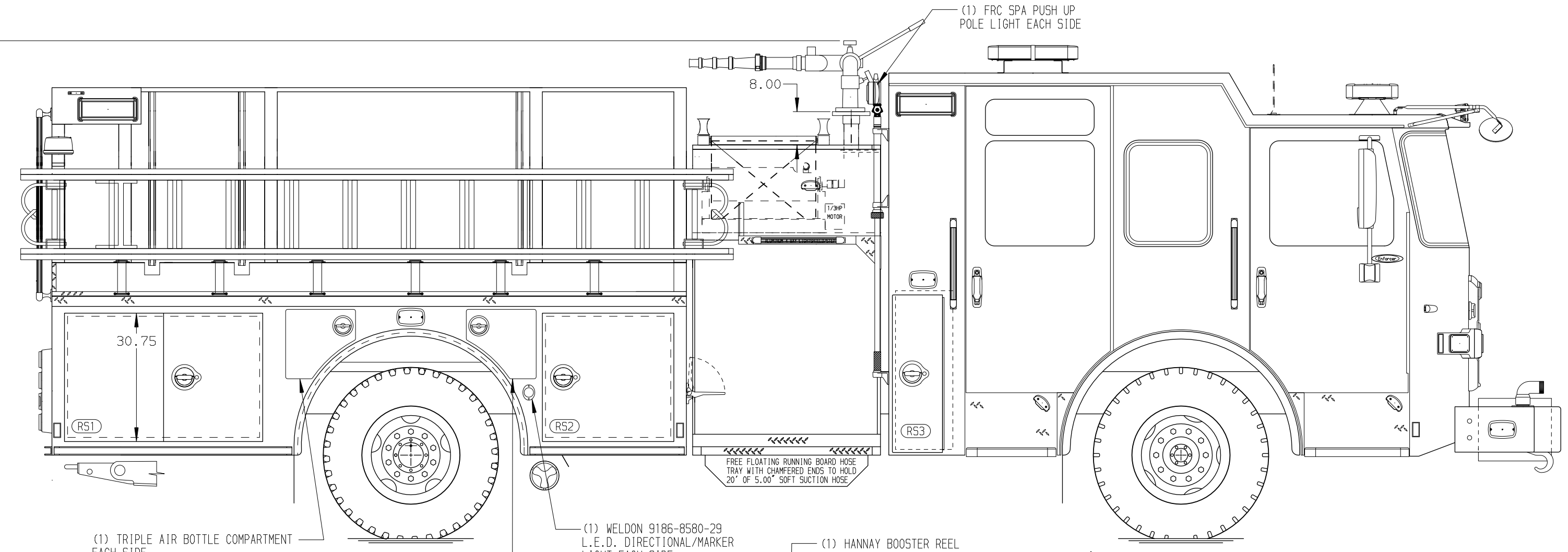
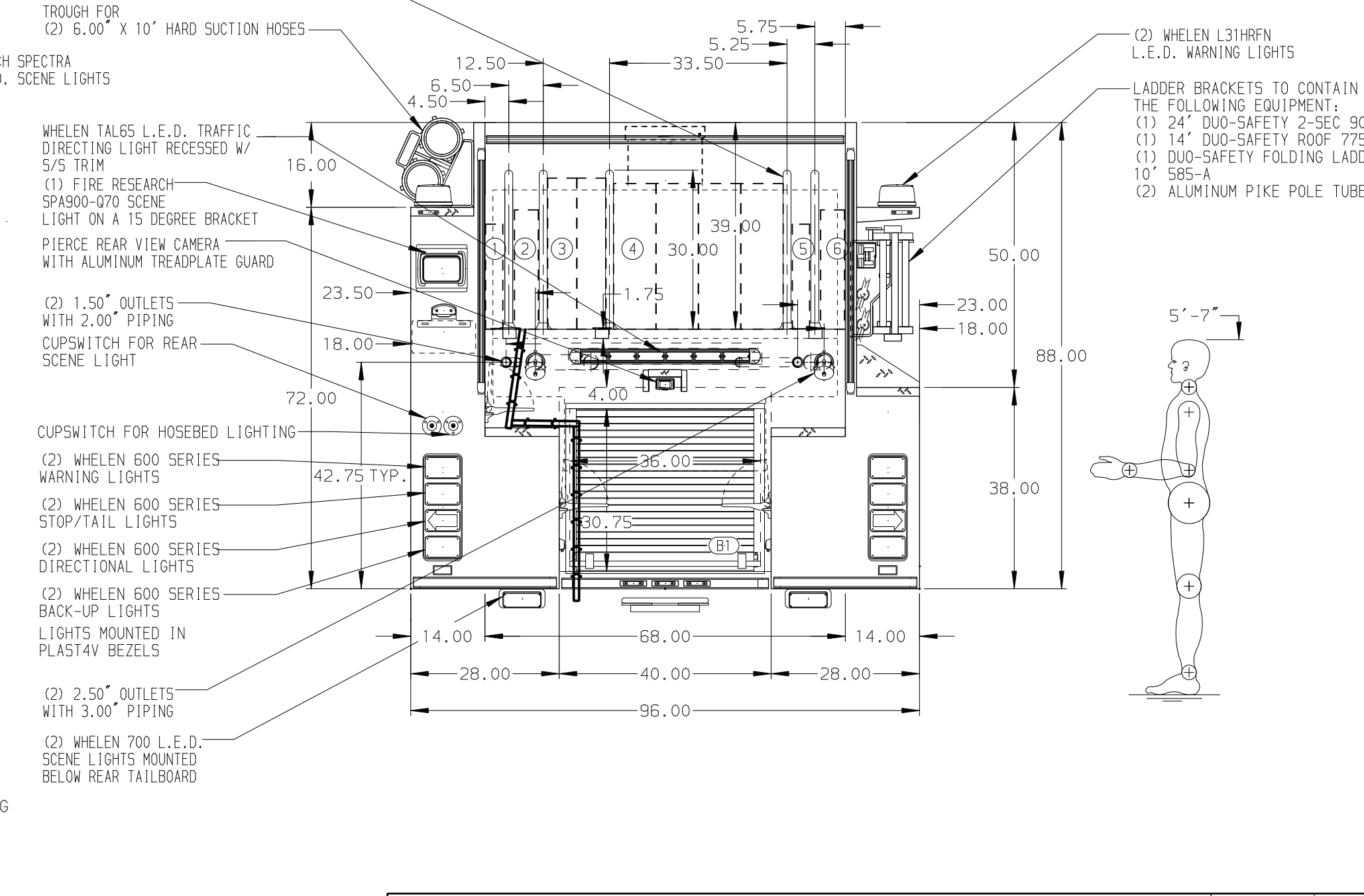
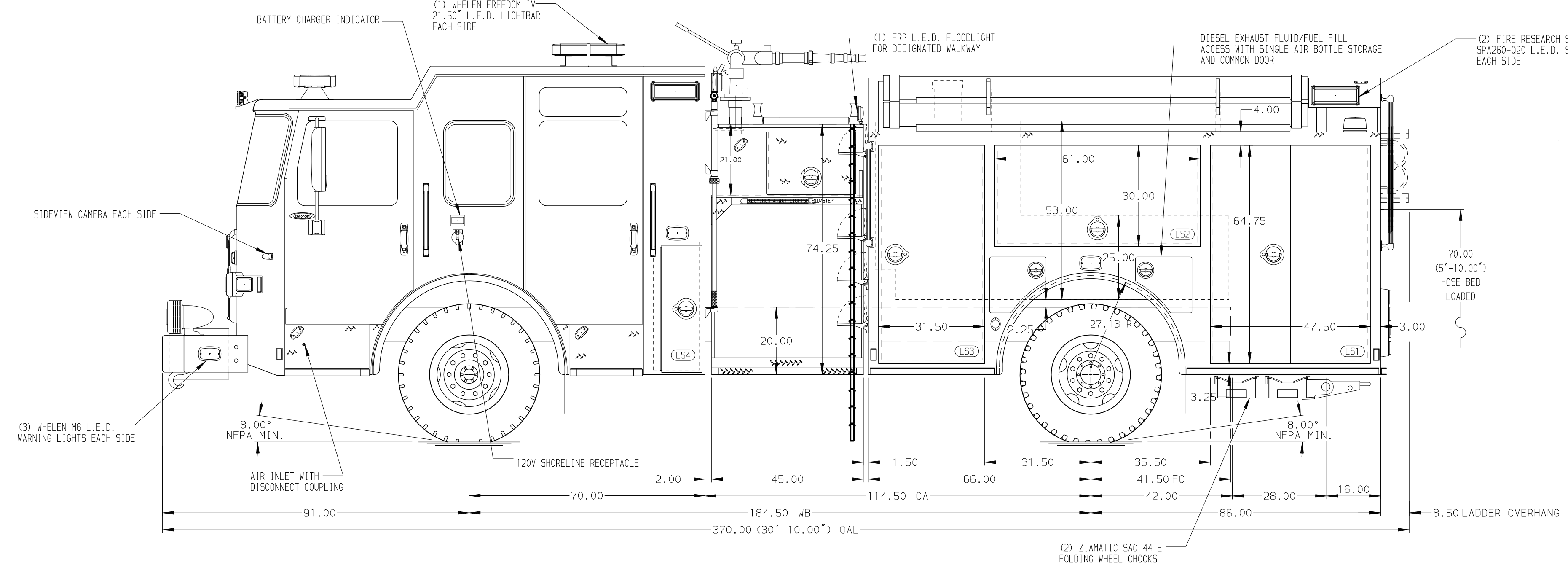


120.00
(10'-0")
APPROX
O.A.H.



- SURFACE DESIGNATION AND PATHWAY MARKINGS
- (5) HOSEBED DIVIDERS WITH NOTCH
- TROUGH FOR (2) 6.00" X 10" HARD SUCTION HOSES
- HOSEBED CAPACITIES
- ① 200' OF 1.75" HOSE
 - ② 200' OF 2.50" HOSE
 - ③ 500' OF 3.00" HOSE
 - ④ 1000' OF 5.00" HOSE
 - ⑤ 200' OF 1.75" HOSE
 - ⑥ 200' OF 2.50" HOSE



ALUMINUM BODY

NOTE
DIMENSIONS SHOWN ARE APPROXIMATE AND ARE SUBJECT TO MINOR DEVIATIONS AS MAY OCCUR OR BE NECESSARY IN CONSTRUCTION.
MINOR DETAILS NOT SHOWN.

1. BATTERY CHARGER LOCATED IN THE CAB PER SHOP ORDER
2. DUAL L.E.D. LIGHT STRIPS LOCATED IN HOSE BED
3. DRIP PAN GUARD FOR ROLL-UP DOOR LOCATED PER SHOP ORDER
4. KEYPED LOCK FOR LATCH FOR ALL SIDE BODY COMPARTMENTS
5. ONE 4-PLACE DUPLEX RECEPTACLE LOCATED IN THE BODY PER SHOP ORDER
6. ONE NEMA DUPLEX RECEPTACLE LOCATED IN THE BODY PER SHOP ORDER
7. TWO ADJUSTABLE FULL WIDTH/DEPTH SHELVES LOCATED PER SHOP ORDER
8. TWO ADJUSTABLE SPECIAL WIDTH AND DEPTH SHELVES LOCATED PER SHOP ORDER
9. ONE ADJUSTABLE SLIDE-OUT TRAY LOCATED PER SHOP ORDER
10. TWO ADJUSTABLE FLOOR MOUNTED SLIDE-OUT TRAYS LOCATED PER SHOP ORDER
11. ONE SWING-OUT TOOLBOARD WITH PAC TRAC LOCATED PER SHOP ORDER
12. PAC TRAC INSTALLED ON THE BACK WALL OF ONE COMPARTMENT PER SHOP ORDER

		JOB NO.	38837
		SCALE	DATE
Pierce MANUFACTURING INC.		DRAWN BY	LST
TITLE 2000-D-750 GAL POLY, 152" FH FDLER LEFT SIDE, LOW FDLER RIGHT SIDE, LADDER BRACKETS, BOOSTER REEL		CHECKED BY	PHA
FOR CITY OF VINELAND VINELAND, NEW JERSEY		SHEET SIZE	SHEET NO.
DWG NO. 38837AD		1 OF 1	

REV	DATE	BY	CH	ENFORCER
06JUN24	LST	COS		CHASSIS DATA
11MAR24	LST	COS		MAKE
01FEB24	LST	COS		PIERCE
08DEC23	LST	PHA		MODEL