

# Pumper, PUC BODY

Pumper, PUC, Aluminum

## CHASSIS

Enforcer Chassis, PUC

## CHASSIS AXLE, FRONT, CUSTOM

18,000 Lb Dana Axle

## AXLE, REAR

27,000 Lb Meritor Axle

## ENGINE

450 HP Cummins L9 Engine

## TRANSMISSION

Allison 6th Gen, 3000 EVS P

## BUMPER

19" Extended Stainless Steel

## CAB

7010 Enforcer Cab, PUC

## BODY

### WATER TANK

750 Gallon Poly Water Tank

### COMPT, PUMPER, REAR

40.50" FF RollUp Rear Compt w/Tailboard, PUC

### COMPT, PUMPER, LEFT SIDE

189" RollUp Full Height & Depth Front & Rear, PUC

### COMPT, PUMPER, RIGHT SIDE

189" RollUp Full Height & Depth Front & Rear, PUC

## FIRE SUPPRESSION PUMPHOUSE

Control Zone, PUC

## PUMP

1500 GPM Pierce PUC

## CROSSLAYS, 1.50"

(2) 1.50", Poly Trays, 200"

## CROSSLAYS, 2.50"

2.50" CrossLays Not Required

## GENERATOR

Generator Not Required

## Foam System

Foam System Not Required

## Foam Cell

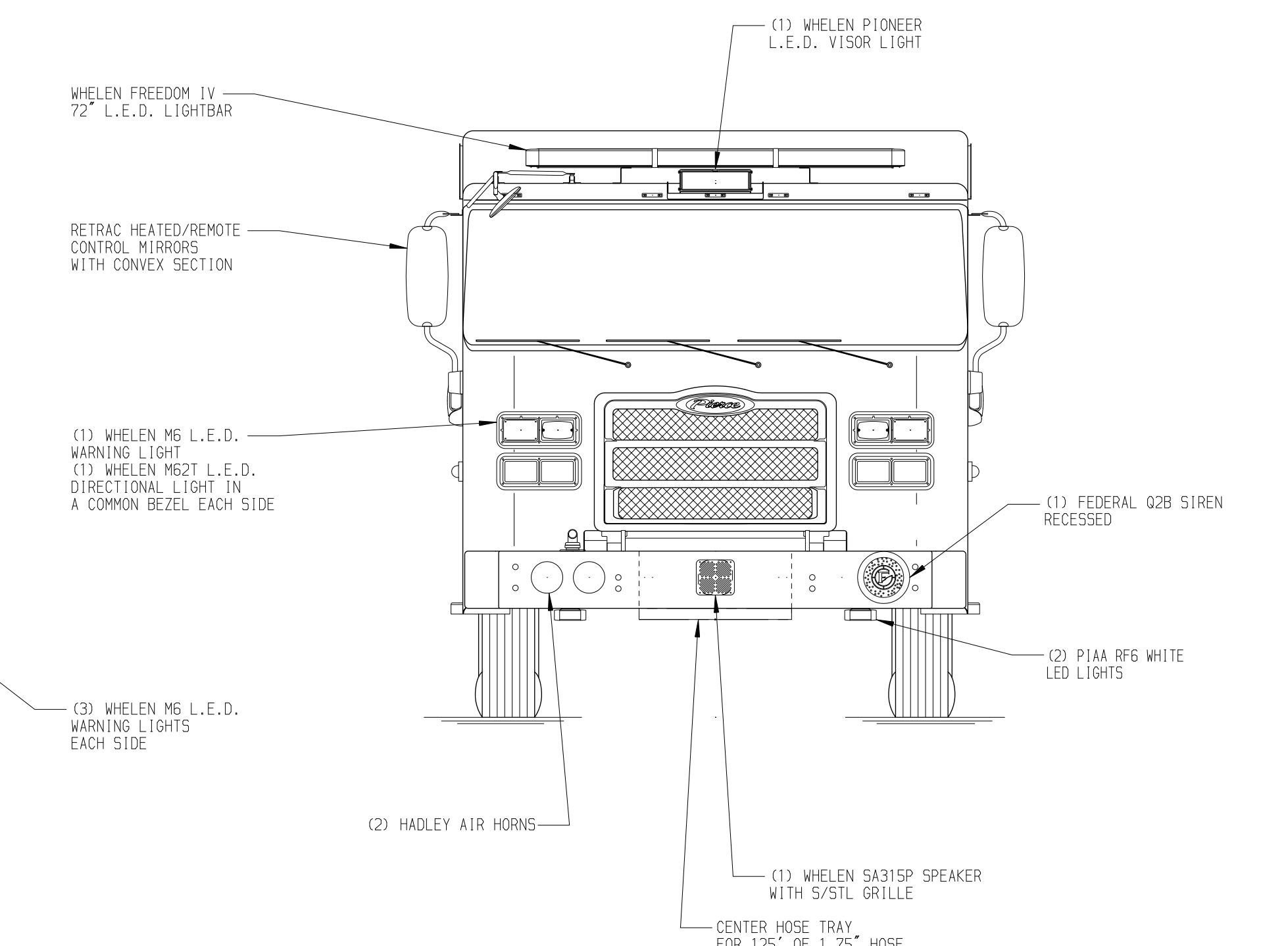
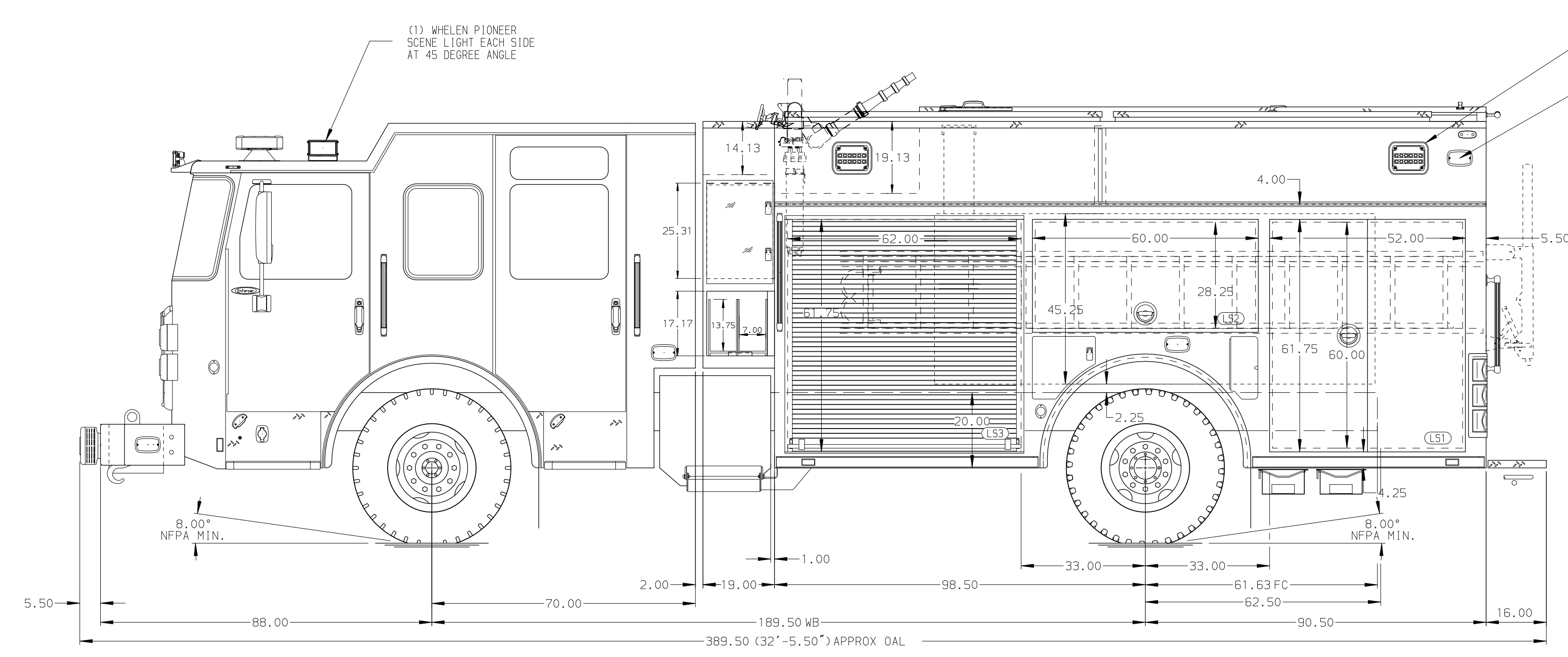
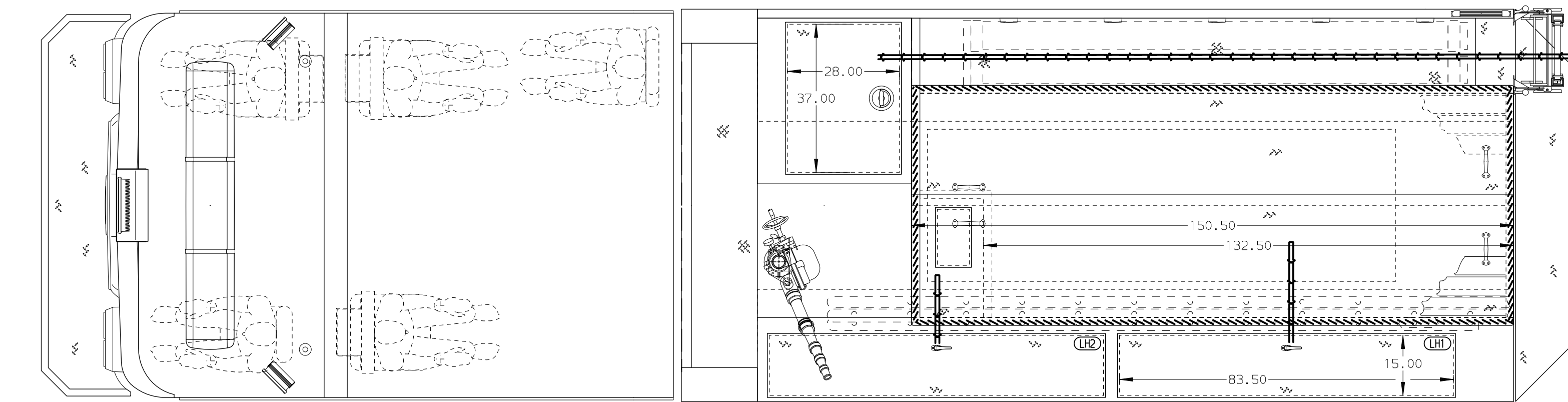
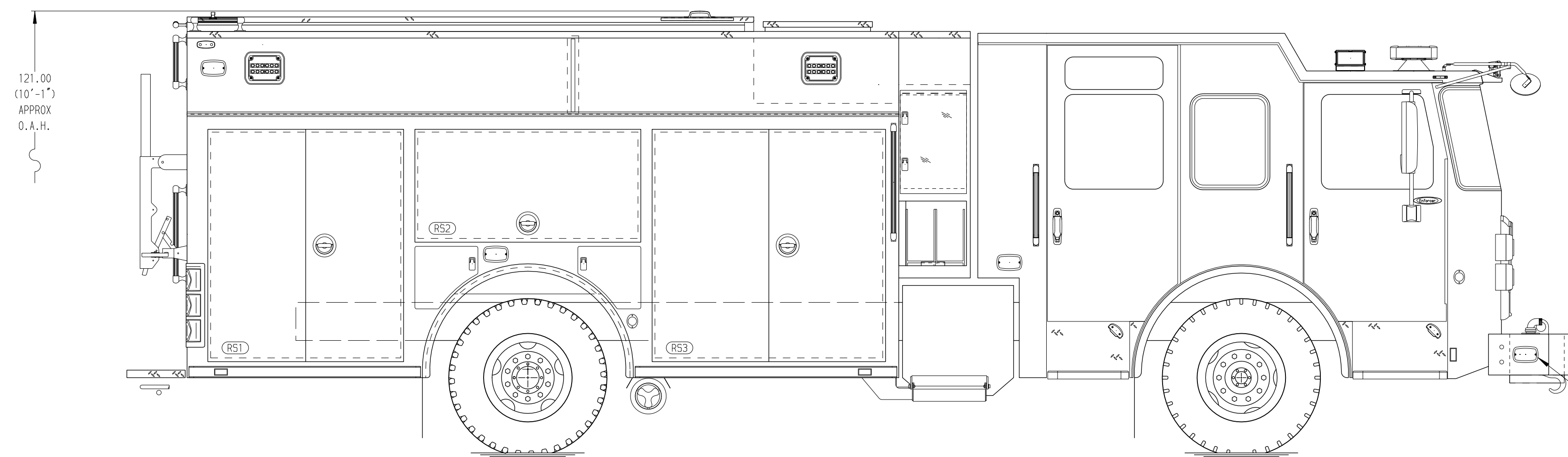
Foam Cell Not Required

Side Roll and Frontal Impact Protection

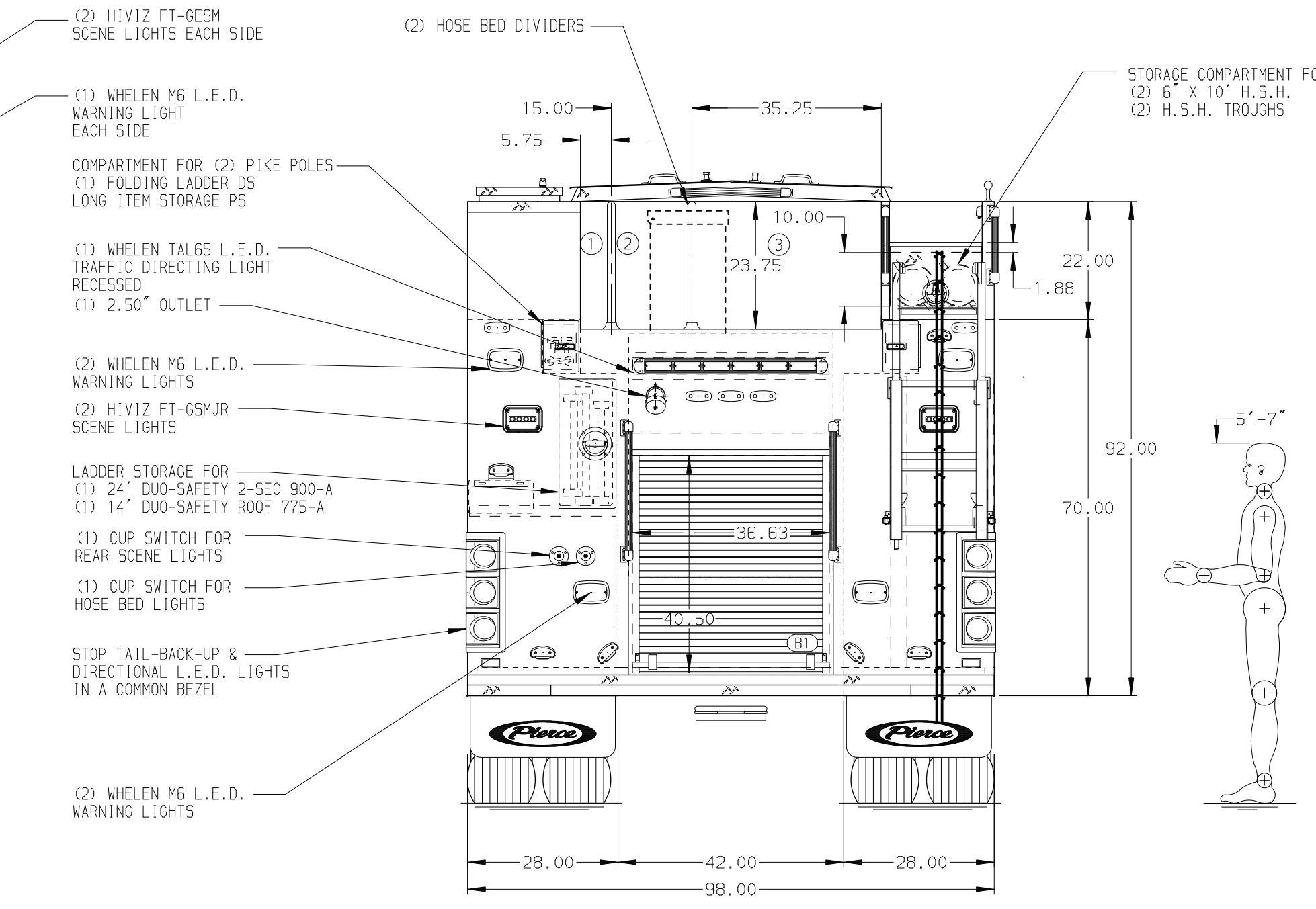
### NOTE

DIMENSIONS SHOWN ARE APPROXIMATE AND ARE SUBJECT TO MINOR DEVIATIONS AS MAY OCCUR OR BE NECESSARY IN CONSTRUCTION. MINOR DETAILS NOT SHOWN.

- ONE 1.50 OUTLET WITH 2.00 PIPING AND SWIVEL LOCATED ON TOP BUMPER RIGHT SIDE
- SHORELINE RECEPTACLE WITH KUSSMAUL SUPER AUTO-EJECT LOCATED DRIVER SIDE STEPELL
- AIR INLET WITH DISCONNECT COUPLING IN THE DRIVER SIDE STEPELL
- AIR OUTLET WITH SHUT OFF VALVE LOCATED PER SHOP ORDER
- BATTERY CHARGER LOCATED PER ORDER
- BATTERY CHARGE INDICATOR LOCATED ON THE DRIVER SIDE SEAT RISER
- THREE ADJUSTABLE SHELVES LOCATED PER ORDER
- ONE SWING-OUT TOOLBOARD LOCATED PER ORDER



HOSEBED CAPACITY	
BED 1	300' OF 2.50" D.J. POLY HOSE
BED 2	700' OF 2.50" D.J. POLY HOSE
BED 3	1200' OF 5.00" D.J. POLY HOSE



		JOB NO.	38845
		SCALE	DATE
TITLE Pierce Pumper Approval Drawing		DRAWN BY	MMF
FOR Depoe Bay		CHECKED BY	COL
DWG NO. 38845AD		SHEET SIZE	D
		SHEET NO.	1 OF 1

REV	DATE	BY	CH	ENFORCER
08SEP23	MMF	ZWE		CHASSIS DATA
08AUG23	WRE	GKH		MAKE
17MAY23	MMF	GKH		PIERCE
10MAY23	MMF	GKH		MODEL