

PUMPER BODY
Medium Aluminum 2nd Gen Pumper

CHASSIS
Enforcer Chassis

CHASSIS AXLE, FRONT, CUSTOM
20,000 Lb Dana Axle

AXLE, REAR
27,000 Lb Dana Axle

ENGINE
400 HP Cummins L9 Engine

TRANSMISSION
Allison 6th Gen, 3000 EVS P

BUMPER
22" Extended Painted Steel

CAB
7010 Enforcer Cab

BODY WATER TANK
750 Gallon New York Style Water Tank

COMPT, PUMPER, REAR
30.75" FF RollUp Rear Compt

COMPT, PUMPER, LEFT SIDE
152" RollUp Full Height & Depth Front & Rear

COMPT, PUMPER, RIGHT SIDE
152" RollUp Full Height Front & Rear FDLER

FIRE SUPPRESSION PUMPHOUSE
45" Control Zone Side Mount

PUMP
1500 GPM Hale QMAX

CROSSLAYS, 1.50"
(1) 1.50" Standard Capacity

CROSSLAYS, 2.50"
(1) 2.50" Standard Capacity

SPEEDLAYS
SpeedLays Not Required

GENERATOR
Generator Not Required

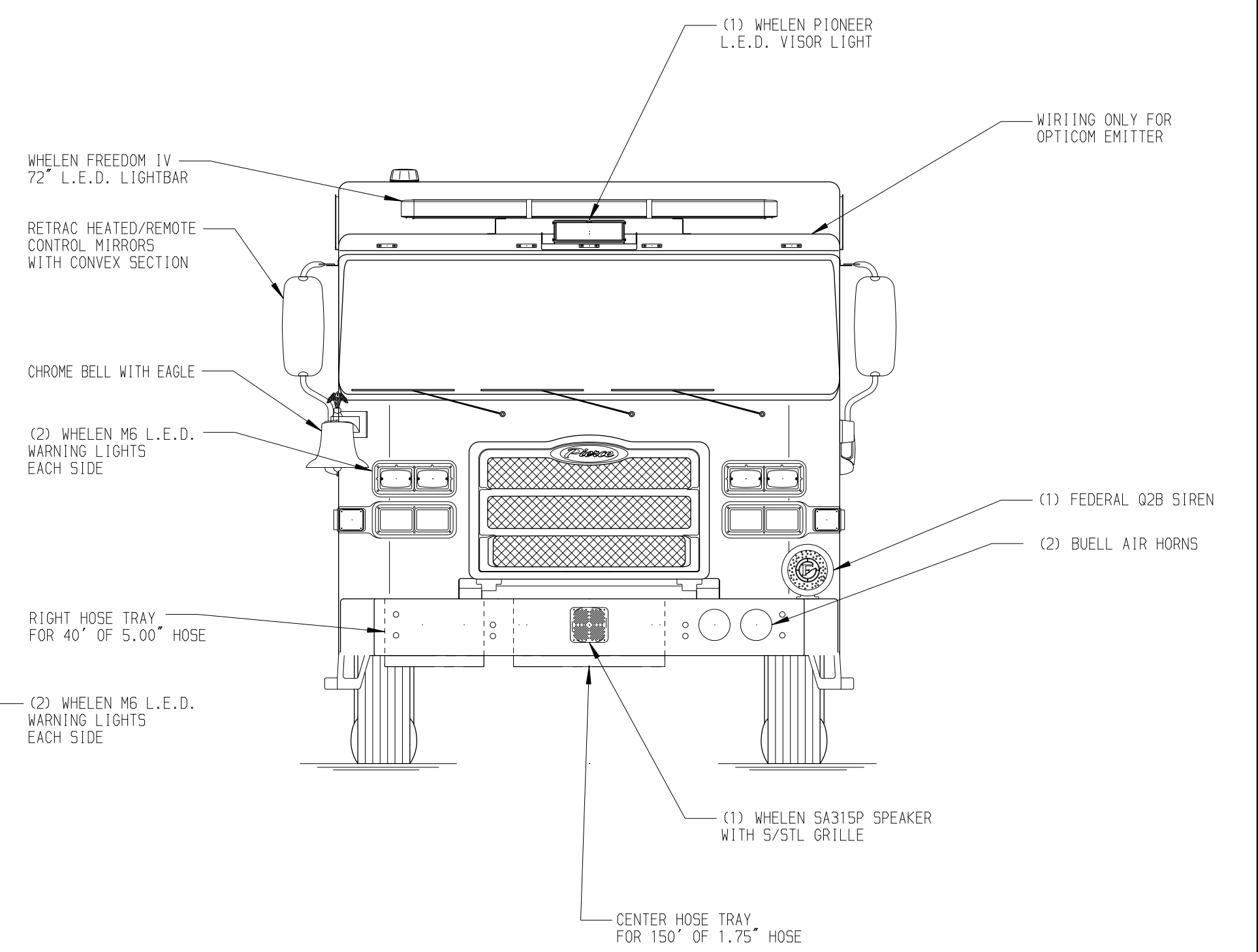
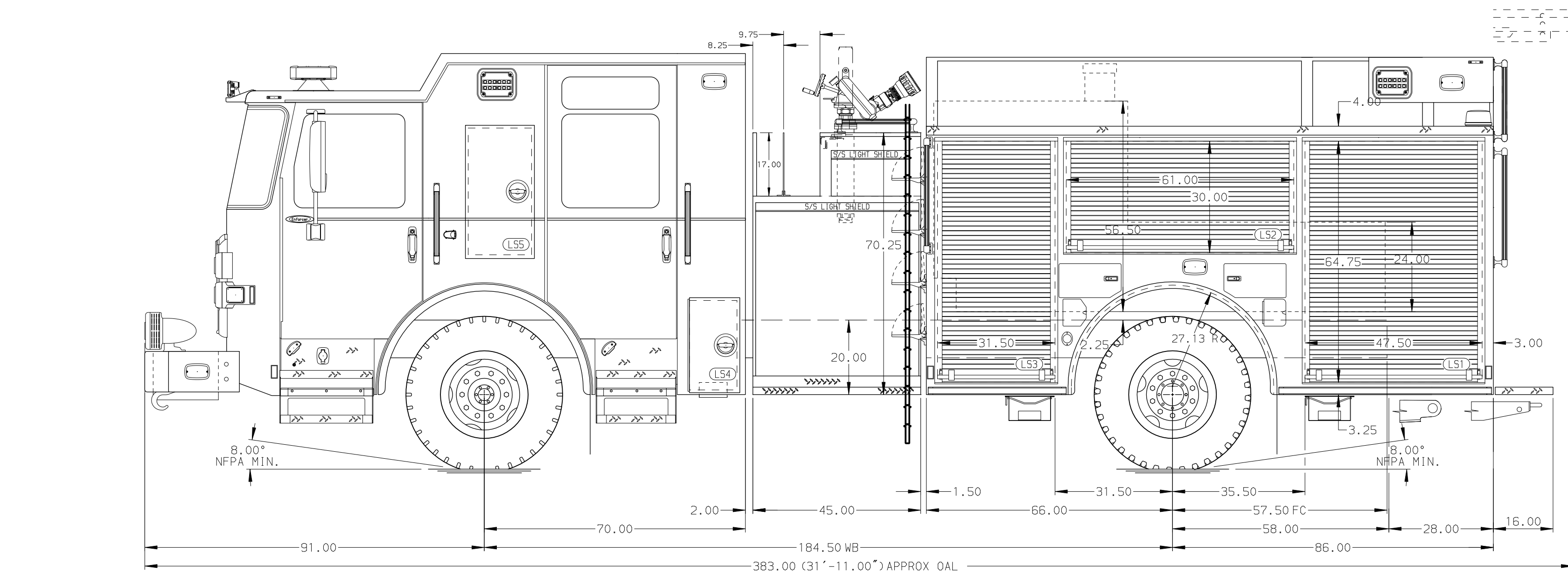
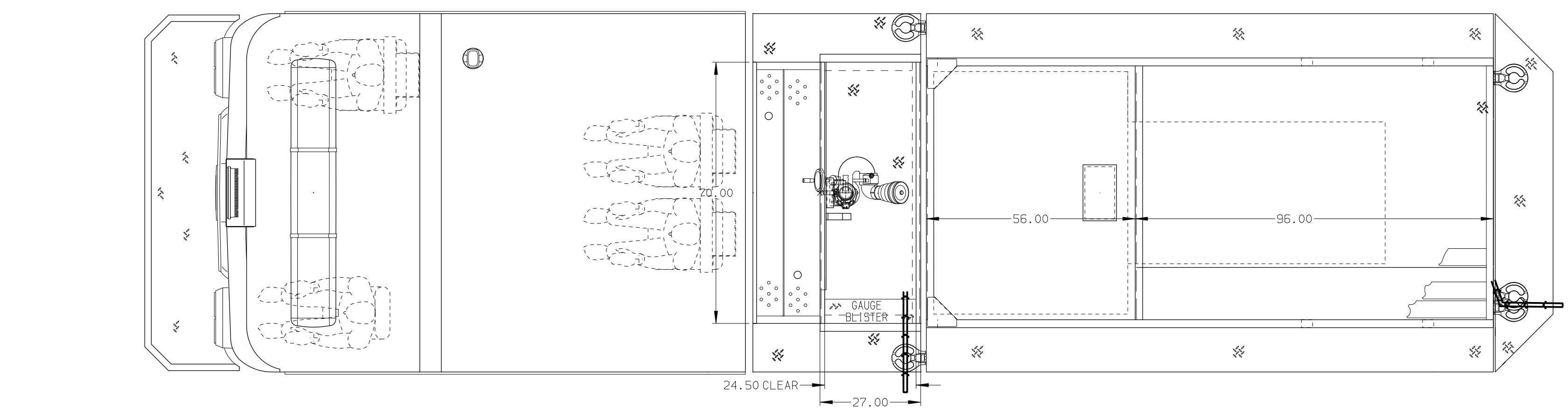
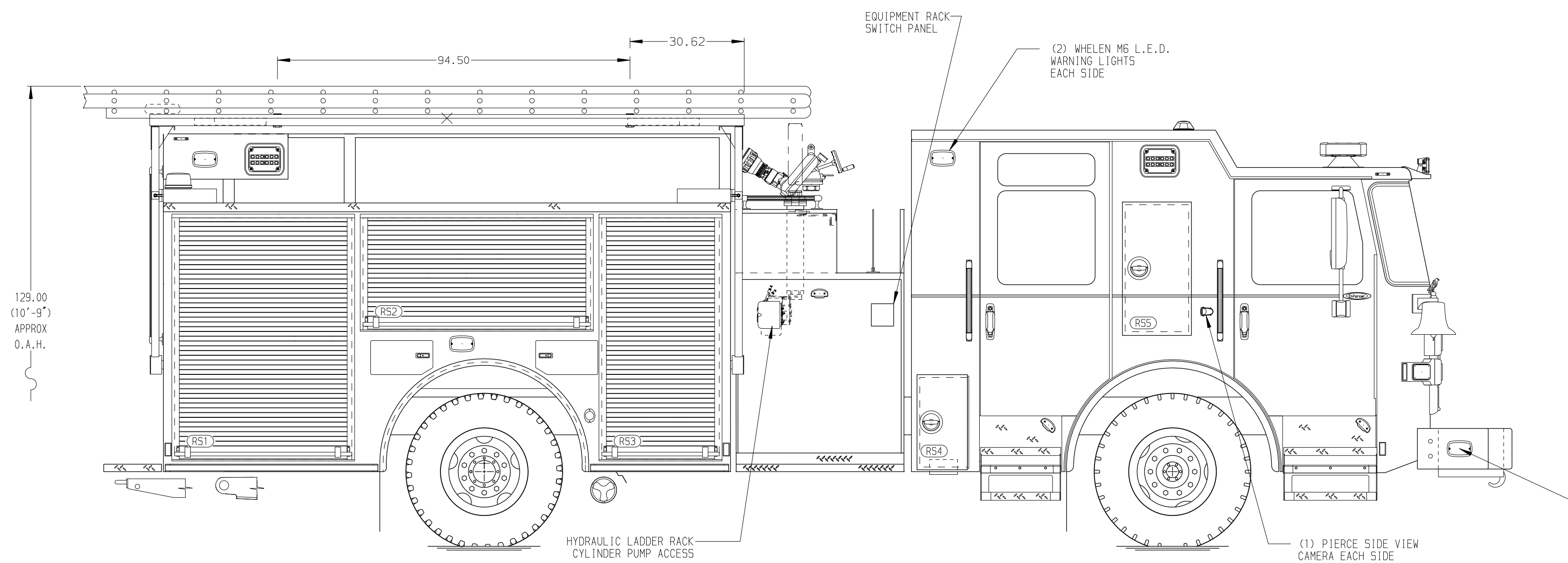
Foam System
Foam System Not Required

Foam Cell
Foam Cell Not Required

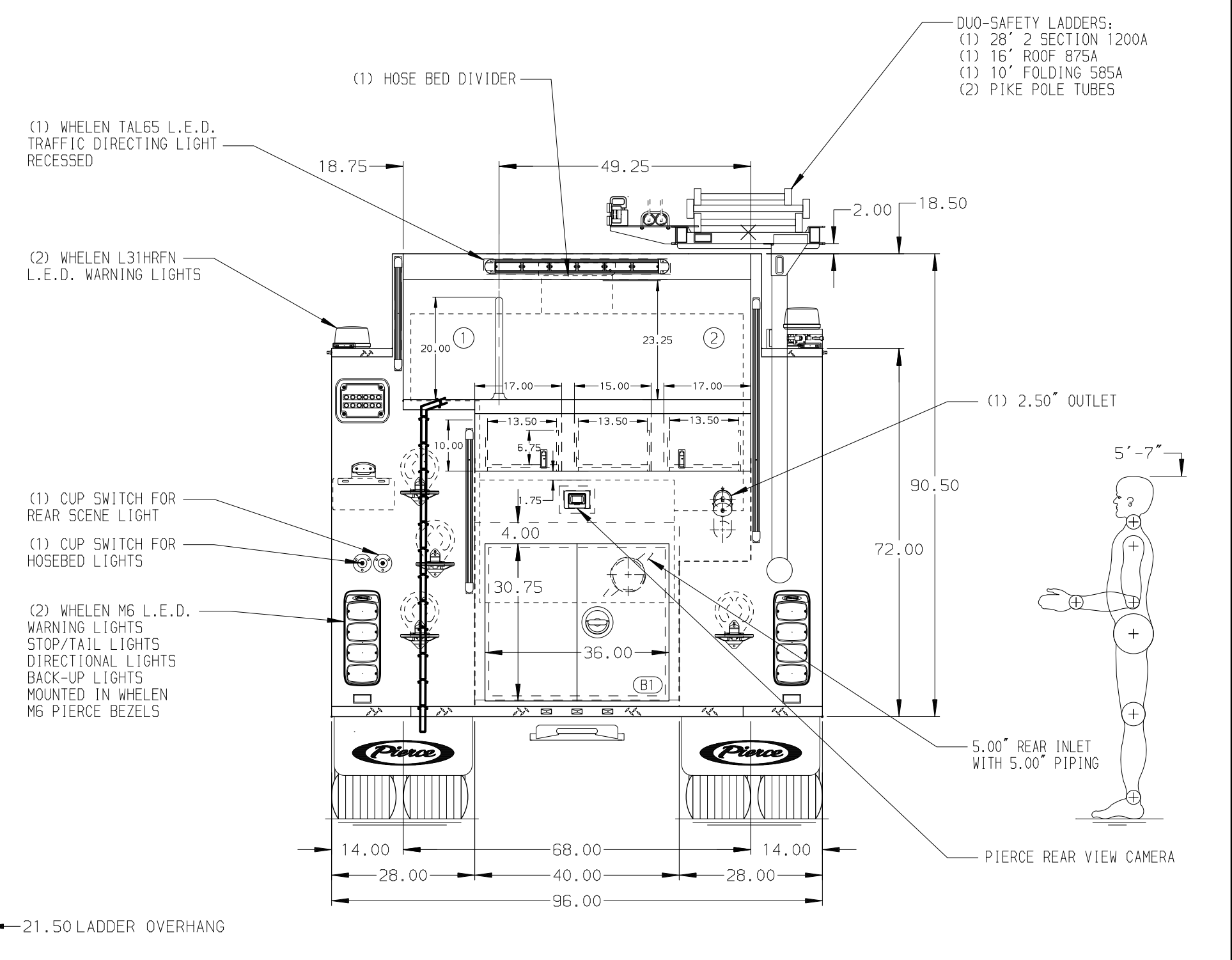
Side Roll and Frontal Impact Protection

NOTE
DIMENSIONS SHOWN ARE APPROXIMATE AND ARE SUBJECT TO MINOR DEVIATIONS AS MAY OCCUR OR BE NECESSARY IN CONSTRUCTION. MINOR DETAILS NOT SHOWN.

- ONE 1.50" OUTLET WITH 2.00" PIPING AND SWIVEL LOCATED IN CENTER BUMPER TRAY
- SHOULDER RECEPTACLE WITH KUSSMAUL SUPER AUTO-EJECT LOCATED DRIVER SIDE STEPWELL
- AIR INLET WITH DISCONNECT COUPLING IN THE DRIVER SIDE STEPWELL
- BATTERY CHARGER LOCATED PER ORDER
- BATTERY CHARGE INDICATOR LOCATED ON THE DRIVER SIDE SEAT RISER
- SIX ADJUSTABLE SHELVES LOCATED PER ORDER
- THREE FLOOR MOUNTED SLIDE-OUT TRAY LOCATED PER ORDER
- TWO TILT/SLIDE-OUT TRAYS LOCATED PER SHOP ORDER



HOSEBED CAPACITY	
BED 1	600' OF 2.50" D.J. POLY HOSE
BED 2	1000' OF 5.00" D.J. POLY HOSE



CUSTOMER APPROVAL			
APPROVED BY:			
DATE:			
REV	DATE	BY	CH

Pierce MANUFACTURING INC.		JOB NO.	38849
TITLE	Pierce Pumper Approval Drawing	SCALE	1:24
DATE		DATE	
MAKE	Pierce	DRAWN BY	MMF
FOR	City of Naperville Fire Department	CHECKED BY	COL
MODEL	ENFORCER	SHEET SIZE	D
DWG NO.	38849AD	SHEET NO.	1 OF 1