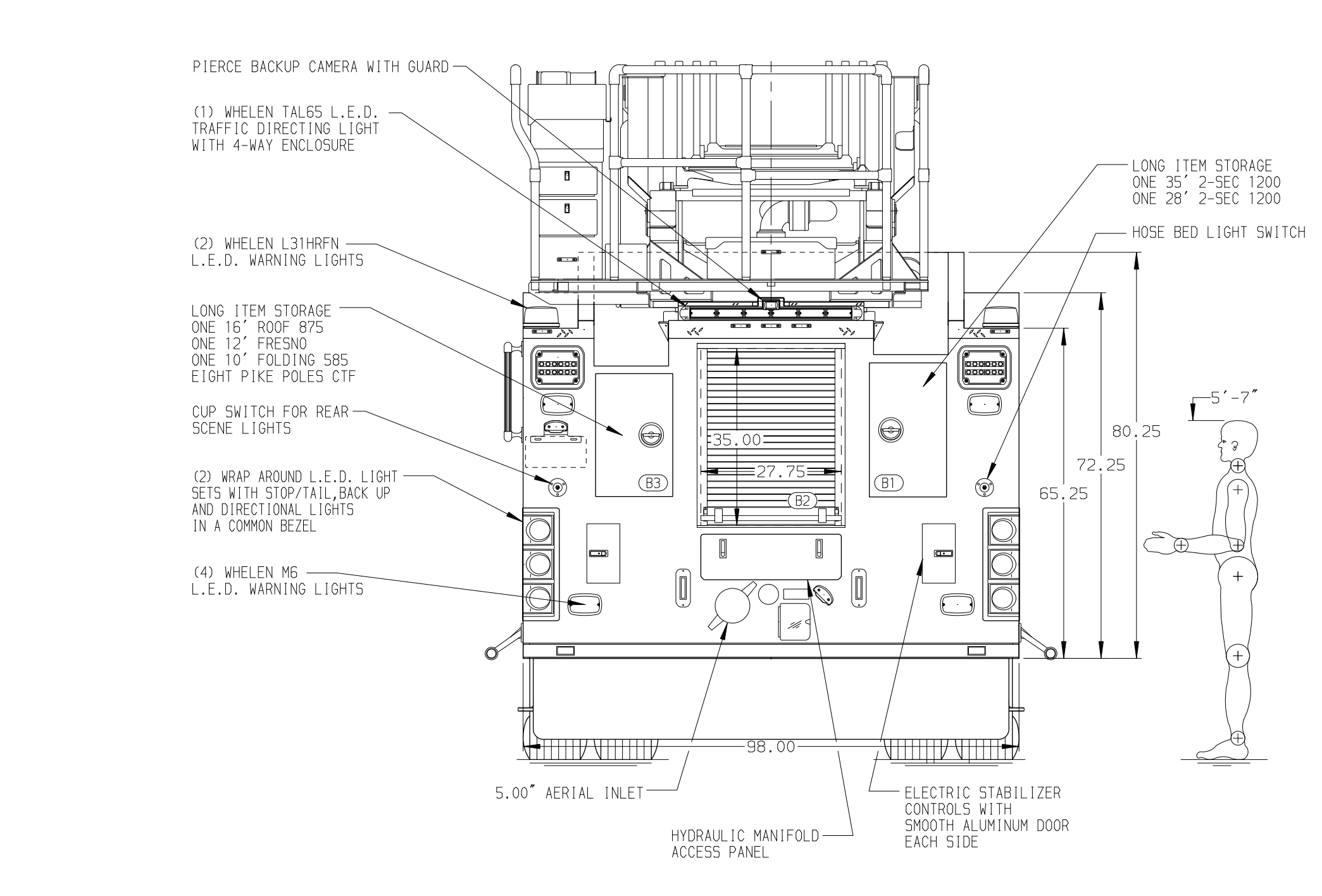
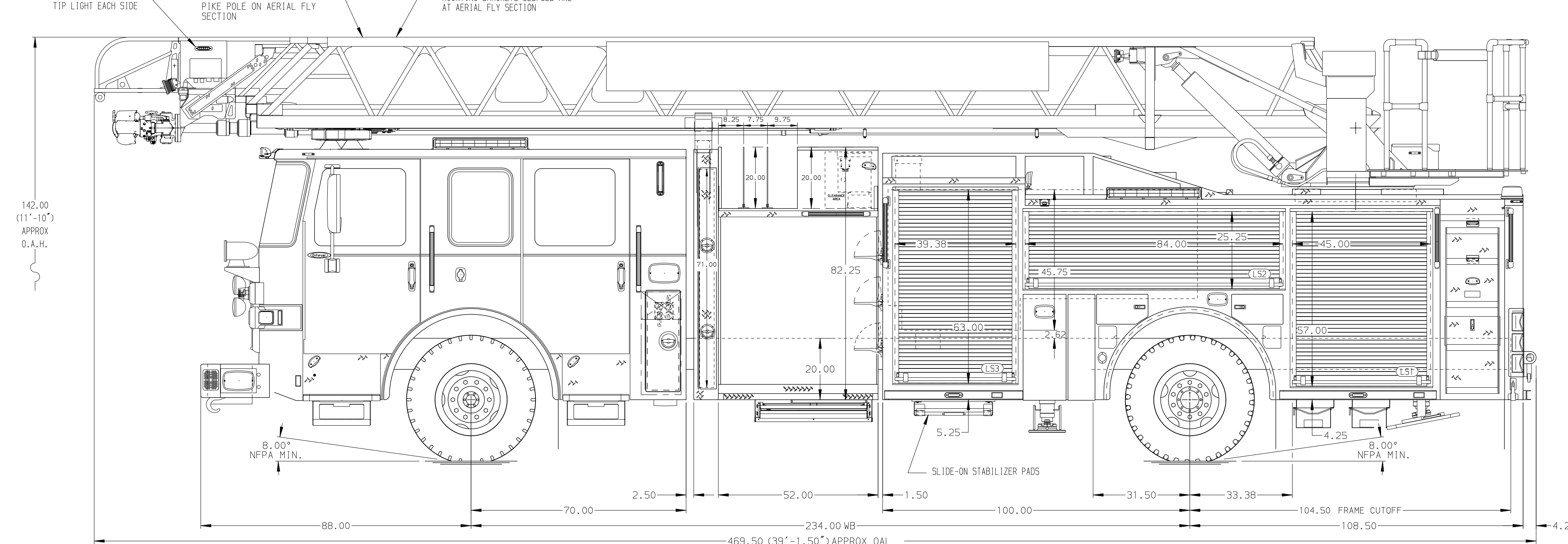


BODY 107' ASL Aluminum Body COMPT, LEFT SIDE FRONT Full Height RollUp Forward COMPT, LEFT SIDE REAR Full Height RollUp Rearward COMPT, RIGHT SIDE FRONT Full Height RollUp Forward COMPT, RIGHT SIDE REAR Full Height RollUp Rearward	WATER TANK 500 Gallon Poly Water Tank Foam System Husky 3 Single Agent Foam System Foam Cell 20 Gallon Foam Cell, Not Reduced Water
---	---



CHASSIS Enforcer Chassis	CAB 7000 Enforcer Cab	AXLE, FRONT, CUSTOM 22,800 Lb Hendrickson Steertek	TRANSMISSION Allison 6th Gen, 3000 EVS P	PUMPHOUSE 52" Control Zone Side Mount	CROSSLAYS, 1.50" (2) 1.50" Standard Capacity	SPEEDLAYS Speedlays Not Required	SAFETY Side Roll and Frontal Impact Protection
ENGINE 450 HP Cummins L9 Engine	BUMPER 19" Extended Painted Steel	AXLE, REAR 33,500 Lb Meritor Axle		PUMP 2000 GPM Waterous CSU	CROSSLAYS, 2.50" (1) 2.50" Standard Capacity	GENERATOR Generator Not Required	

NOTE DIMENSIONS SHOWN ARE APPROXIMATE AND ARE SUBJECT TO MINOR DEVIATIONS AS MAY OCCUR OR BE NECESSARY IN CONSTRUCTION. MINOR DETAILS NOT SHOWN.	1. ONE 1.50 OUTLET WITH 2.00 PIPING AND SWIVEL LOCATED IN CENTER BUMPER TRAY 2. SHORELINE RECEPTACLE WITH KUSSMAUL SUPER AUTO-EJECT LOCATED ON DRIVER SIDE OF THE CAB 3. AIR INLET WITH DISCONNECT COUPLING IN THE DRIVER SIDE STEPWELL 4. BATTERY CHARGER LOCATED PER ORDER 5. BATTERY CHARGE INDICATOR LOCATED ON THE DRIVER SIDE SEAT RISER 6. SIX ADJUSTABLE SHELVES LOCATED PER ORDER 7. FOUR FLOOR MOUNTED SLIDE-OUT TRAYS LOCATED PER ORDER 8. NON-RAISED AERIAL PEDESTAL 9. LIFTING EYE ROPE RESCUE ATTACHMENT AT AERIAL TIP 10. 1500 GPM HIGH FLOW WATERWAY	11. ONSPOT AUTOMATIC TIRE CHAINS 12. ATR OUTLET WITH SHUTOFF VALVE ON DRIVES SIDE PUMP PANEL 13. PULL STRAPS FOR ROLL DOORS PER ORDER 14. ONE SWING-OUT TOOLBOARD PER ORDER 15. ONE VERTICAL PARTITION PER ORDER 16. SIX PEGBOARDS ON BACK WALL OF COMPARTMENTS PER ORDER 17. HUSKY 3 FOAM SYSTEM 18. RING LIGHTING LIGHTS ON AERIAL LADDER
--	---	--

		JOB NO.	38860
MANUFACTURING INC.		SCALE	1:24
107' ASCENDANT AERIAL LADDER AND BODY ASSEMBLY		DATE	10APR23
TITLE		DRAWN BY	LWE
FOR LEWISBURG FD DESOTO COUNTY, MS		CHECKED BY	NAK
DWG NO.		SHEET SIZE	D
38860AD		SHEET NO.	1 OF 1

REV	DATE	BY	CH	ENFORCER
31AUG23	LWE	AST	MAKE	
23AUG23	LWE	AST	PIERCE	
21JUN23	LWE	AST	MODEL	