

PUMPER BODY
Medium Aluminum 2nd Gen Pumper

CHASSIS
Enforcer Chassis

CHASSIS AXLE, FRONT, CUSTOM
19,500 Lb TAK-4 Axle

AXLE, REAR
24,000 Lb Dana Axle

ENGINE
450 HP Cummins L9 Engine

TRANSMISSION
Allison 6th Gen, 3000 EVS P

BUMPER
19" Extended Painted Steel

CAB
6000 Enforcer Cab

BODY WATER TANK
750 Gallon New York Style Water Tank

COMPT, PUMPER, REAR
30.75" FF Lap Rear Compt

COMPT, PUMPER, LEFT SIDE
152" Lap Full Height Front & Rear FOLER

COMPT, PUMPER, RIGHT SIDE
152" Lap Full Height Front & Rear FOLER

FIRE SUPPRESSION PUMPHOUSE
45" Control Zone Side Mount

PUMP
1500 GPM Waterous CSU

CROSSLAYS, 1.50"
(2) 1.50" Standard Capacity

CROSSLAYS, 2.50"
2.50" Crosslay Not Required

SPEEDLAYS
Speedlays Not Required

GENERATOR
Generator Not Required

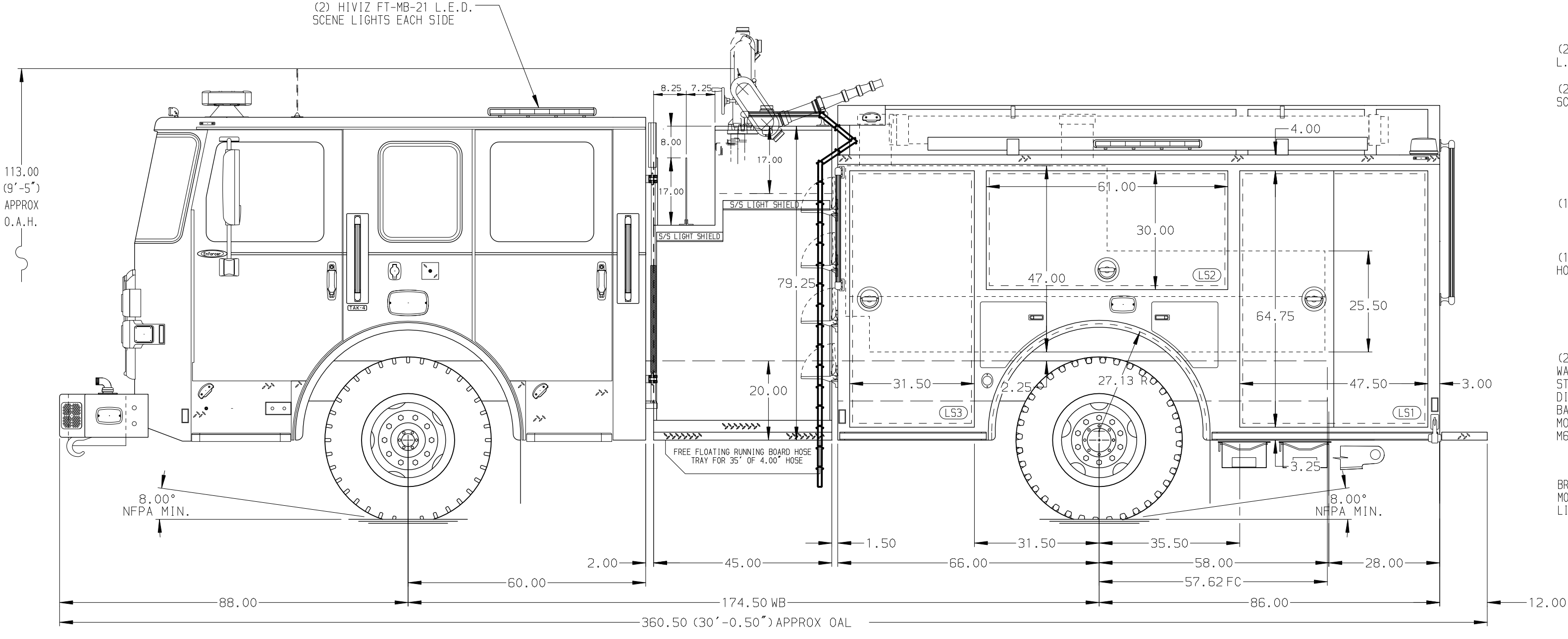
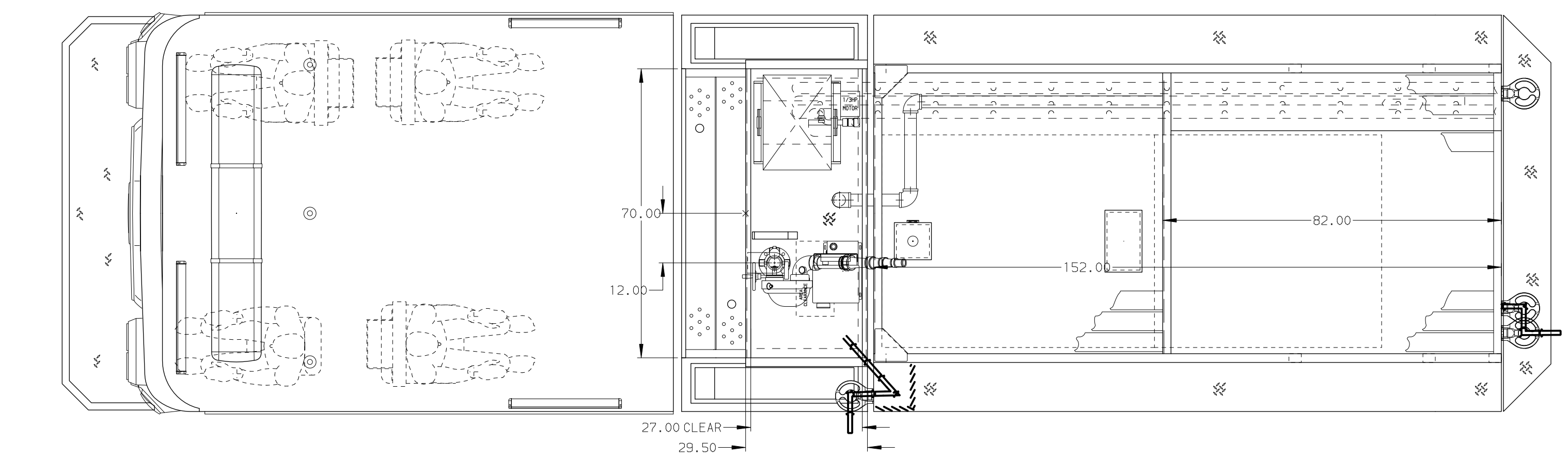
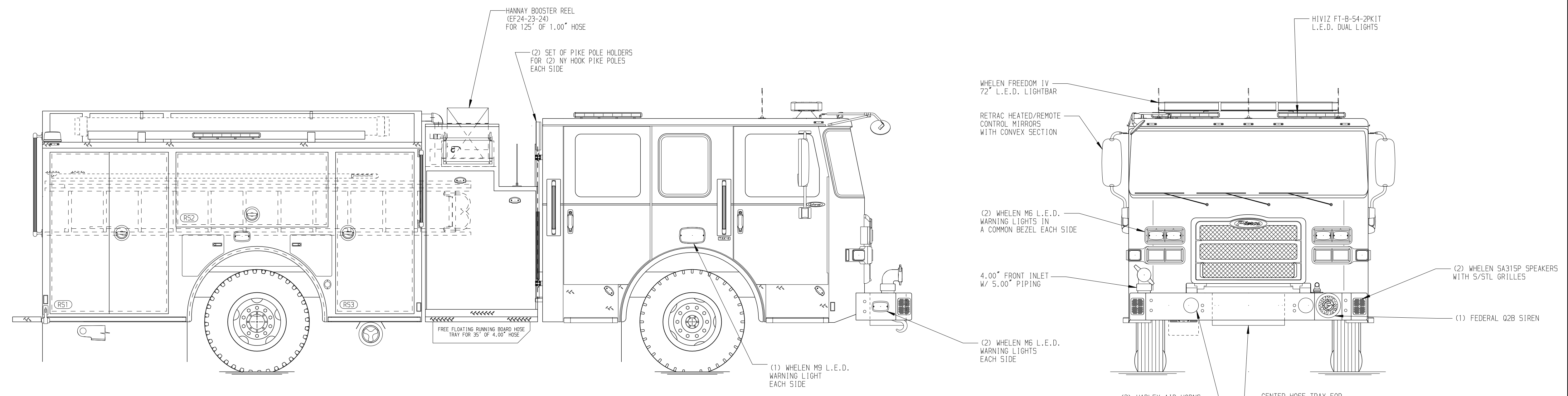
Foam System
Husky 3 Single Agent Foam System

Foam Cell
20 Gal/Lon Foam Cell, Not Reduced Water

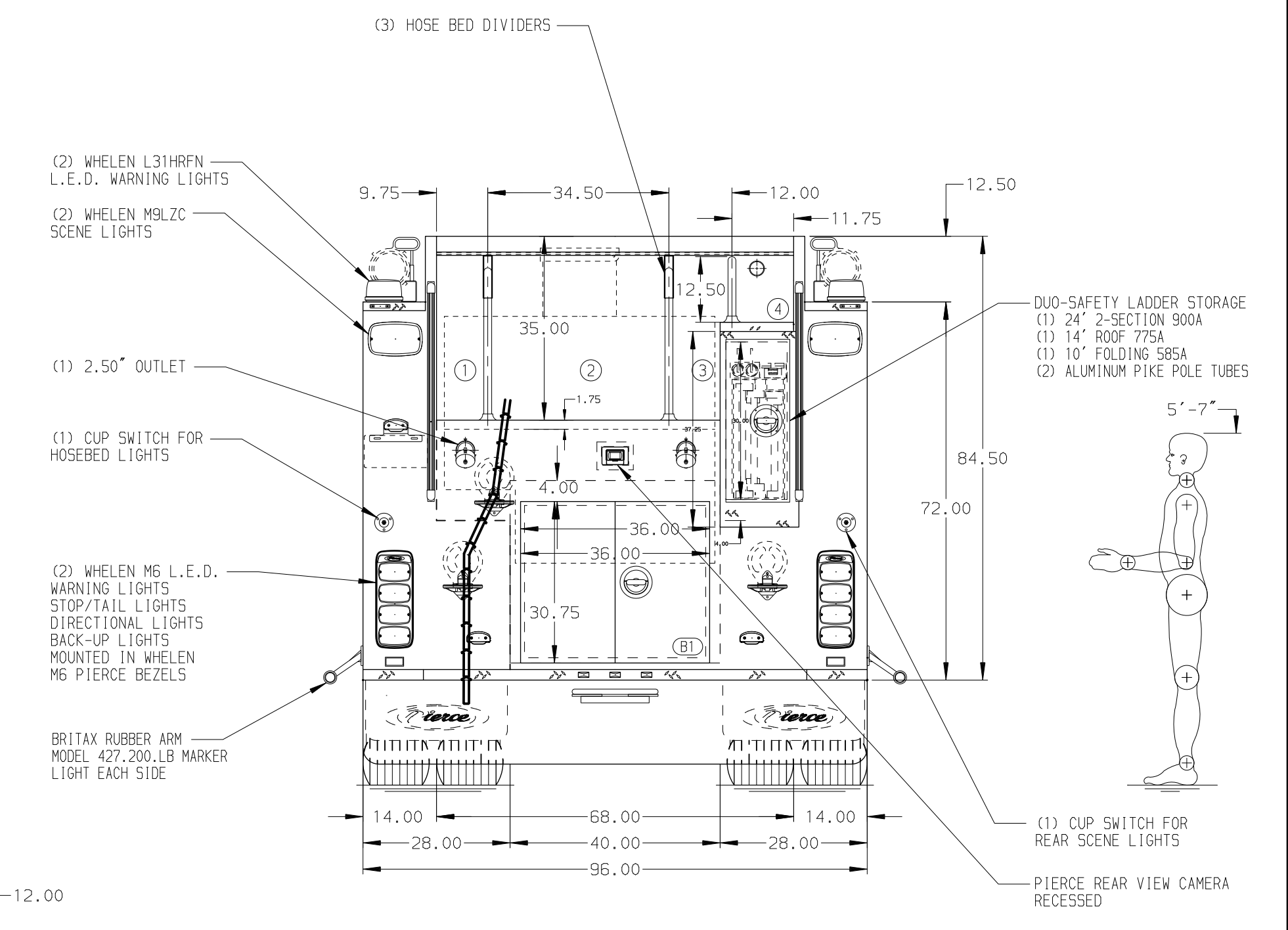
Side Roll and Frontal Impact Protection

NOTE
DIMENSIONS SHOWN ARE APPROXIMATE AND ARE SUBJECT TO MINOR DEVIATIONS AS MAY OCCUR OR BE NECESSARY IN CONSTRUCTION. MINOR DETAILS NOT SHOWN.

1. AUTOMATIC TIRE CHAINS
2. ONE 1.50" OUTLET WITH 2.00" PIPING AND SWIVEL LOCATED ON TOP BUMPER LEFT SIDE
3. SHORELINE RECEPTACLE WITH KUSSMAUL SUPER AUTO-EJECT LOCATED ON DRIVER SIDE OF THE CAB
4. AIR INLET WITH DISCONNECT COUPLING ON THE DRIVER SIDE ABOVE FRONT TIRE
5. BATTERY CHARGER LOCATED BEHIND PASSENGER'S SEAT
6. BATTERY CHARGE INDICATOR LOCATED ON THE DRIVER SIDE SEAT RISER
7. EIGHT ADJUSTABLE SHELVES LOCATED PER ORDER
8. ONE FLOOR MOUNTED SLIDE-OUT TRAY LOCATED PER ORDER
9. TWO SWING-OUT TOOLBOARDS LOCATED PER ORDER
10. JUMPER STUDS DRIVER SIDE STEPNELL



HOSEBED CAPACITY	
BED 1	300' OF 2.50" D.J. POLY HOSE
BED 2	1000' OF 4.00" D.J. POLY HOSE
BED 3	300' OF 2.50" D.J. POLY HOSE
BED 4	200' OF 2.50" D.J. POLY HOSE



MAXIMUM O.A.H. - 113.00"

		JOB NO.	38864
		SCALE	DATE
		DRAWN BY	27FEB23
		CHECKED BY	06MAR23
		SHEET SIZE	SHEET NO.
		D	1 OF 1

REV	DATE	BY	CH	ENFORCER
1	15SEP23	MMF	JLL	MAKE
2	07JUN23	WRE	JLL	PIERCE
3	26APR23	MMF	JLL	MODEL

TITLE	Pierce Pumper Approval Drawing
FOR	Hopkinton Fire Department
DWG NO.	38864AD