

**RIGHT SIDE COMPARTMENTS CONTAIN THE FOLLOWING:**

COMPARTMENT RS1 CONTAINS:

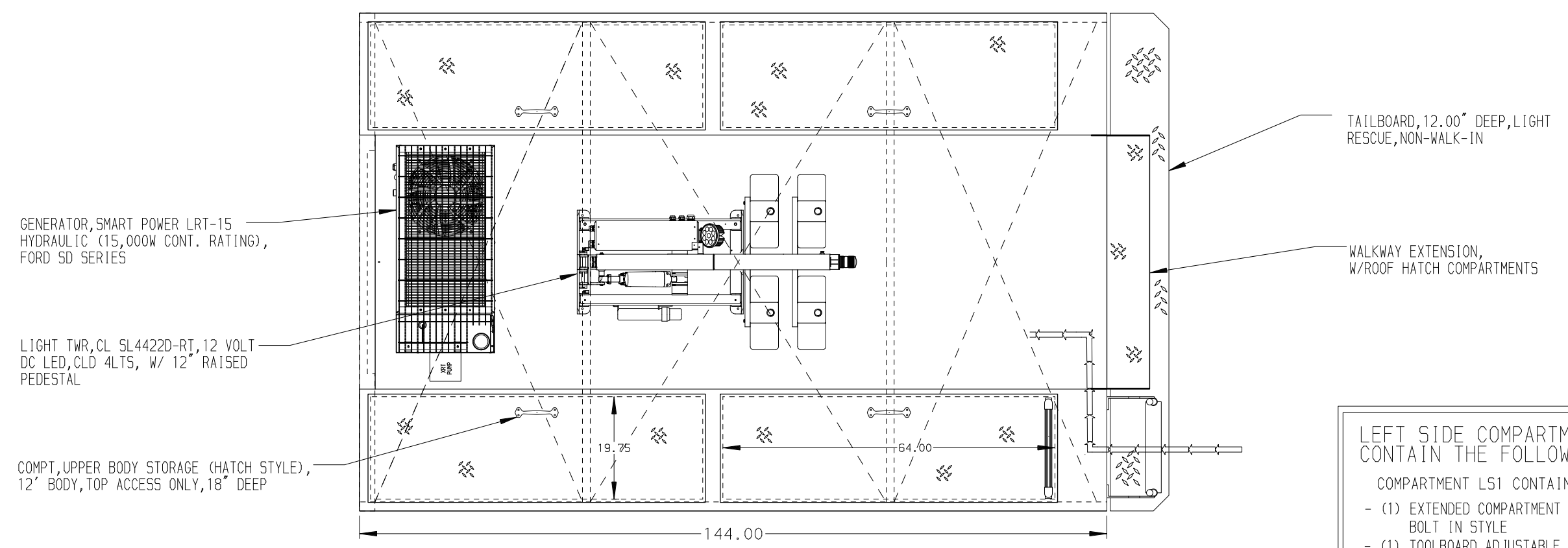
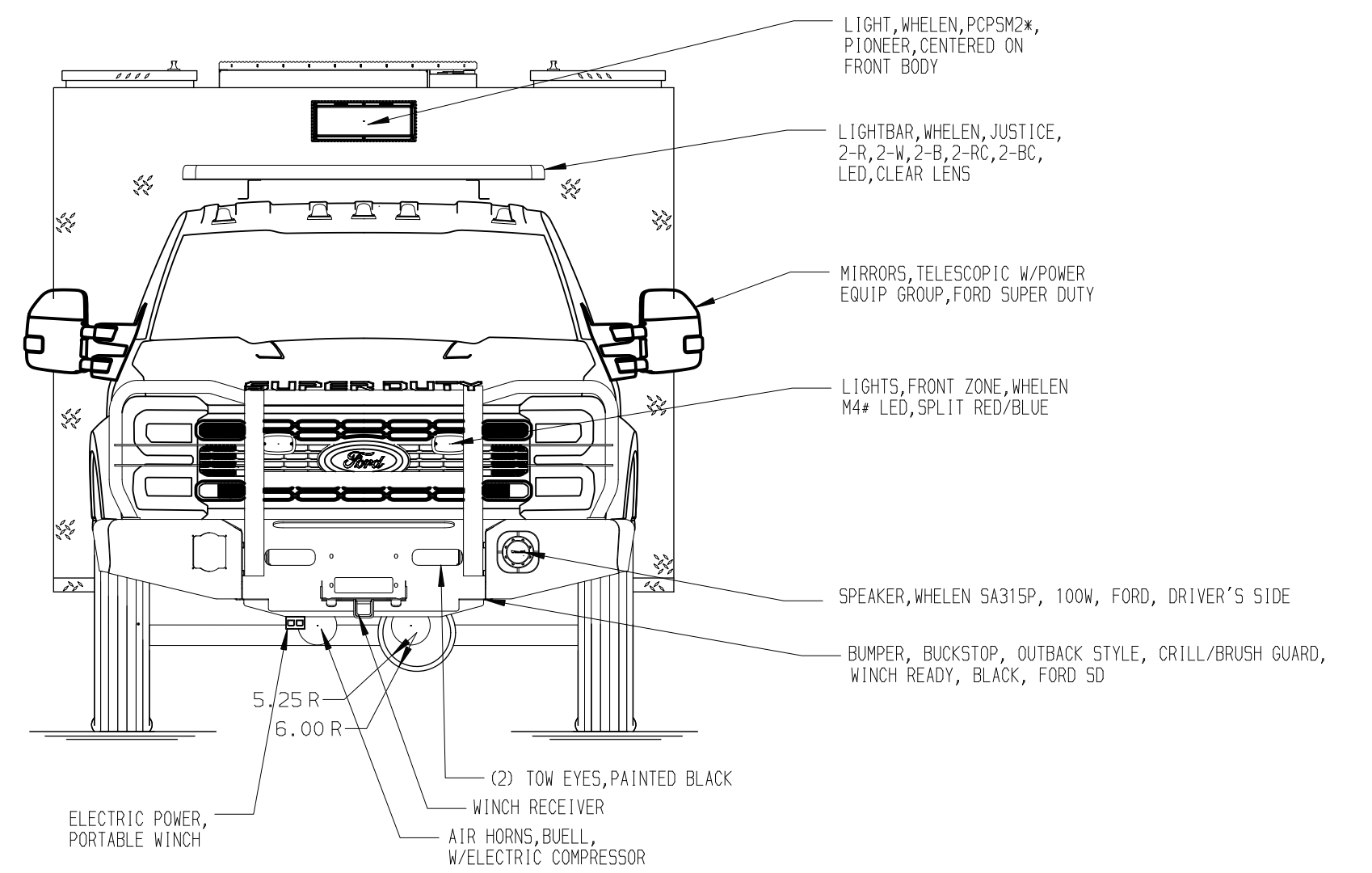
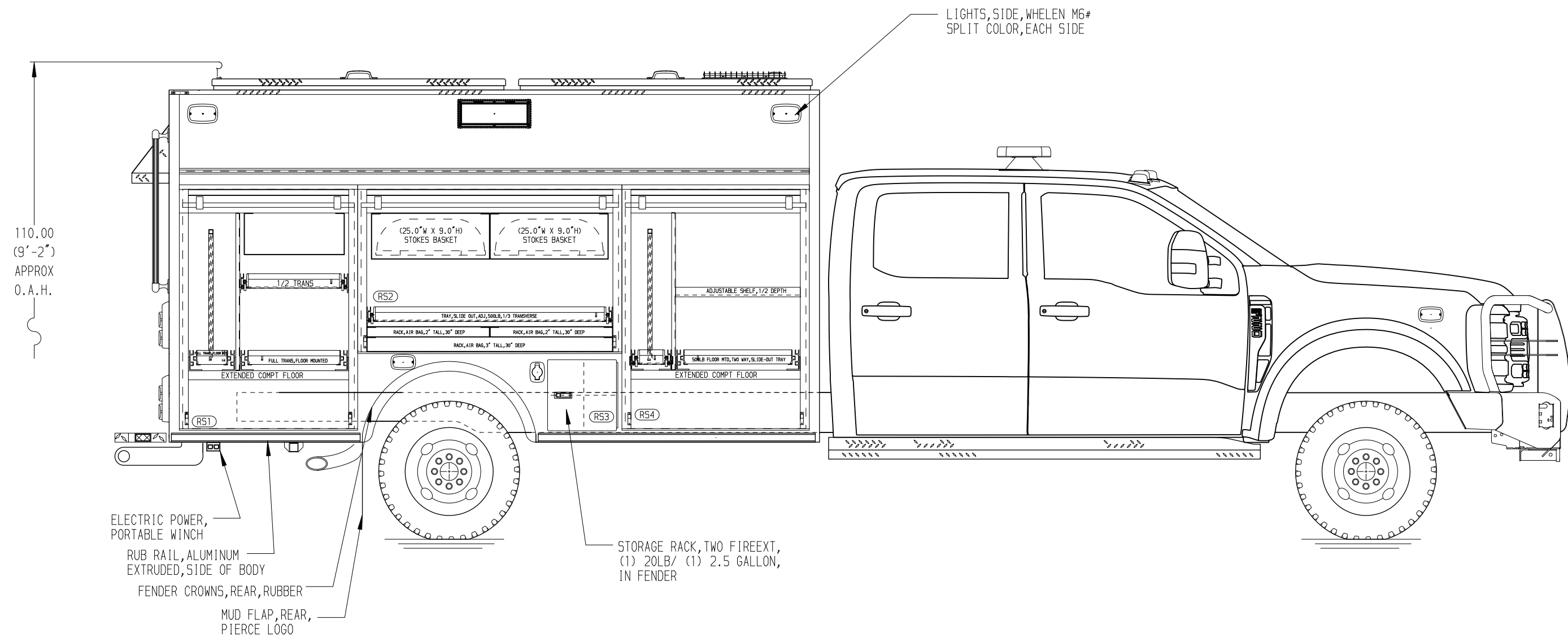
- (1) EXTENDED COMPARTMENT FLOOR BOLT IN STYLE
- (1) TRAY, SLIDE OUT, 1/2 TRANSVERSE, ADJUSTABLE HEIGHT, 500 LB CAP., FORWARD OF VERTICAL PARTITION

COMPARTMENT RS2 CONTAINS:

- (1) TRAY, SLIDE OUT, 1/3 DEPTH OF TRANSVERSE, ADJ HEIGHT, 500 LB CAP.
- (3) RACKS, AIR BAGS, HORIZONTAL WITH SLOTS W/COMPARTMENT NOTCH

COMPARTMENT RS4 CONTAINS:

- (1) EXTENDED COMPARTMENT FLOOR BOLT IN STYLE
- (1) SHELF, ADJUSTABLE, 500 LB CAP., 1/2 DEPTH OF TRANSVERSE, FORWARD OF VERTICAL PARTITION



**LEFT SIDE COMPARTMENTS CONTAIN THE FOLLOWING:**

COMPARTMENT LS1 CONTAINS:

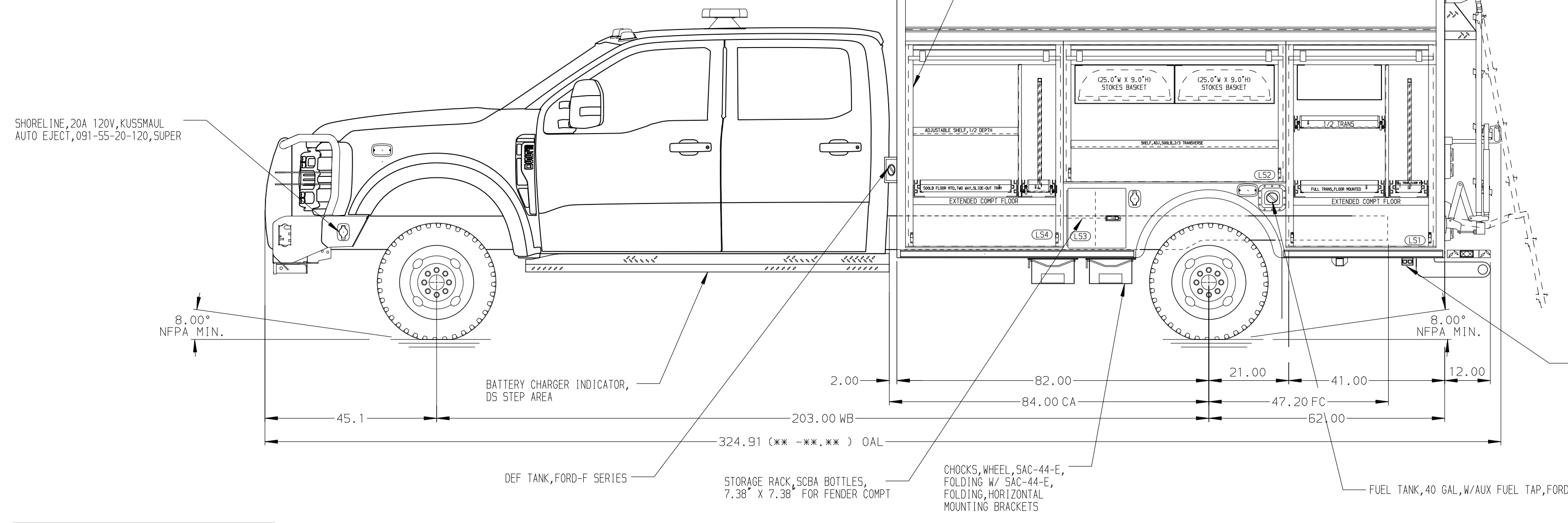
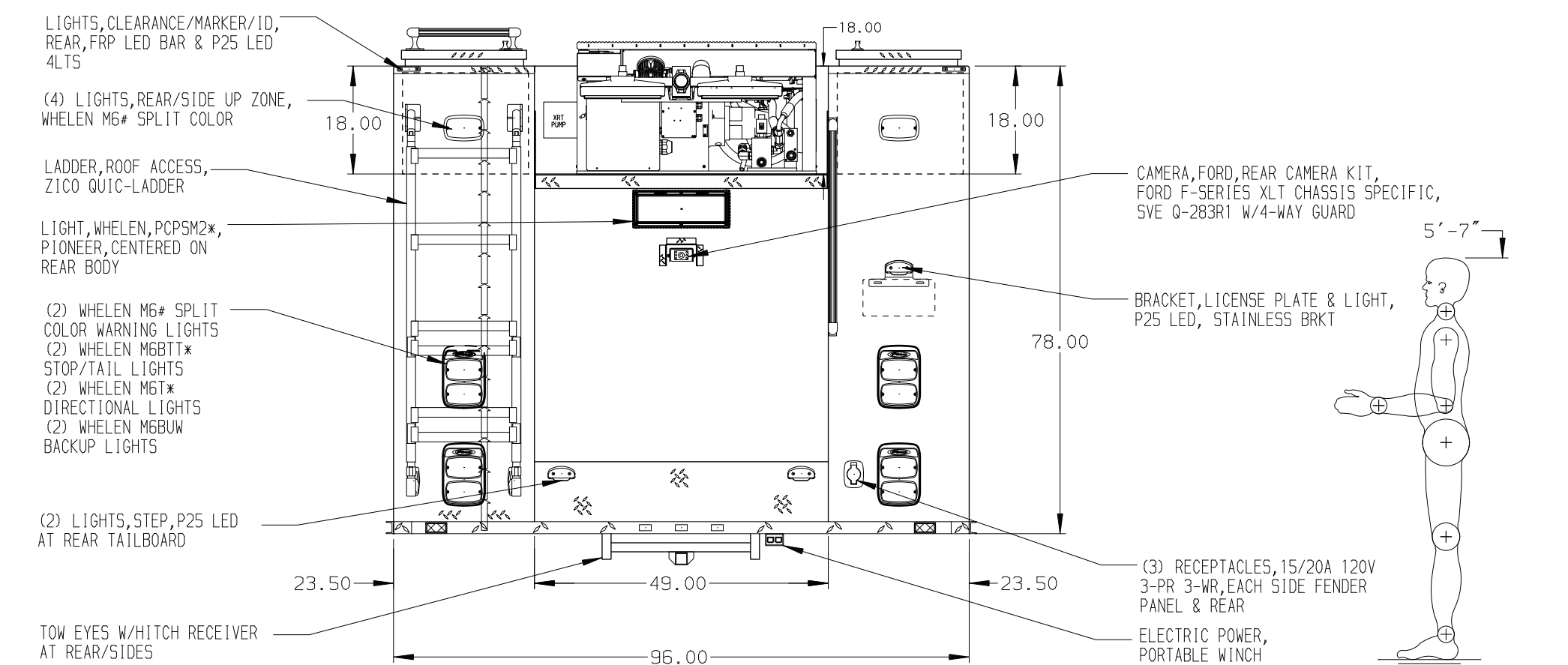
- (1) EXTENDED COMPARTMENT FLOOR BOLT IN STYLE
- (1) TOOLBOARD, ADJUSTABLE, ADDED TO SLIDE-OUT TRAY, FULL DEPTH TRANSVERSE, TRAY NOT INC
- (1) COMPARTMENT DIVIDER, VERTICAL, 16" FROM REAR CLEAR DOOR OPENING, TRANSVERSE
- (1) TRAY, SLIDE OUT, 1/2 TRANSVERSE, ADJUSTABLE HEIGHT, 500 LB CAP., FORWARD OF VERTICAL PARTITION
- (2) TRAY, FLOOR MOUNTED UTILITY, 2-WAY SLIDE OUT, 500\* 3 SIDES, FULL TRANS, EACH SIDE OF VERTICAL PARTITION

COMPARTMENT LS2 CONTAINS:

- (2) RACKS, STOKES BASKET STORAGE, ROOF MOUNTED, HORIZONTAL
- (1) SHELF, ADJUSTABLE, 500 LB CAP., 2/3 DEPTH OF TRANSVERSE

COMPARTMENT LS4 CONTAINS:

- (1) EXTENDED COMPARTMENT FLOOR BOLT IN STYLE
- (1) SHELF, ADJUSTABLE, 500 LB CAP., 1/2 DEPTH OF TRANSVERSE, FORWARD OF VERTICAL PARTITION
- (1) TOOLBOARD, ADJUSTABLE, SLIDE OUT, FULL LENGTH, 2-WAY, W/TRAY
- (1) COMPARTMENT DIVIDER, VERTICAL, 9" FROM REAR CLEAR DOOR OPENING, TRANSVERSE
- (1) TRAY, FLOOR MOUNTED UTILITY, 2-WAY SLIDE OUT, 500\* 3 SIDES, FULL TRANS, FORWARD OF VERTICAL PARTITION
- (1) RACK, TRIPOD STORAGE, TRANSVERSE COMPT



**ALUMINUM BODY**

**NOTE**  
DIMENSIONS SHOWN ARE APPROXIMATE AND ARE SUBJECT TO MINOR DEVIATIONS AS MAY OCCUR OR BE NECESSARY IN CONSTRUCTION. MINOR DETAILS NOT SHOWN.

|         |      |     |       |
|---------|------|-----|-------|
| REV.    | DATE | BY  | CHK'D |
| 09FEB24 | RHU  | JAP |       |
| 16NOV23 | RWR  | JAP |       |

|  |   |            |         |
|--|---|------------|---------|
| <p>MANUFACTURING INC.<br/>BRADENTON, FLORIDA</p> |   | JOB NO.    | 38887   |
|  |   | DATE       | 28SEP23 |
| TITLE  | 12' RESCUE, NON-WALK-IN, ROLL-UP DOORS        | SCALE      | 1:24    |
| FOR  | URBANDALE FIRE DEPARTMENT-IA<br>URBANDALE, IA | DRAWN BY   | RWR     |
| DRWG. NO.  | 38887AD                                       | CHK'D BY   | AJA     |
|  |   | SHEET NO.  | 1 OF 1  |
|  |   | SHEET SIZE | D       |