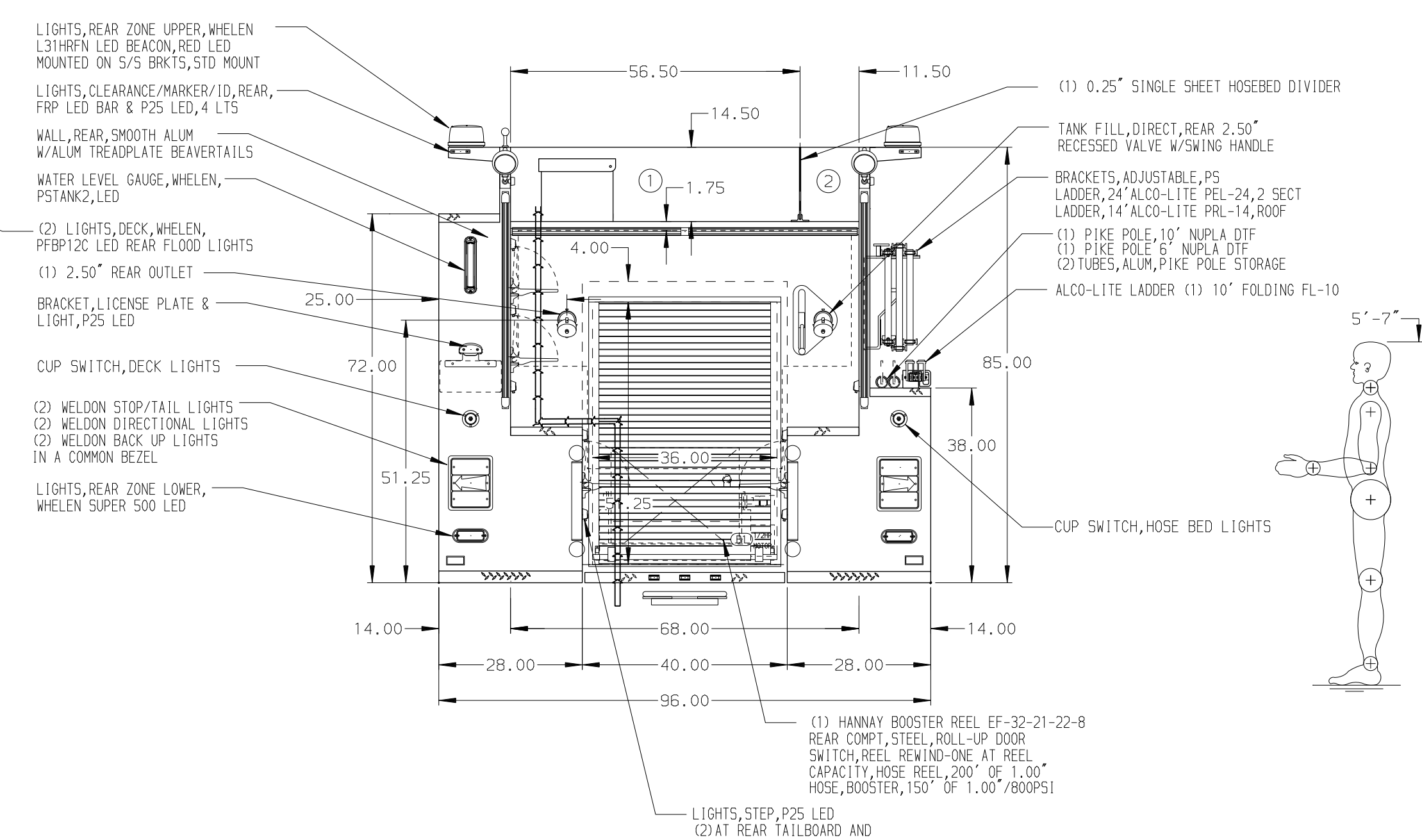
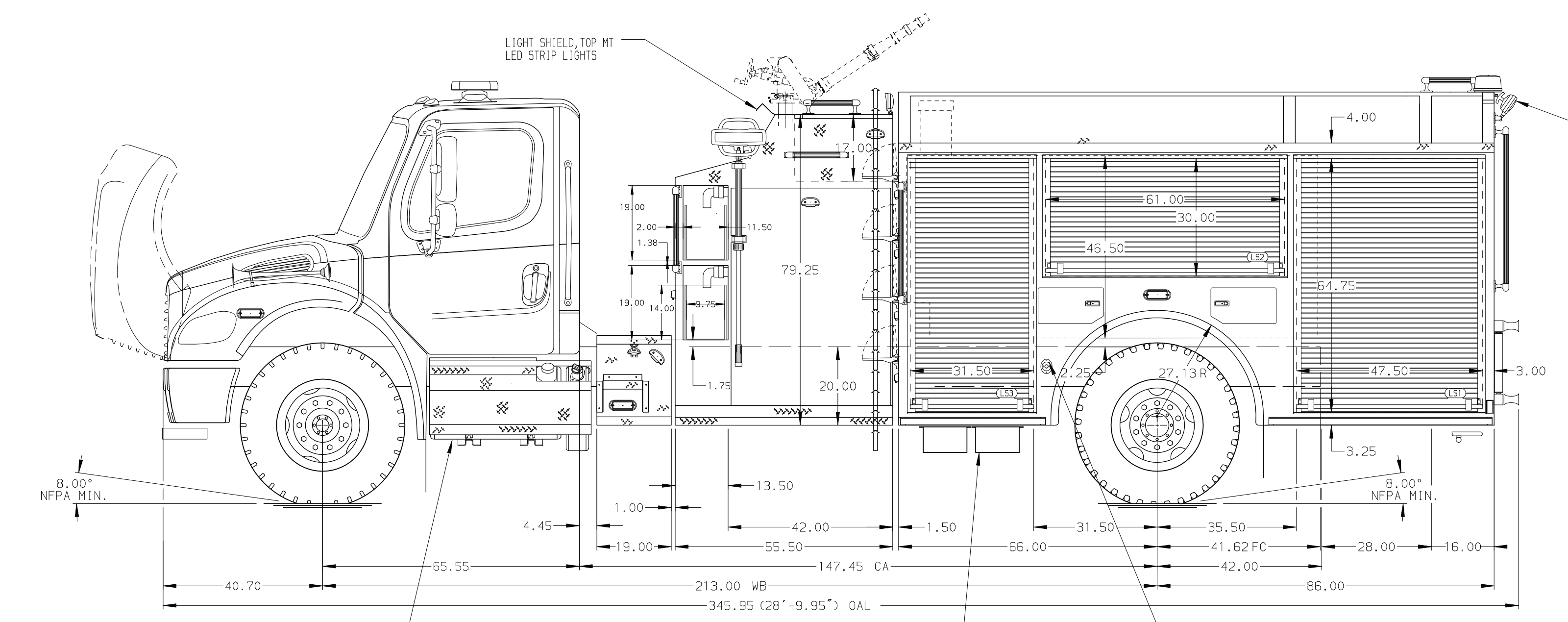


- HOSEBED CAPACITIES
- ① 1500' OF 2.50" D.J. POLYESTER HOSE
  - ② 400' OF 1.50" D.J. POLYESTER HOSE



ALUMINUM BODY      MAXIMUM O.A.L. 346.00" = 28' 10.00"      MAXIMUM O.A.H. 117" = 9' 9.00"

**NOTE**  
DIMENSIONS SHOWN ARE APPROXIMATE AND ARE SUBJECT TO MINOR DEVIATIONS AS MAY OCCUR OR BE NECESSARY IN CONSTRUCTION. MINOR DETAILS NOT SHOWN.

REV	DATE	BY	CH	M2-106
060CT23	RWR	JAP		CHASSIS DATA
07AUG23	RHU	JAP		MAKE
19JUN23	JLA	AJA		FL PLUS
				MODEL
				M2-106

**Pierce MANUFACTURING INC.**

JOB NO. 38896

SCALE 1:24 DATE

DRAWN BY JLA 09JUN23

CHECKED BY AJA 09JUN23

SHEET SIZE D SHEET NO. 1 OF 1

TITLE 1250-D-1000 POLY, 152" BDY, LS FULL HGT, RS LOW 42" TOP MOUNT, W/19" WALKWAY, (2) 1.5" SPEEDLAYS W/PTRAYS

FOR PANOLA COUNTY, MS BATESVILLE, MISSISSIPPI

DWG NO. 38896AD