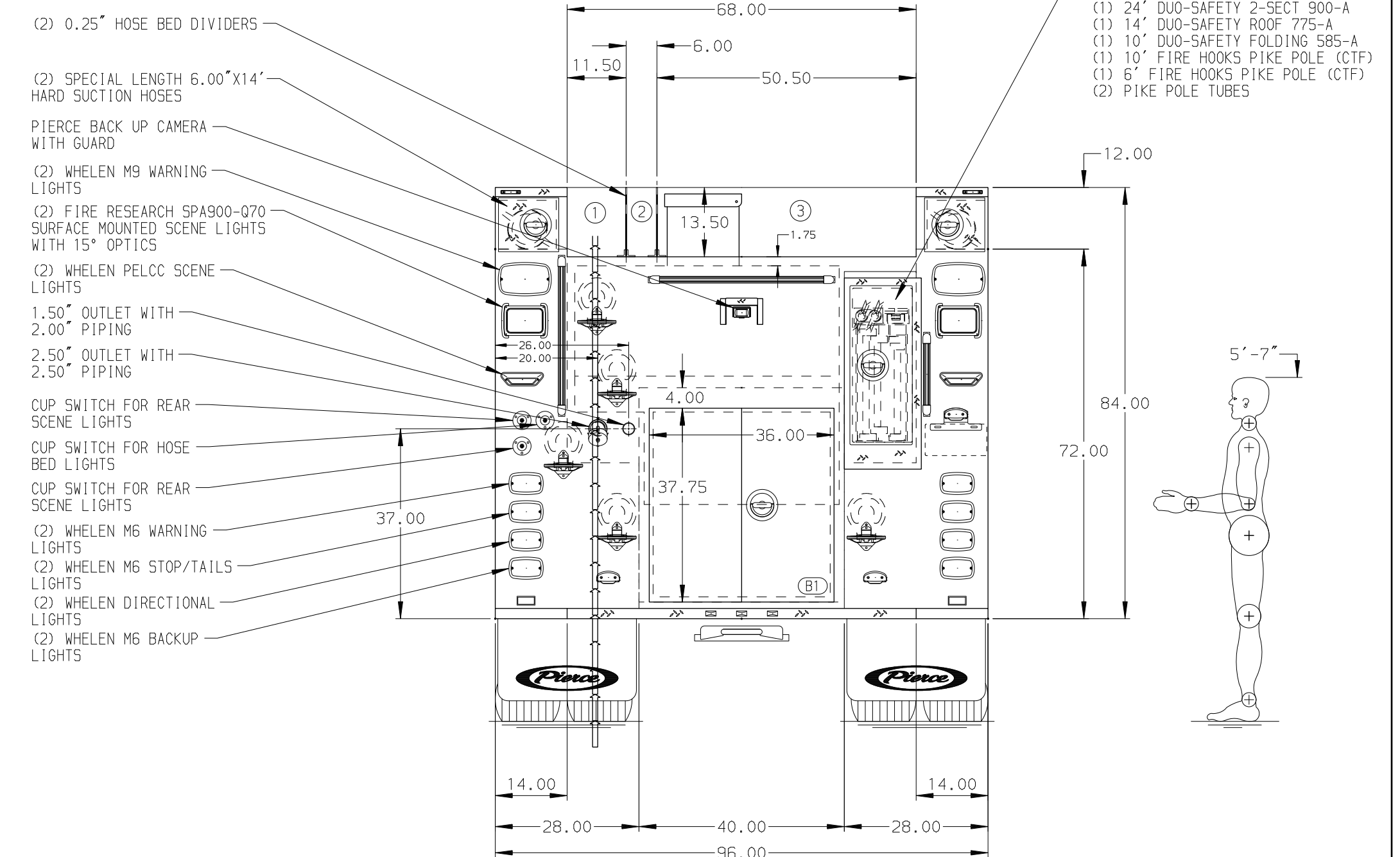
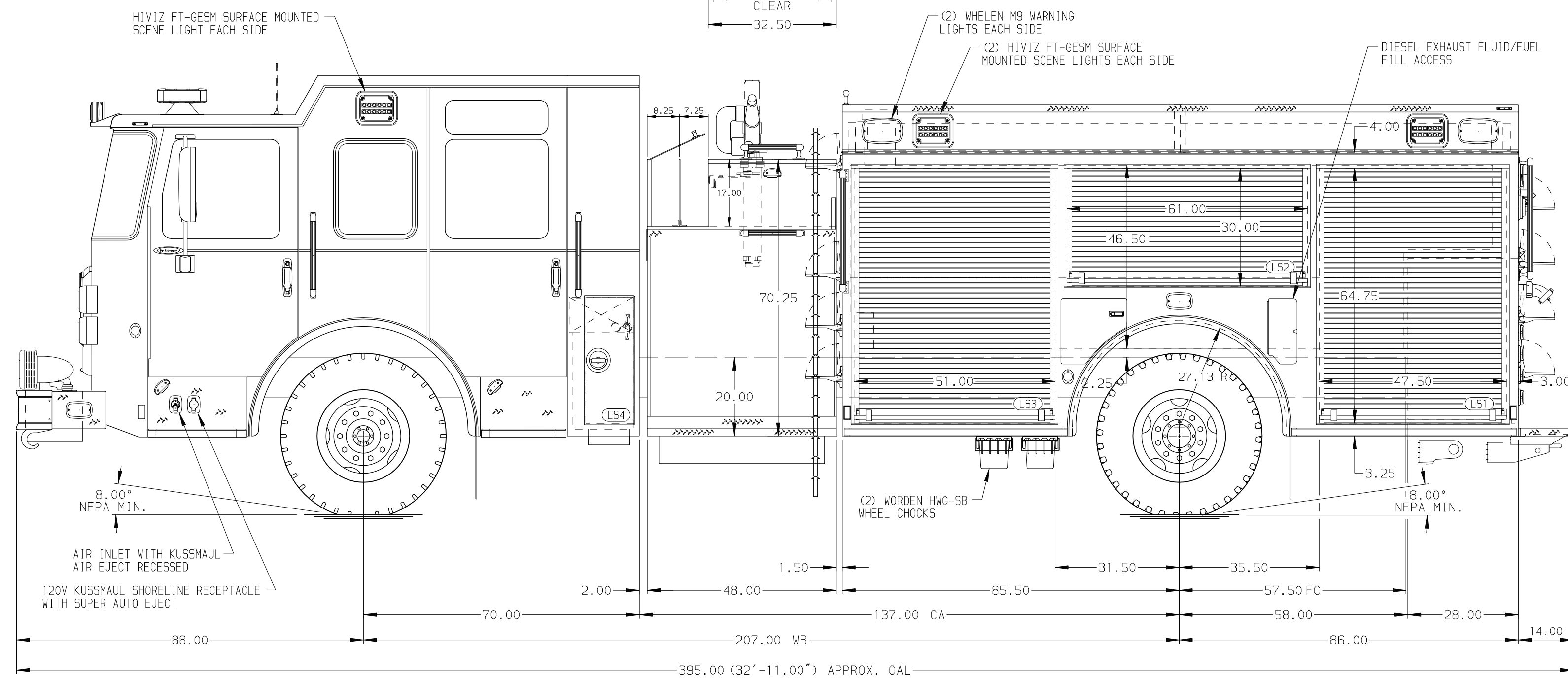


- HOSEBED CAPACITIES
- ① 400' OF 2.50" D.J. POLY HOSE
 - ② 200' OF 1.75" D.J. POLY HOSE
 - ③ 1200' OF 4.00" D.J. POLY HOSE



ALUMINUM BODY MAXIMUM O.A.H. 112.00" MAXIMUM O.A.L. 395.00"

NOTE
DIMENSIONS SHOWN ARE APPROXIMATE AND ARE SUBJECT TO MINOR DEVIATIONS AS MAY OCCUR OR BE NECESSARY IN CONSTRUCTION. MINOR DETAILS NOT SHOWN.

- 1. ROD ROTOGrip TIRE CHAINS TO BE PROVIDED AT REAR
- 2. BATTERY CHARGER LOCATED PER ORDER
- 3. BATTERY CHARGER INDICATOR LOCATED PER ORDER

REV	DATE	BY	CH	ENFORCER
14MAR24	BST	DTJ		

MANUFACTURING INC.	JOB NO.	38900
	SCALE	1:24
TITLE 1500-D-1250P, 171" PUMPER BODY, DELUGE, BOOSTER REEL LADDERS BETWEEN TANK AND BODY, 48" SIDE CONTROL	DRAWN BY	BST
	CHECKED BY	PHA
FOR TOWNSHIP OF VERNON VERNON, NEW JERSEY	SHEET SIZE	D
DWG NO.	38900AD	SHEET NO.
		1 OF 1