

Pumper, PUC

BODY

Pumper, PUC, Aluminum

CHASSIS

Enforcer Chassis, PUC

CHASSIS

AXLE, FRONT, CUSTOM

22,800 Lb TAK-4 Axle

AXLE, REAR

31,000 Lb Dana Axle

ENGINE

450 HP Cummins L9 Engine

TRANSMISSION

Allison 6th Gen, 3000 EVS P

BUMPER

19" Extended Painted Steel

CAB

7010 Enforcer, PUC

BODY

TOTAL TANK CAPACITY

1020 Gallon Poly Tank

WATER CAPACITY

1000 Gallons of Water

FOAM CELL CAPACITY

20 Gallon Foam Cell

COMPT, PUMPER, REAR

33.50" FF RollUp Rear Compt w/Tailboard, PUC

COMPT, PUMPER, LEFT SIDE

189" RollUp Full Height & Depth Front & Rear, PUC

COMPT, PUMPER, RIGHT SIDE

189" RollUp Full Height & Depth Front & Rear, PUC

FIRE SUPPRESSION

PUMPHOUSE

Control Zone, PUC

PUMP

1500 GPM Pierce PUC

CROSSLAYS, 1.50"

(2) 1.50", Poly Trays, 200'

DEADLAYS, 2.50"

(1) 2.50", Poly Tray, 200'

SPEEDLAYS

GENERATOR

Generator Not Required

FOAM SYSTEM

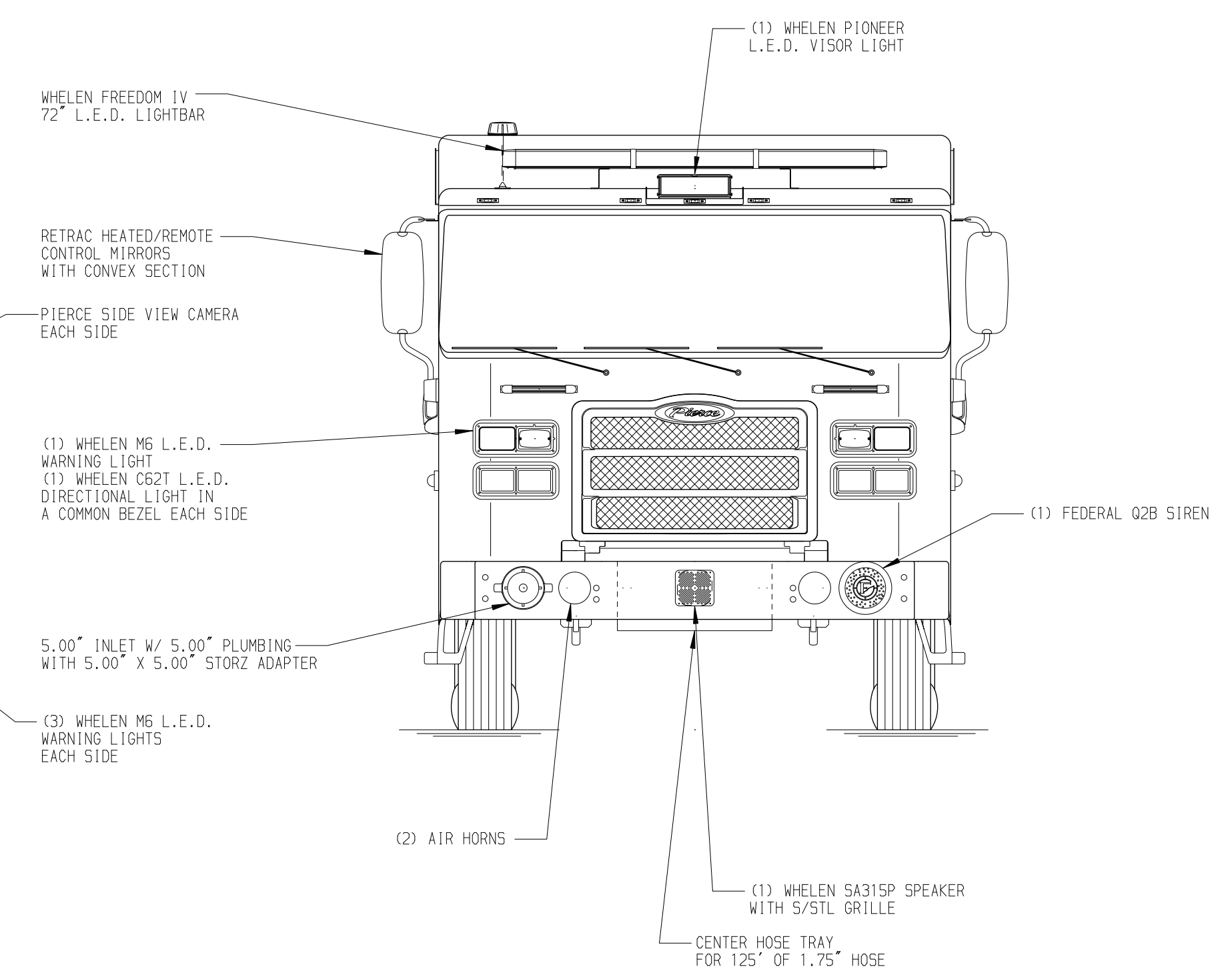
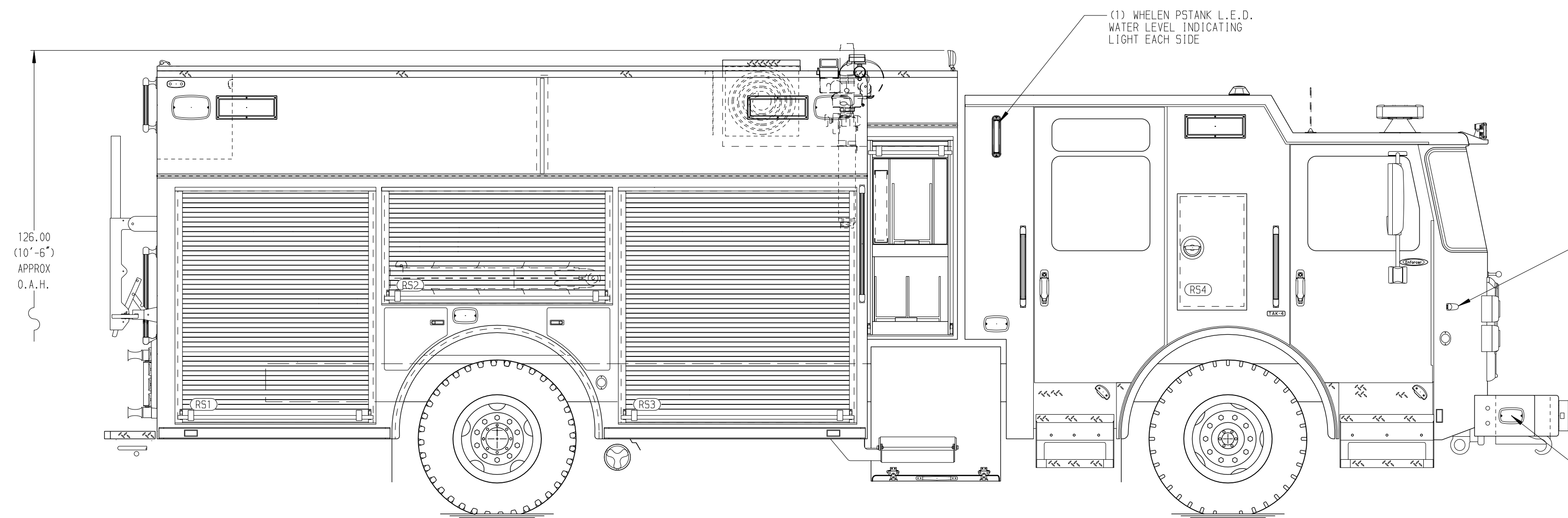
Husky 3 Single Agent Foam System

SAFETY

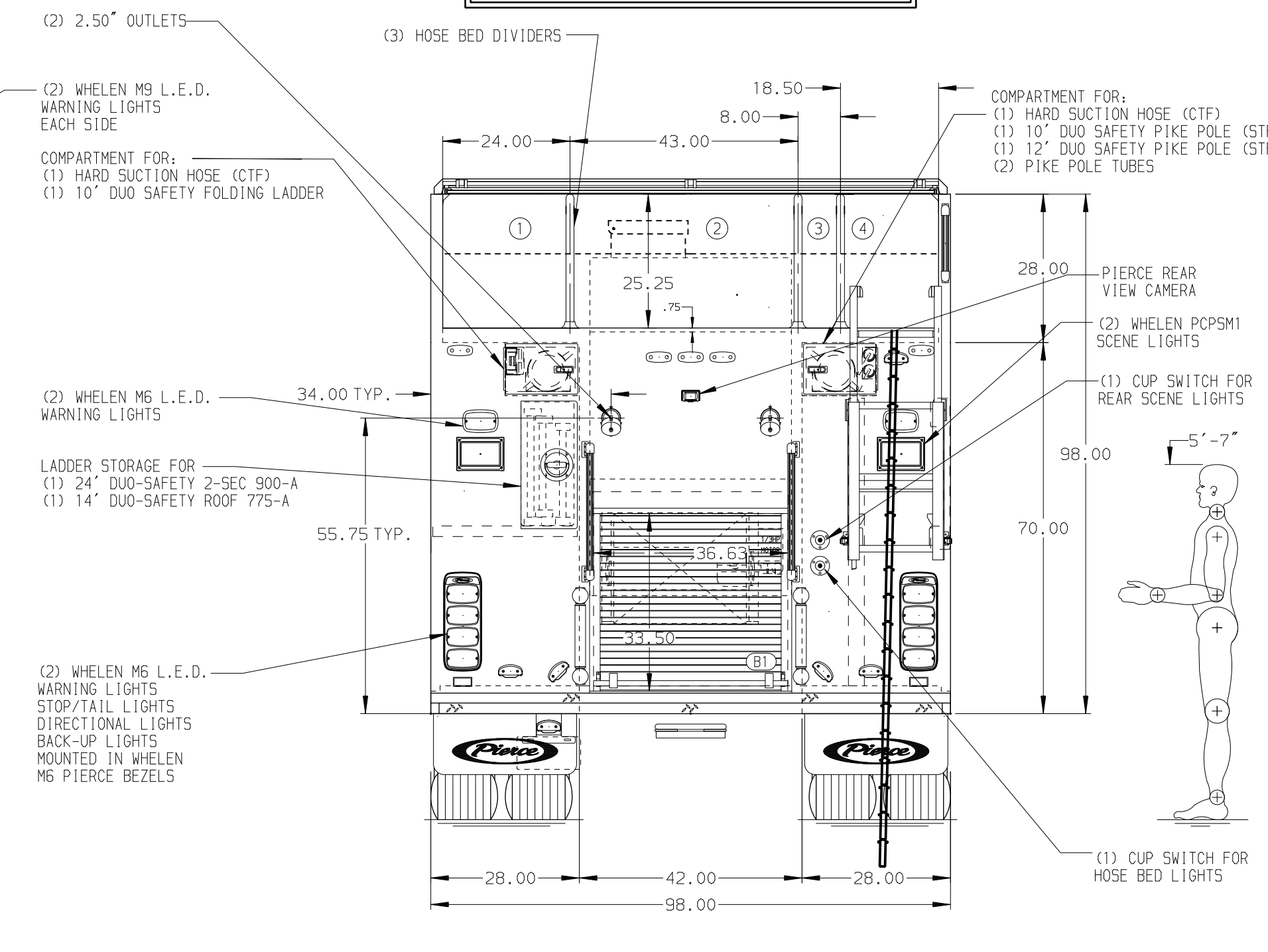
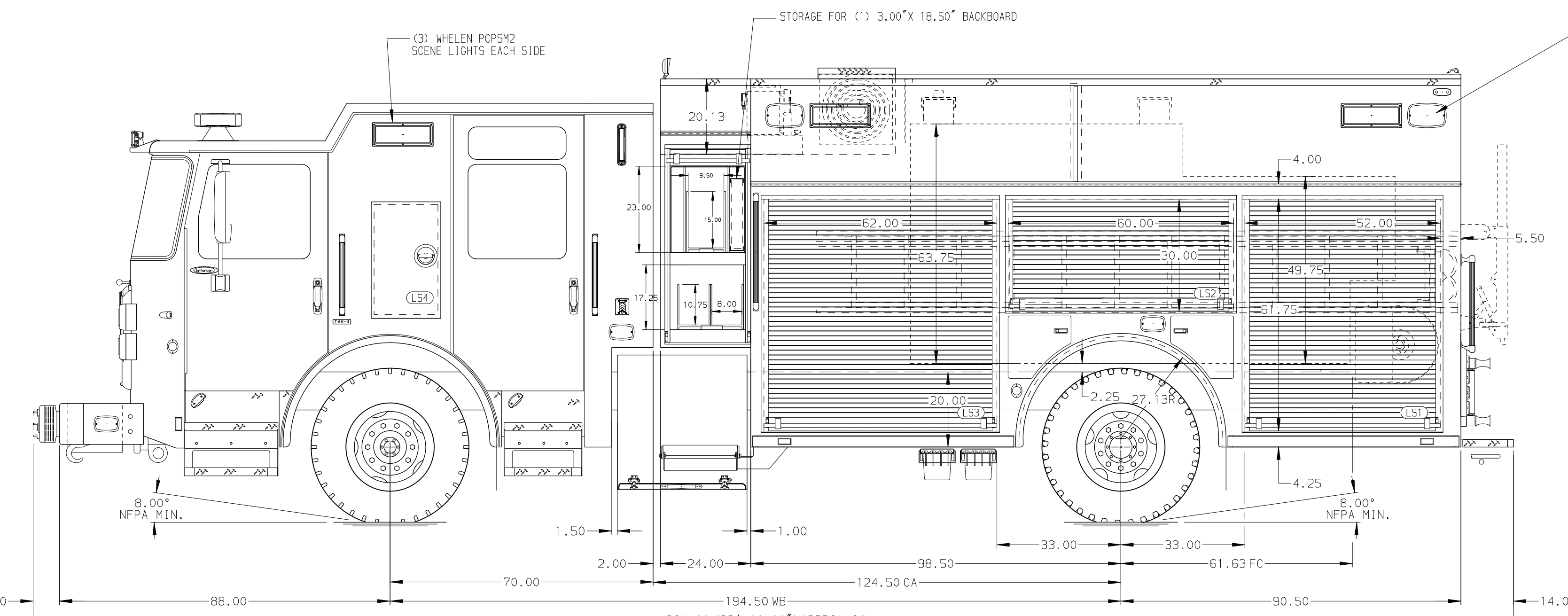
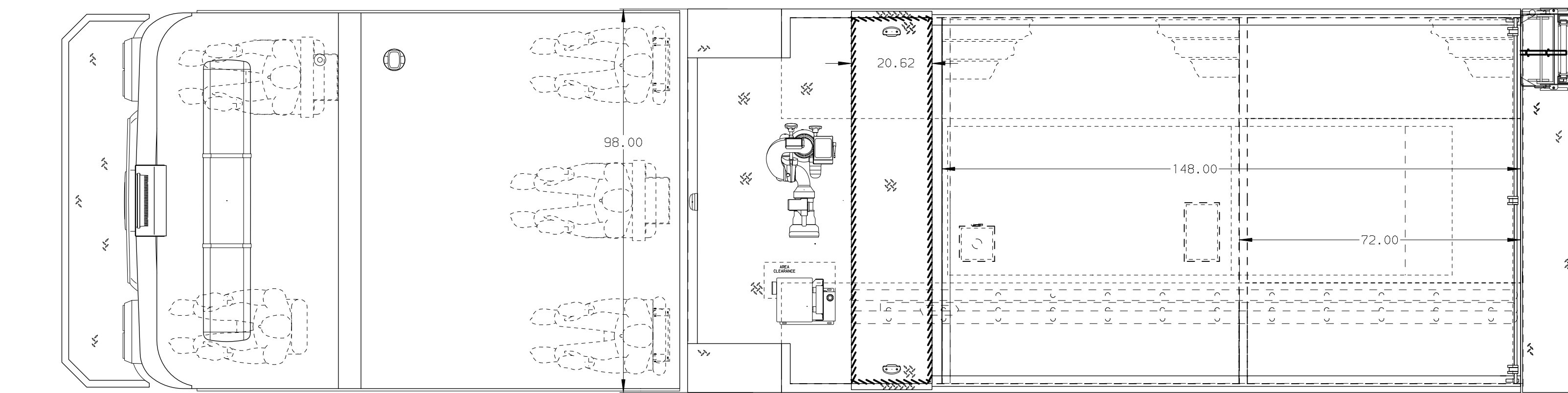
NOTE

DIMENSIONS SHOWN ARE APPROXIMATE AND ARE SUBJECT TO MINOR DEVIATIONS AS MAY OCCUR OR BE NECESSARY IN CONSTRUCTION. MINOR DETAILS NOT SHOWN.

- ONE 1.50 OUTLET WITH 2.00 PIPING AND SWIVEL LOCATED INSIDE THE CENTER BUMPER HOSE TRAY
- SHORELINE RECEPTACLE WITH BLUE SEA SURE EJECT REAR OF THE CREW CAB DOOR
- BATTERY CHARGER INDICATOR LOCATED PER ORDER
- BATTERY CHARGER LOCATED PER ORDER
- FIVE ADJUSTABLE SHELVES LOCATED PER ORDER
- THREE ADJUSTABLE TILT/SLIDE-OUT TRAYS LOCATED PER ORDER
- THREE FLOOR MOUNTED SLIDE-OUT TRAYS LOCATED PER ORDER
- ONE THREE DRAWER CTECH CABINET ASSEMBLY LOCATED PER ORDER
- ONE SWING-OUT ALUMINUM TOOLBOARD LOCATED PER ORDER
- ONE ALUMINUM SLIDE-OUT TOOLBOARD LOCATED PER ORDER
- ONE VERTICAL PARTITION LOCATED PER ORDER
- TWO ALUMINUM PEGBOARDS LOCATED ON THE BACKWALL PER ORDER
- FOUR 120V DUPLEX RECEPTACLES LOCATED PER ORDER
- STORAGE FOR LITTLE GIANT MODEL 17 DEFENDER IN RS2
- HANNAY BOOSTER REEL MODEL SBEF32-21-22-8 LOCATED IN B1 W/ 150' OF 1.00" BOOSTER HOSE



HOSEBED CAPACITY	
BED 1	600' OF 2.50" D.J. POLY HOSE
BED 2	750' OF 5.00" D.J. POLY HOSE
BED 3	200' OF 1.75" D.J. POLY HOSE
BED 4	200' OF 5.00" D.J. POLY HOSE



		Pierce MANUFACTURING INC.		JOB NO.	38911
				SCALE	DATE
				1:24	
				DRAWN BY	01NOV23
				LST	
				CHECKED BY	03NOV23
				AMI	
				SHEET SIZE	SHEET NO.
				D	1 OF 1

CHASSIS DATA	TITLE	Pierce Pumper Approval Drawing
MAKE	FOR	City of St Bonifacius Fire Department
PIERCE	DWG NO.	38911AD
MODEL		
ENFORCER		

REV	DATE	BY	CH
29FEB24	LST	CLM	
17JAN24	LST	CLM	