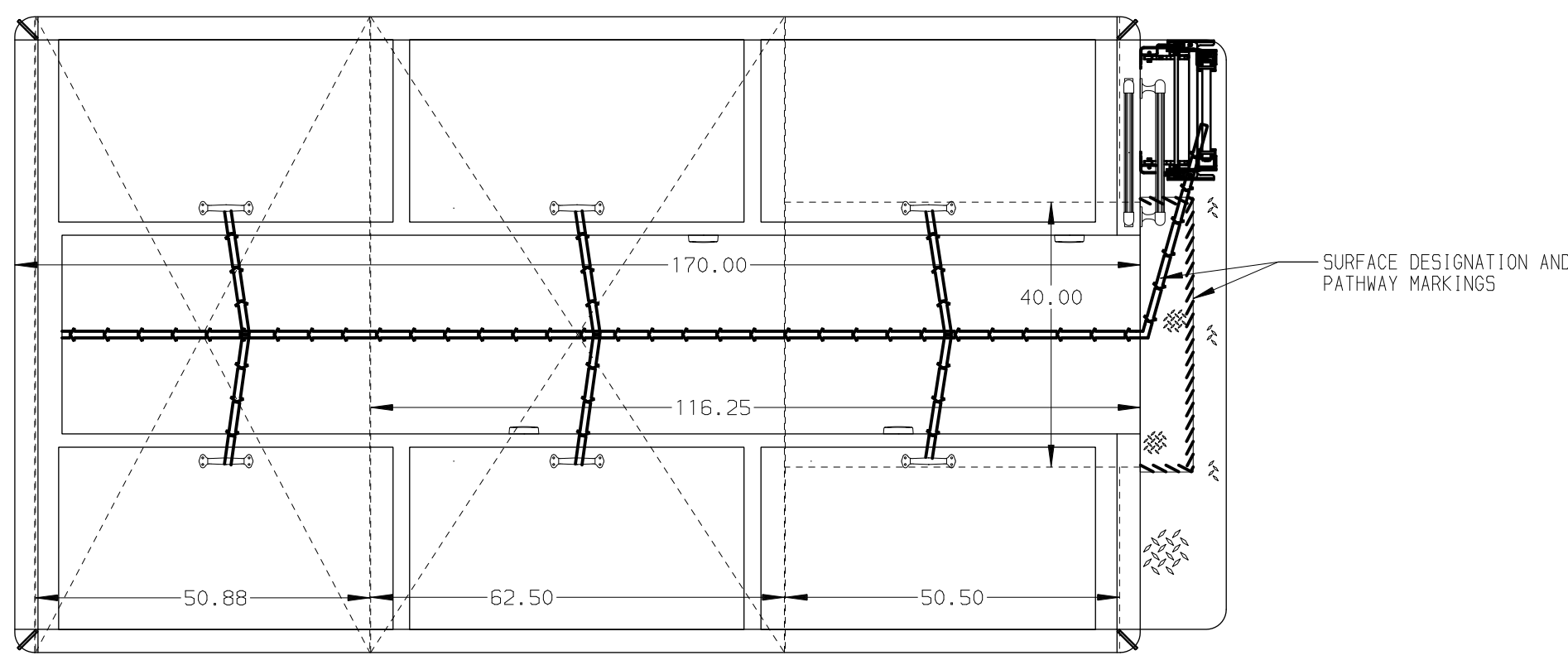
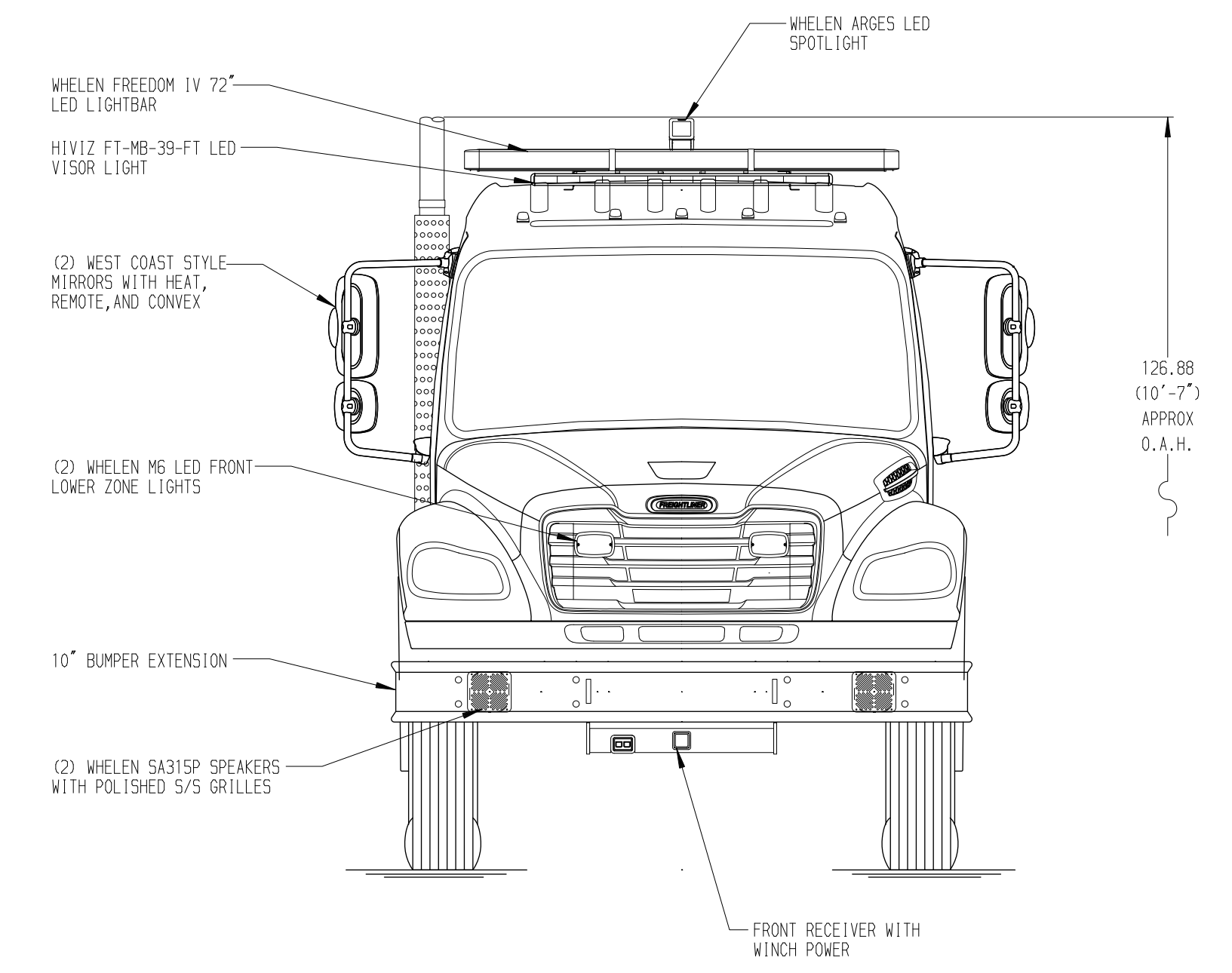
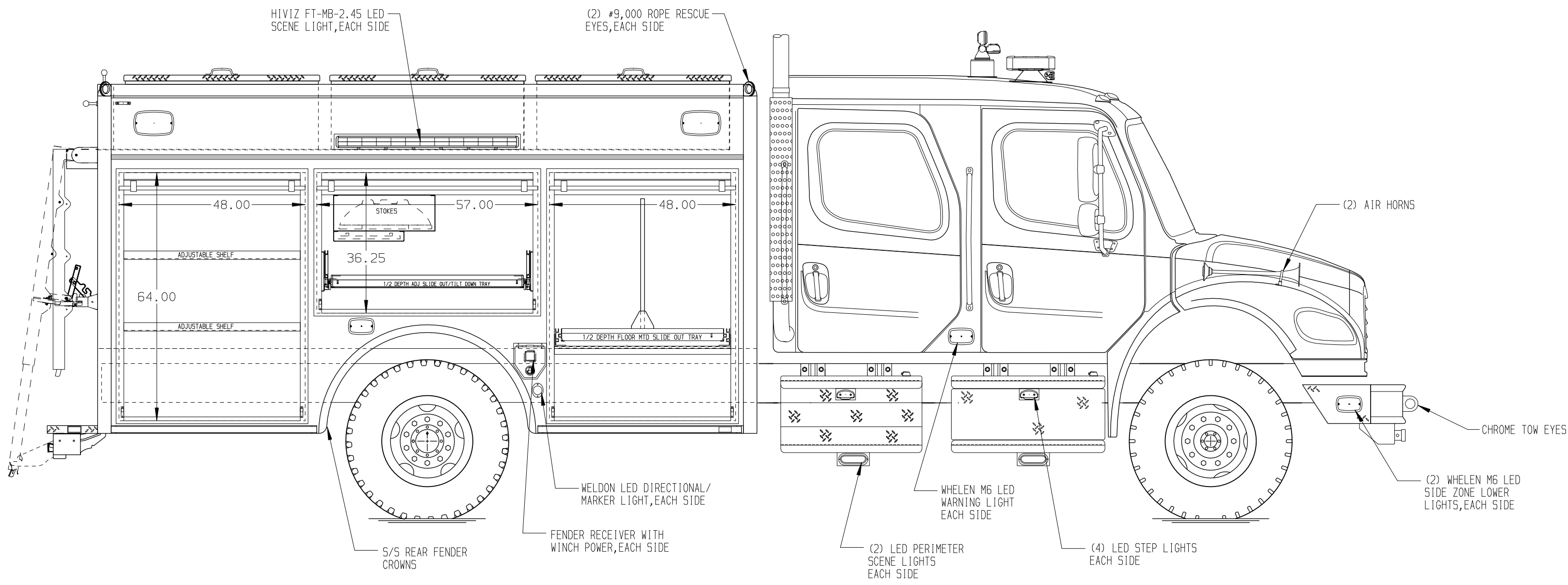


**RIGHT SIDE COMPARTMENTS CONTAIN THE FOLLOWING:**

COMPARTMENT RS1 CONTAINS:  
 - (2) STD DEPTH ADJ SHELVES  
 -  
 -

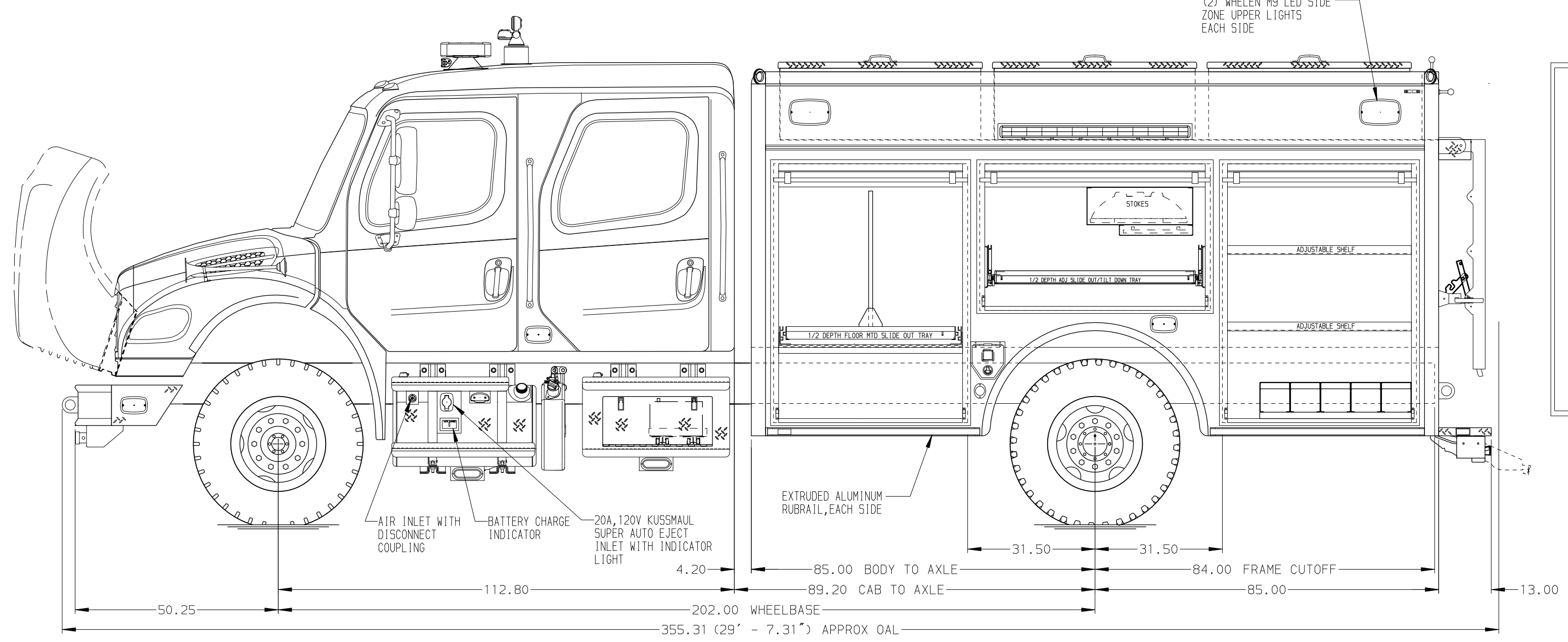
COMPARTMENT RS2 CONTAINS:  
 - (1) STOKES BASKET RACK  
 - (1) BACKBOARD RACK  
 - (1) 1/2 DEPTH ADJ SLIDE OUT/TILT TRAY  
 -

COMPARTMENT RS3 CONTAINS:  
 - (1) HORIZONTAL FLOOR EXTENSION  
 - (1) 1/2 DEPTH FLOOR MOUNTED SLIDE OUT TRAY WITH TOOLBOARD  
 -  
 -  
 -



**REAR COMPARTMENT CONTAINS THE FOLLOWING:**

COMPARTMENT B1 CONTAINS:  
 - (1) 48" DP FLOOR MTD SLIDE OUT TRAY  
 - (1) 48" DP ADJ SLIDE OUT TRAY  
 -  
 -

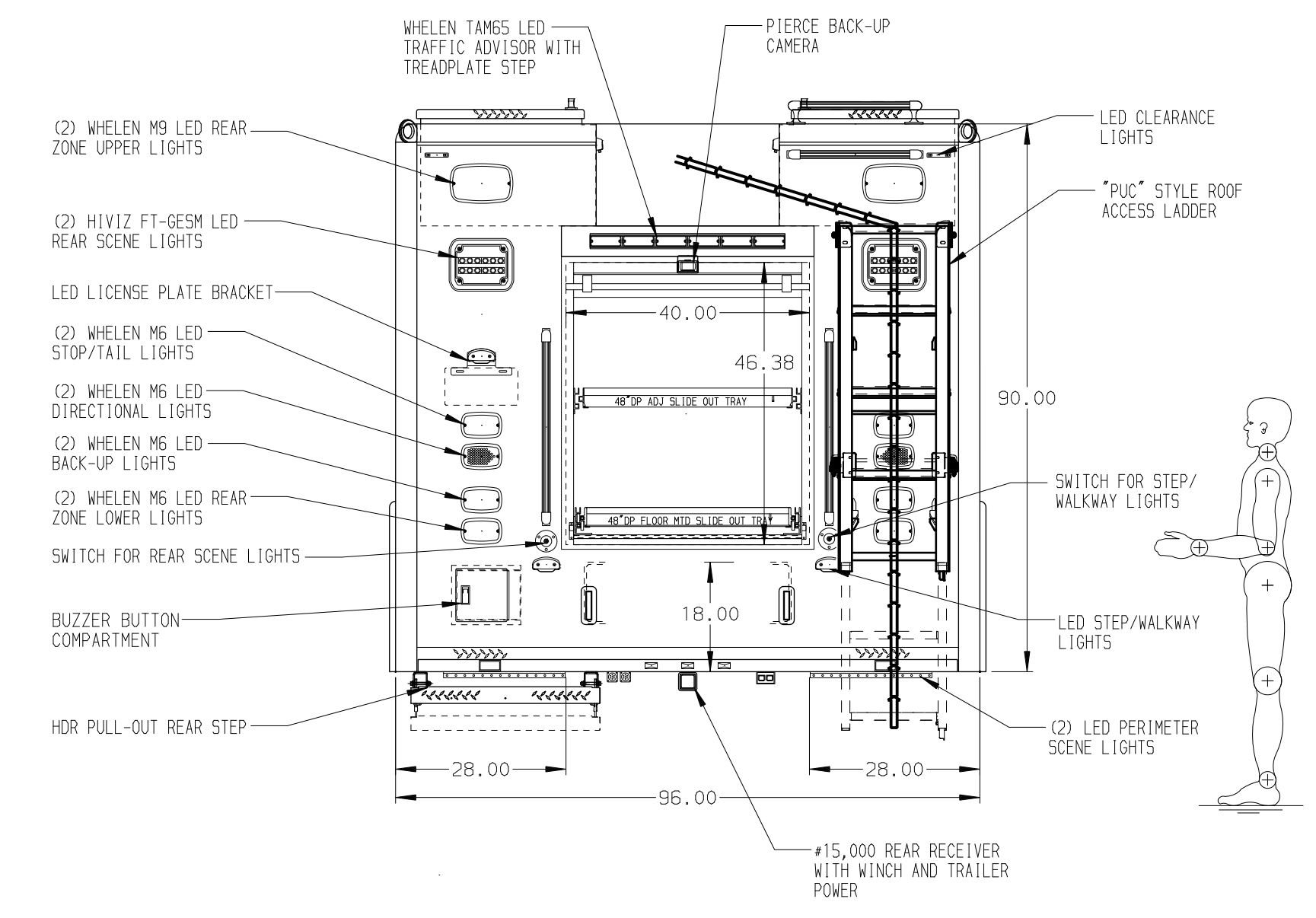


**LEFT SIDE COMPARTMENTS CONTAIN THE FOLLOWING:**

COMPARTMENT LS1 CONTAINS:  
 - (2) STD DEPTH ADJ SHELVES  
 - (1) RACK FOR 5 SCBA BOTTLES (7.25"X50")  
 -

COMPARTMENT LS2 CONTAINS:  
 - (1) STOKES BASKET RACK  
 - (1) BACKBOARD RACK  
 - (1) 1/2 DEPTH ADJ SLIDE OUT/TILT TRAY  
 -

COMPARTMENT LS3 CONTAINS:  
 - (1) HORIZONTAL FLOOR EXTENSION  
 - (1) 1/2 DEPTH FLOOR MOUNTED SLIDE OUT TRAY WITH TOOLBOARD  
 -  
 -  
 -



**NOTE**  
 DIMENSIONS SHOWN ARE APPROXIMATE AND ARE SUBJECT TO MINOR DEVIATIONS AS MAY OCCUR OR BE NECESSARY IN CONSTRUCTION. MINOR DETAILS NOT SHOWN.

- NOTES:**
1. WHEEL CHOCKS SHIPPED LOOSE AND MOUNTED BY THE FIRE DEPARTMENT
  2. WARN #10,000 PORTABLE RECEIVER STYLE WINCH
  3. FIRECOM 51000 INTERCOM SYSTEM
  4. RECEIVER STYLE PINTLE HOOK AND BALL
  5. #9,000 RECEIVER STYLE ROPE ANCHOR
  6. PIERCE LED LIGHTS IN ALL BODY AND HATCH COMPARTMENTS

CLEAR DOOR WIDTH KEY		CHASSIS DATA	TITLE
AMOR ROLL UP DOORS:	-2 1/4"	28FEB24	DHE CDK
CORTITE ROLL UP DOORS:	-2 1/2"	28NOV23	DHE CDK
PIERCE DOUBLE LAP DOORS:	-4 1/4"	25SEP23	DHE AZU
PIERCE LIFT-UP LAP DOORS:	-1 1/2"		
(EX: 60" F-F - 2 1/4" = 57 3/4" CLEAR)			
(F-F) = FRAME TO FRAME			

		JOB NO.	38916
		SCALE	DATE
<b>MANUFACTURING INC.</b>		DRAWN BY	DHE 04AUG23
<b>HEAVY DUTY RESCUE NON-WALKIN</b>		CHECKED BY	AZU 08AUG23
<b>TUCSON FIRE DEPARTMENT</b>		SHEET SIZE	SHEET NO.
<b>BID #749</b>		DWG NO.	1 OF 1
<b>CHRIS CALLIES</b>		<b>38916AD</b>	