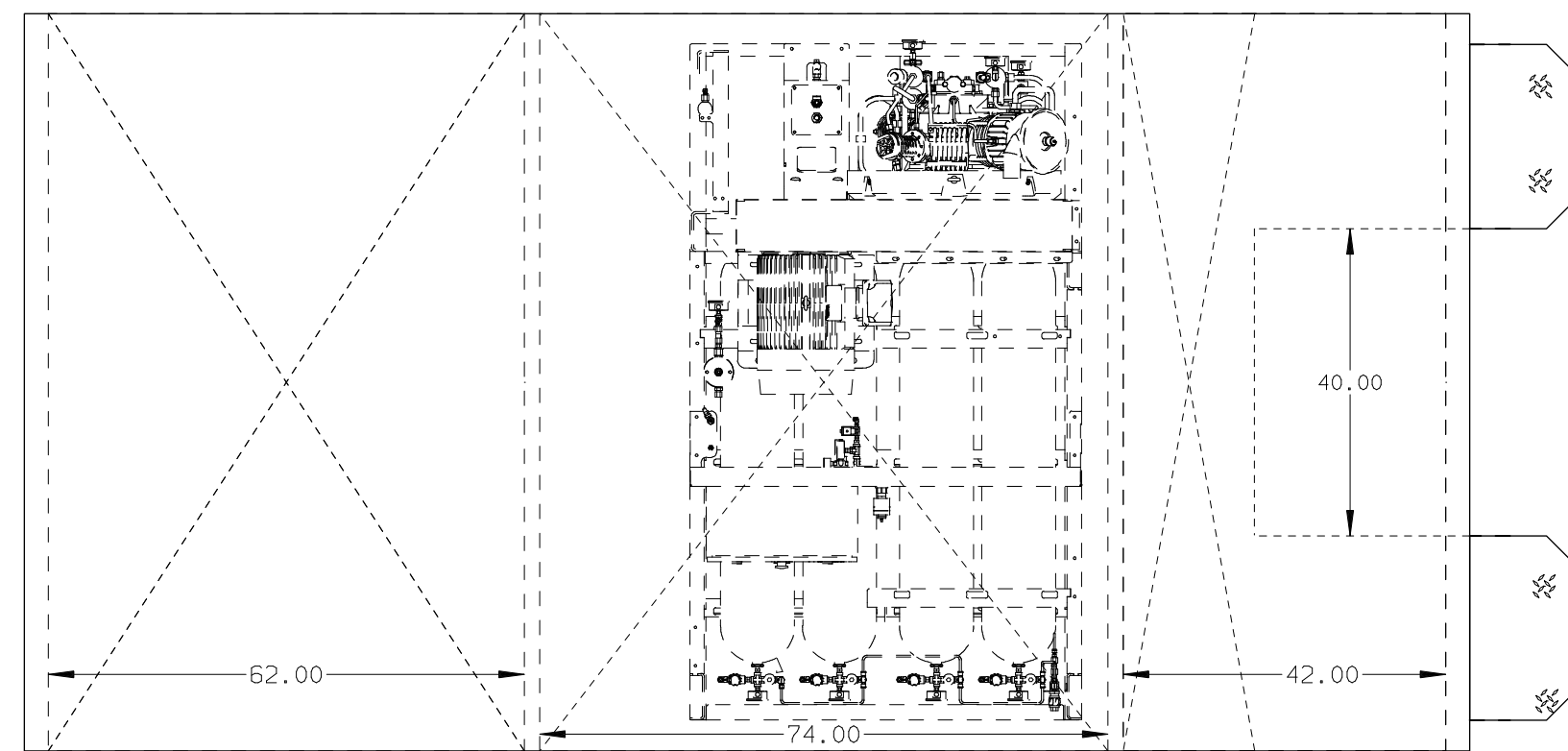
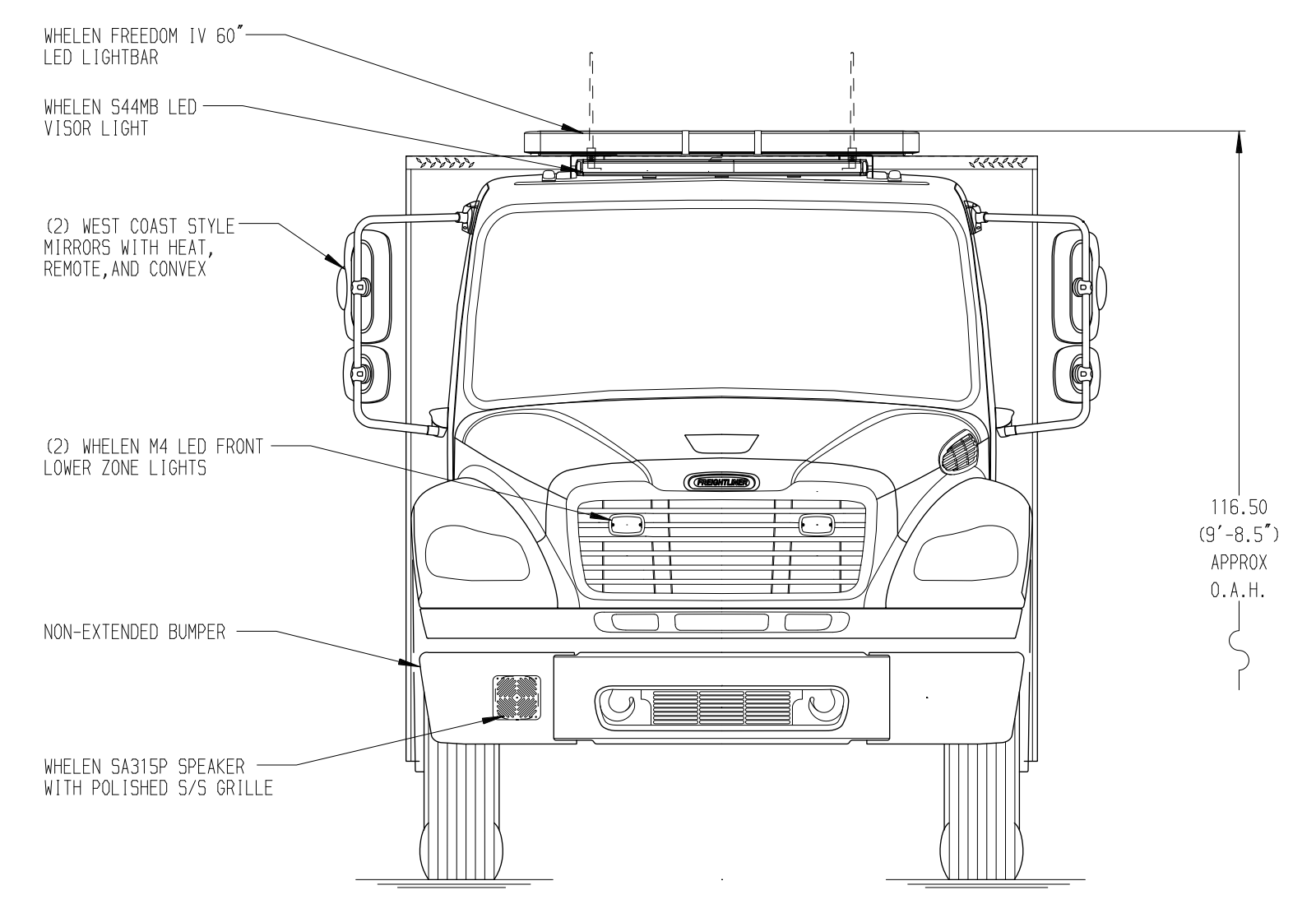
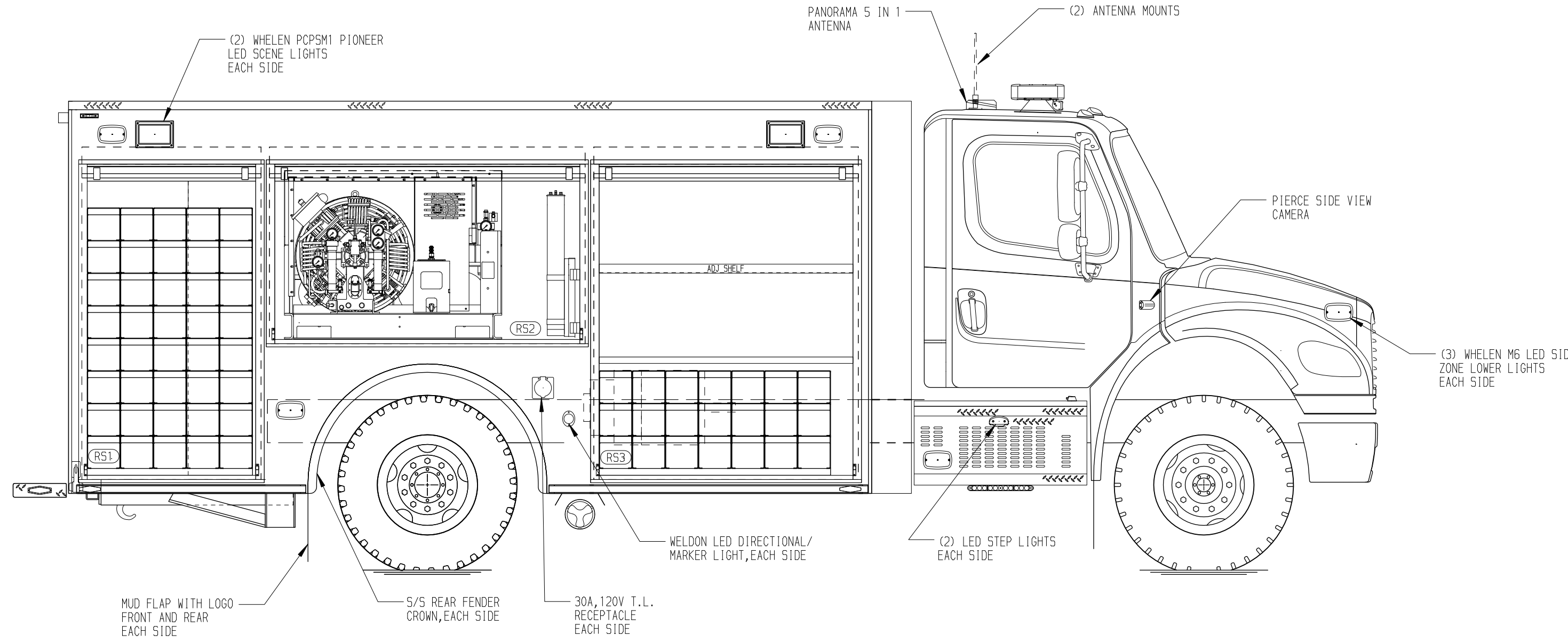


RIGHT SIDE COMPARTMENTS CONTAIN THE FOLLOWING:

COMPARTMENT R51 CONTAINS:
 - (1) RACK FOR 40 SCBA BOTTLES
 -
 -

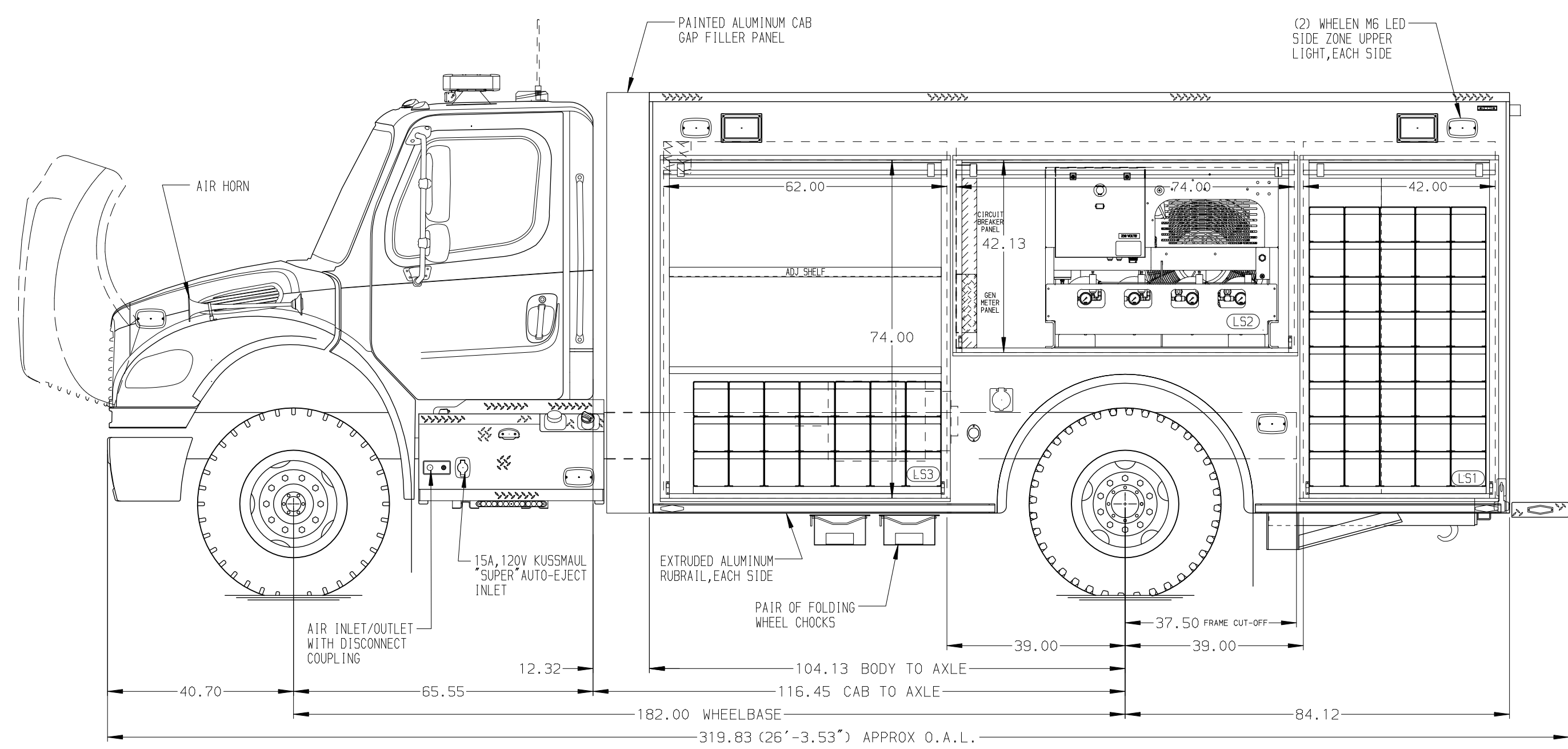
COMPARTMENT R52 CONTAINS:
 - (1) BAUER K18, 1-20-E3 BREATHING AIR COMPRESSOR WITH 4 ASME BOTTLES
 -
 -

COMPARTMENT R53 CONTAINS:
 - (1) HORIZONTAL FLOOR EXTENSION
 - (1) RACK FOR 21 SCBA BOTTLES
 - (1) 42" DP ADJ SHELF
 -
 -



REAR COMPARTMENT CONTAINS THE FOLLOWING:

COMPARTMENT B1 CONTAINS:
 - (1) SPECIAL DEPTH ADJ SHELF
 - (1) COMPRESSOR CONTROL PANEL
 - (1) CASCADE SYSTEM CONTROL PANEL
 - (2) "SPACE SAVER" 2-BOTTLE FILL ENCLOSURES
 - (1) HIGH PRESSURE BREATHING AIR REEL WITH 250' OF HOSE
 - (1) ELECTRIC CORD REEL WITH 100' OF 10/3 YELLOW CORD
 -

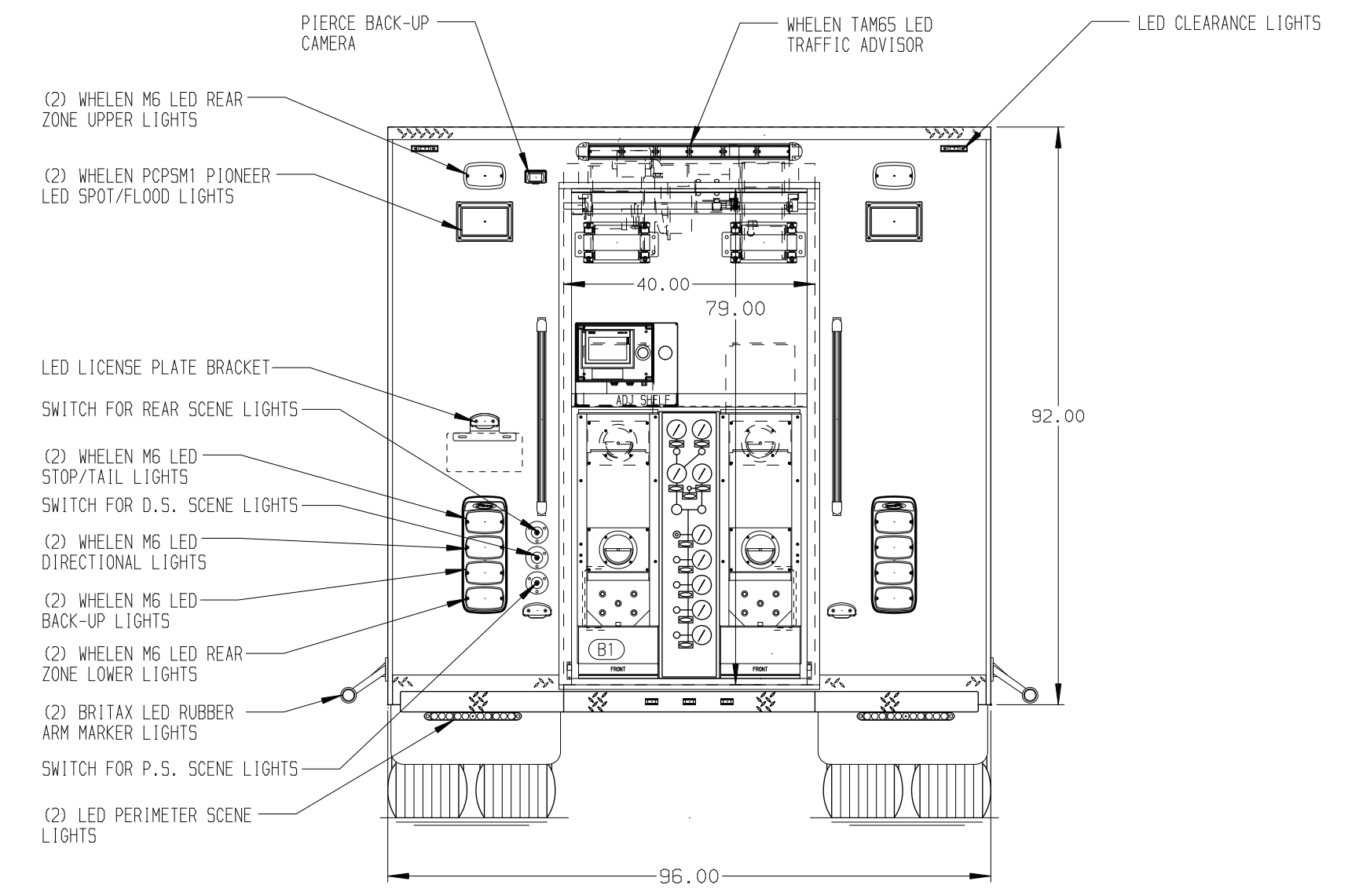


LEFT SIDE COMPARTMENTS CONTAIN THE FOLLOWING:

COMPARTMENT L51 CONTAINS:
 - (1) RACK FOR 40 SCBA BOTTLES
 -
 -

COMPARTMENT L52 CONTAINS:
 - (1) CIRCUIT BREAKER PANEL
 - (1) GENERATOR METER PANEL
 - (1) BAUER K18, 1-20-E3 BREATHING AIR COMPRESSOR WITH 4 ASME BOTTLES
 -

COMPARTMENT L53 CONTAINS:
 - (1) BLUE SEA BATTERY CHARGER
 - (1) HORIZONTAL FLOOR EXTENSION
 - (1) RACK FOR 21 SCBA BOTTLES
 - (1) 42" DP ADJ SHELF
 -
 -



NOTE
 DIMENSIONS SHOWN ARE APPROXIMATE AND ARE SUBJECT TO MINOR DEVIATIONS AS MAY OCCUR OR BE NECESSARY IN CONSTRUCTION. MINOR DETAILS NOT SHOWN.

NOTES:
 1. MAGNAPLUS 80KW THREE PHASE PTO DRIVEN GENERATOR LOCATED BETWEEN THE FRAME RAILS
 2. AMOR LED STRIP LIGHTS IN ALL BODY COMPARTMENTS
 3. 5/5 GUARDS ON ALL BODY ROLL-UP DOORS
 4. DAVID CLARK 2-POSITION INTERCOM SYSTEM

CLEAR DOOR WIDTH KEY	
AMOR ROLL UP DOORS:	-2 1/4"
CORTITE ROLL UP DOORS:	-2 1/2"
PIERCE DOUBLE LIP DOORS:	-4 1/4"
PIERCE LIFT-UP LAP DOORS:	-1 1/2"
(EX: 60" F-F - 2 1/4" = 57 3/4" CLEAR) (F-F) = FRAME TO FRAME	

REV	DATE	BY	CH	CHASSIS DATA
21SEP23	DHE	CDK	FREIGHTLINER	MAKE
09AUG23	DHE	CDK	MODEL	M2-106

		JOB NO.	38944
		SCALE	1:24
TITLE	ENCORE RESCUE VEHICLE	DRAWN BY	DHE
FOR	SACRAMENTO AIR AND LIGHT	CHECKED BY	CDK
	BID #758	BRAD HANSEN	
DWG NO.	38944AD	SHEET SIZE	D
		SHEET NO.	1 OF 1