

**PUMPER
BODY**

Long Aluminum 2nd Gen Pumper

**CHASSIS
Enforcer Chassis**

**CHASSIS
AXLE, FRONT, CUSTOM**
18,000 Lb Dana Axle

AXLE, REAR
24,000 Lb Dana Axle

ENGINE
450 HP Cummins L9 Engine

TRANSMISSION
Allison 6th Gen, 3000 EVS P

BUMPER
19" Extended Painted Steel

CAB
6010 Enforcer FR Cab

**BODY
WATER TANK**

750 Gallon New York Style Water Tank
COMPT, PUMPER, REAR
30.75" FF RoLLup Rear Compt

COMPT, PUMPER, LEFT SIDE
161" RoLLup Full Height & Depth Front & Rear

COMPT, PUMPER, RIGHT SIDE
161" RoLLup Full Height Front & Rear FDLER

**FIRE SUPPRESSION
PUMPHOUSE**

52" Control Zone Top Mount

PUMP

1250 GPM Waterous CS

CROSSLAYS, 1.50"

(2) 1.50" Standard Capacity

CROSSLAYS, 2.50"

(1) 2.50" Standard Capacity

SPEEDLAYS

Speedlays Not Required

GENERATOR

Generator Not Required

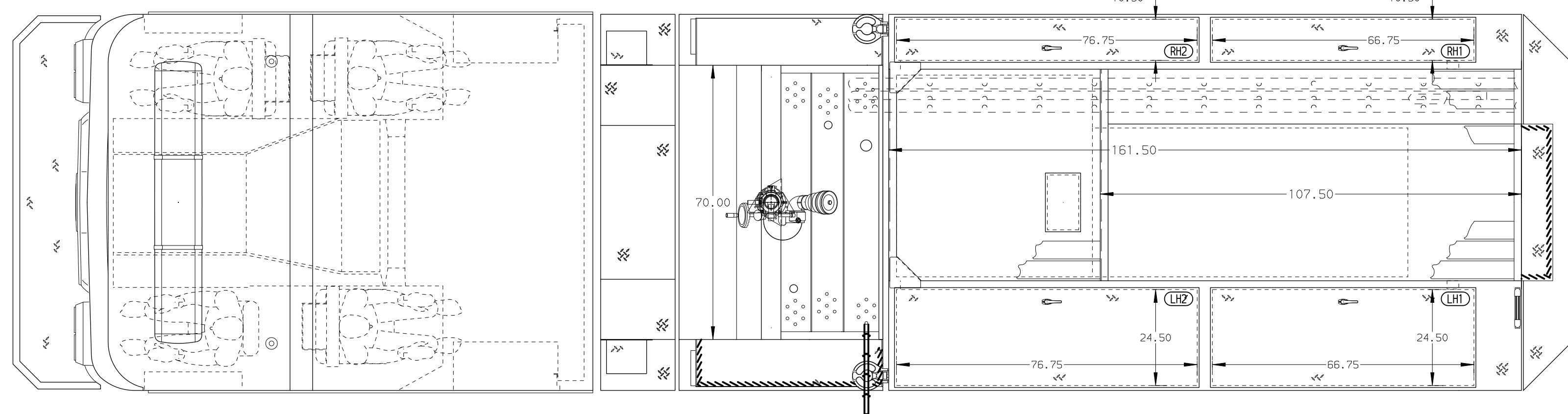
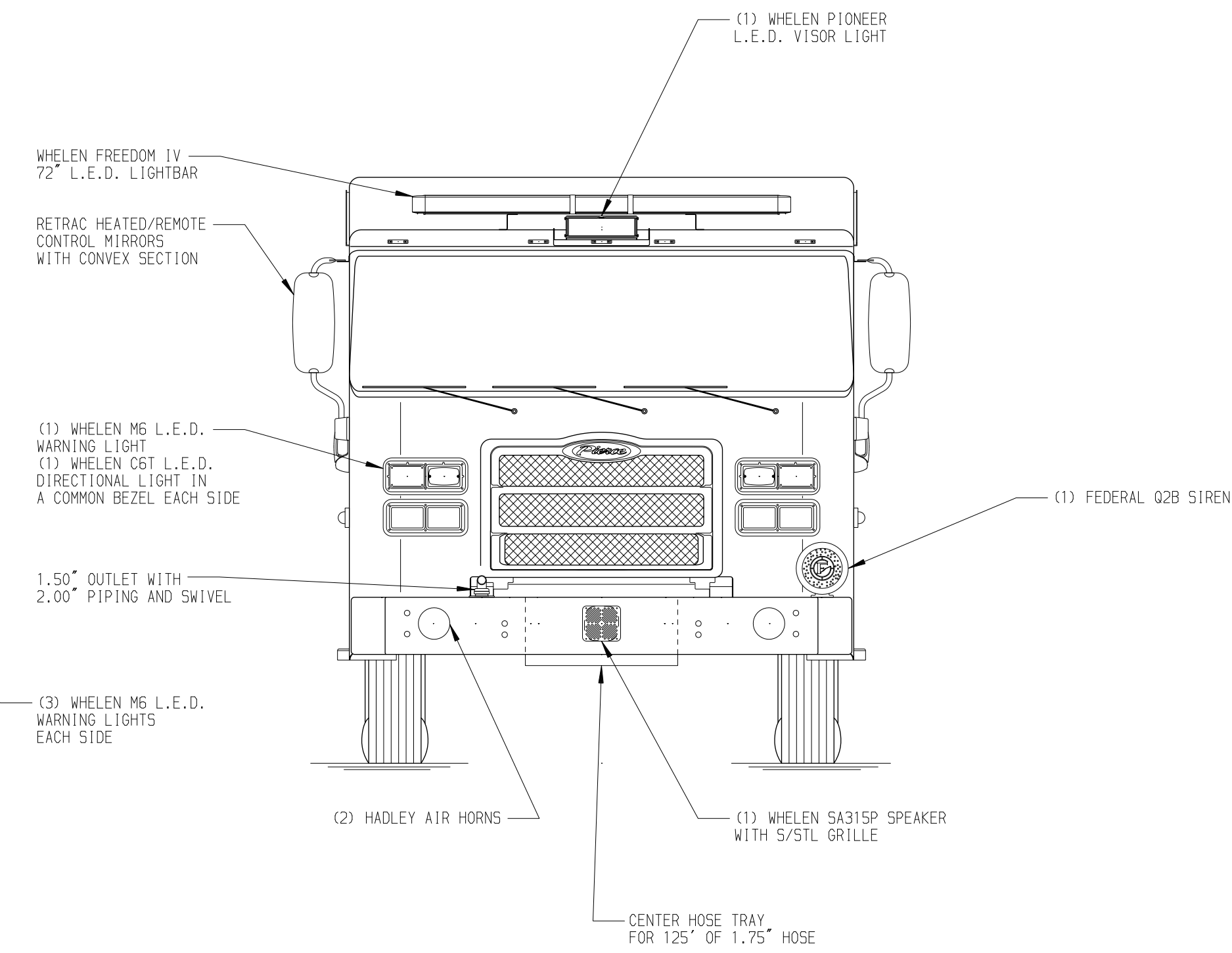
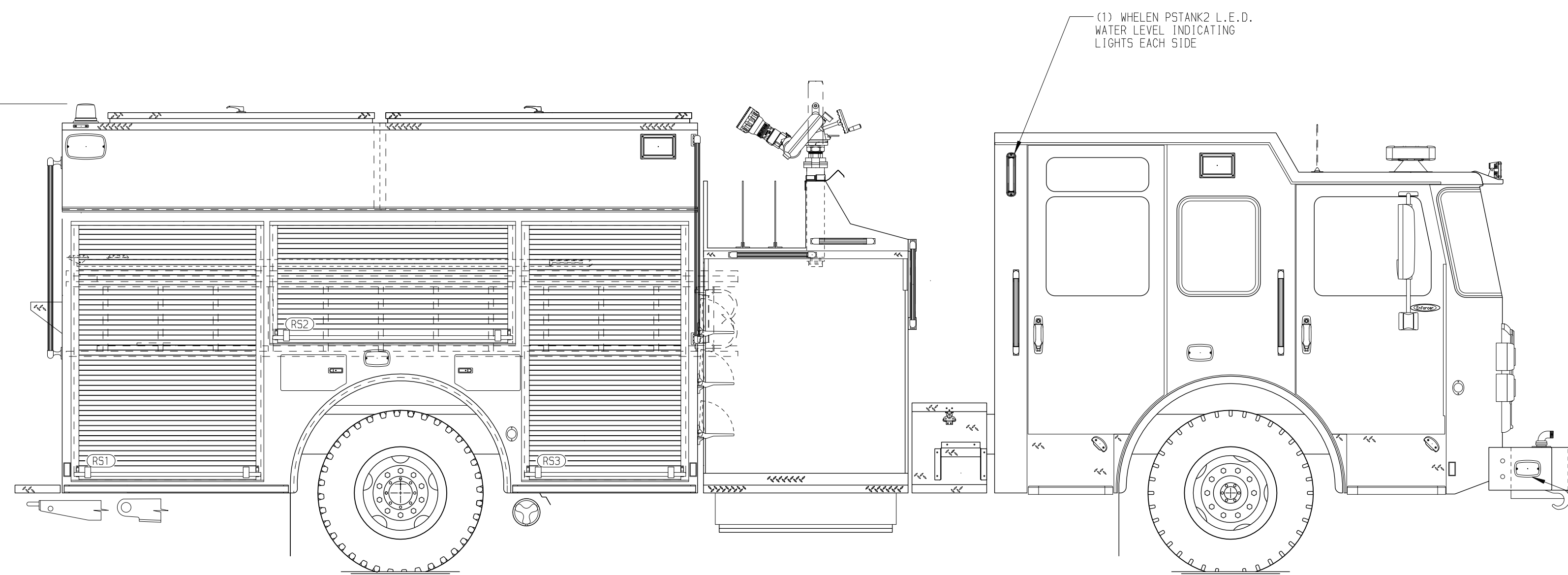
Foam System

Foam System Not Required

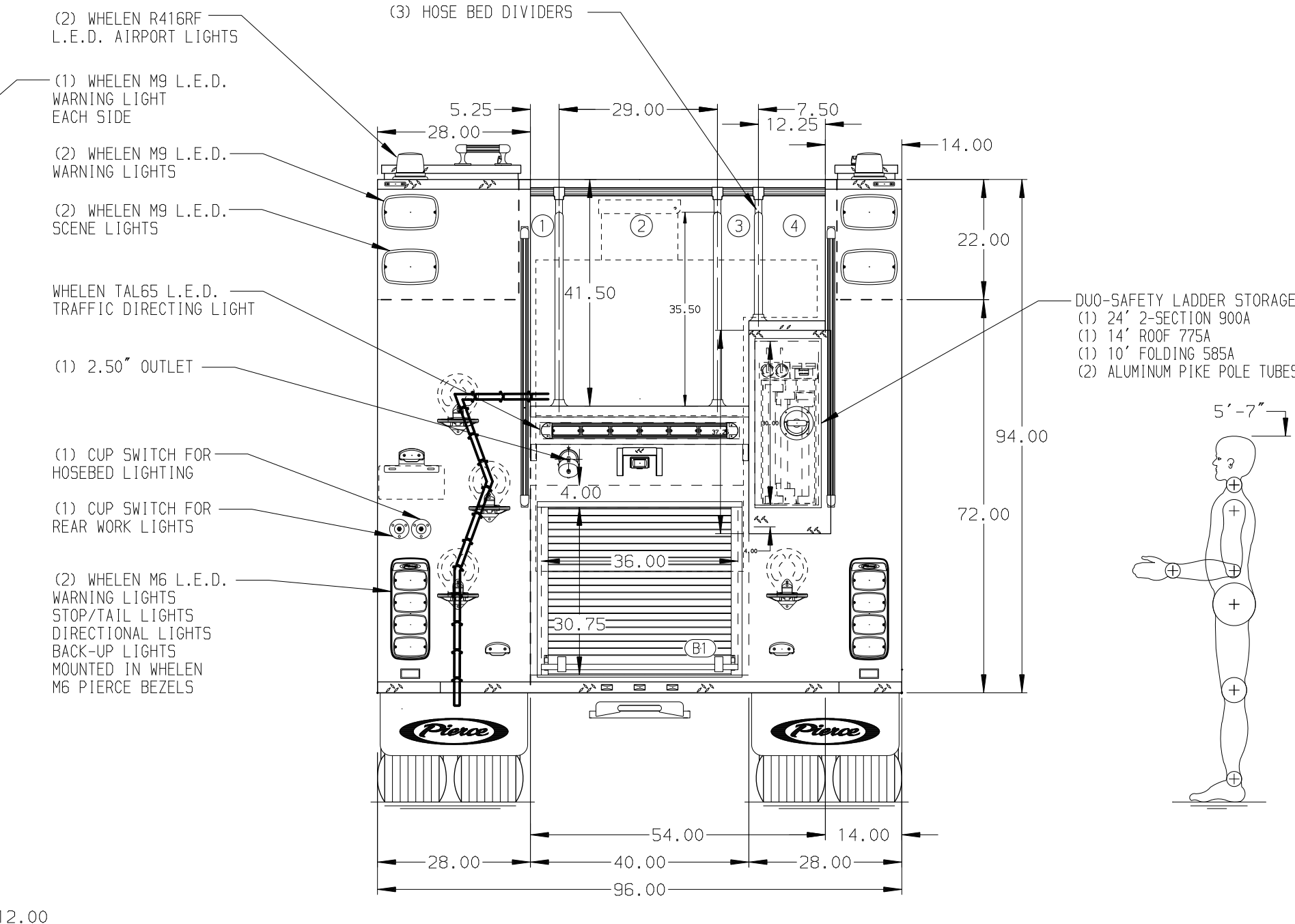
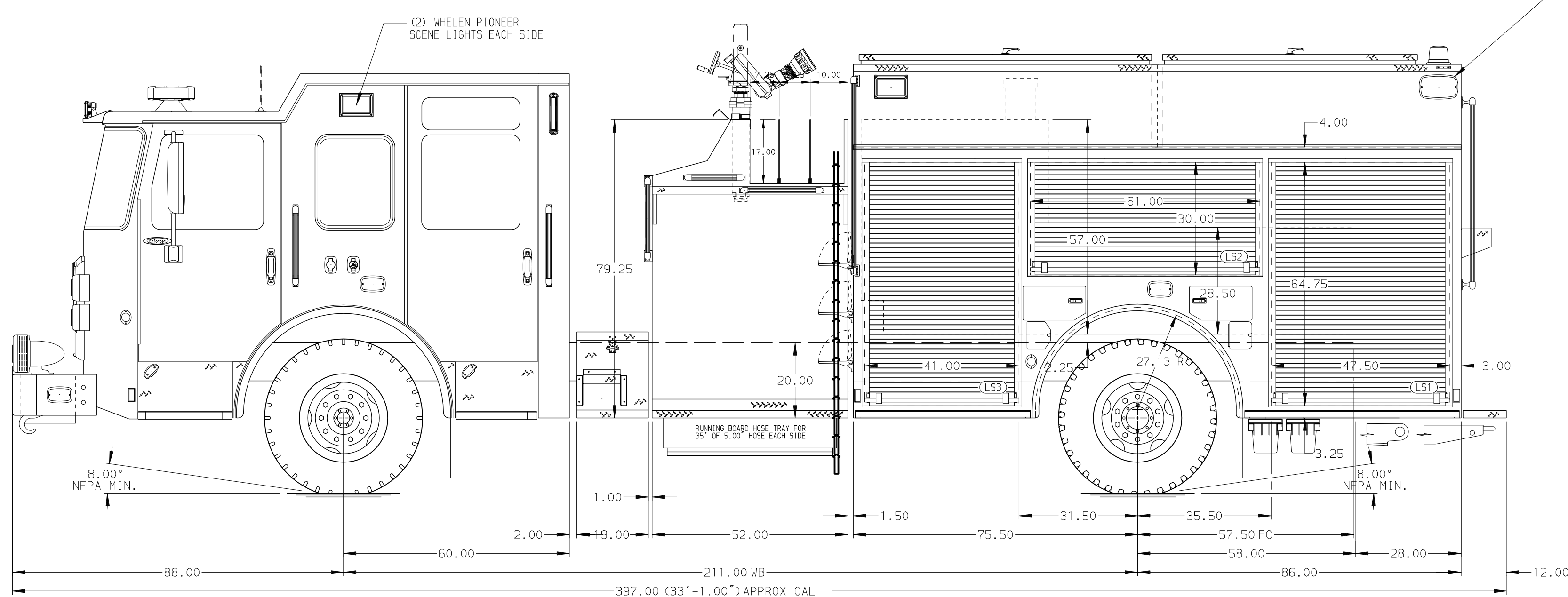
Foam Cell

Foam Cell Not Required

124.00
(10'-4")
APPROX
O.A.H.



HOSEBED CAPACITY	
BED 1	200' OF 1.75" D.J. POLY HOSE
BED 2	1000' OF 5.00" D.J. POLY HOSE
BED 3	200' OF 2.50" D.J. POLY HOSE



NOTE
DIMENSIONS SHOWN ARE APPROXIMATE AND ARE SUBJECT TO MINOR DEVIATIONS AS MAY OCCUR OR BE NECESSARY IN CONSTRUCTION. MINOR DETAILS NOT SHOWN.

- ONE 1.50" OUTLET WITH 2.00" PIPING AND SWIVEL LOCATED TOP OF BUMPER
- SHORELINE RECEPTACLE WITH KUSSMAUL SUPER AUTO-EJECT LOCATED ON DRIVER SIDE OF THE CAB
- AIR INLET W/ KUSSMAUL AIT EJECT LOCATED ON DRIVER SIDE OF THE CAB
- BATTERY CHARGER LOCATED IN COMPARTMENT BEHIND DRIVER'S SEAT
- BATTERY CHARGE INDICATOR LOCATED ON DRIVER SEAT RISER WITH BRACKET
- EIGHT ADJUSTABLE SHELVES IN COMPARTMENTS PER SHOP ORDER
- THREE FLOOR MOUNTED SLIDE-OUT TRAYS IN COMPARTMENT PER SHOP ORDER
- ONE TILT/SLIDE-OUT TRAY LOCATED PER SHOP ORDER

REV	DATE	BY	CH	ENFORCER
03NOV23	MMF	CW1		
30AUG23	WRE	CLM		

		JOB NO.	38971
TITLE		SCALE	DATE
Pierce Pumper Approval Drawing		1:24	
FOR		DRAWN BY	20JUN23
Indianapolis Airport Authority		CHECKED BY	11JUL23
DWG NO.		SHEET SIZE	SHEET NO.
38971AD		D	1 OF 1