

Pumper, PUC

BODY

Pumper, PUC, Aluminum

CHASSIS

Enforcer Chassis, PUC

CHASSIS

AXLE, FRONT, CUSTOM

21,500 Lb Meritor Axle

AXLE, REAR

27,000 Lb Meritor Axle

ENGINE

500 HP Cummins X12 Engine

TRANSMISSION

Allison 6th Gen, 4000 EVS P

BUMPER

22" Extended Underslung

CAB

7010 Enforcer Cab, PUC

BODY

WATER TANK

500 Gallon Poly Water Tank

COMPT, PUMPER, REAR

33.50" FF RollUp Rear Compt w/Tailboard, PUC

COMPT, PUMPER, LEFT SIDE

189" RollUp Full Height & Depth Front & Rear, PUC

COMPT, PUMPER, RIGHT SIDE

189" RollUp Full Height & Depth Front & Rear, PUC

FIRE SUPPRESSION

PUMPHOUSE

Control Zone, PUC

PUMP

1500 GPM Pierce PUC

CROSSLAYS, 1.50"

(2) 1.50", Poly Trays, 200'

CROSSLAYS, 2.50"

(1) 2.50", Poly Tray, 200'

GENERATOR

Generator Not Required

Foam System

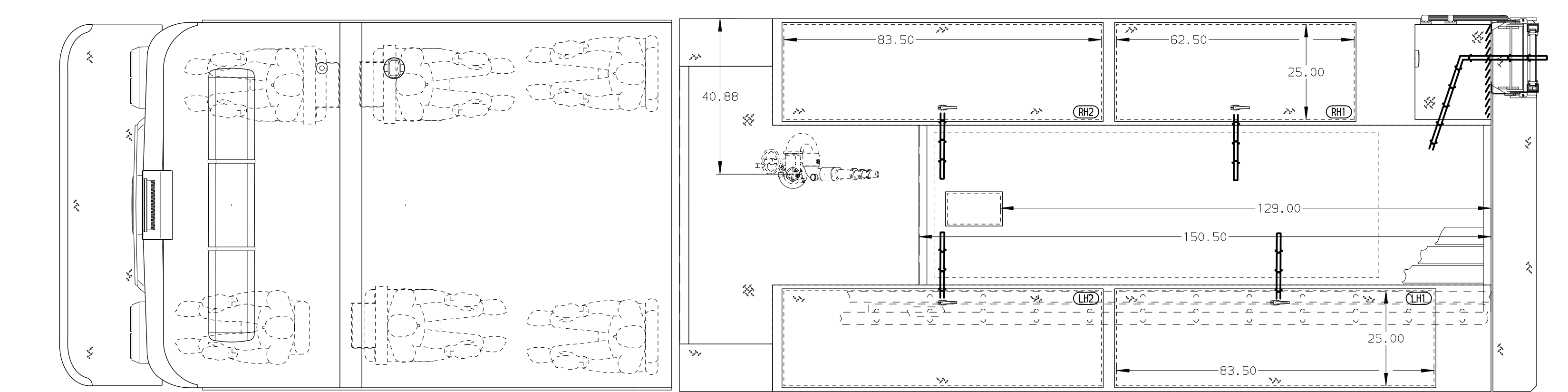
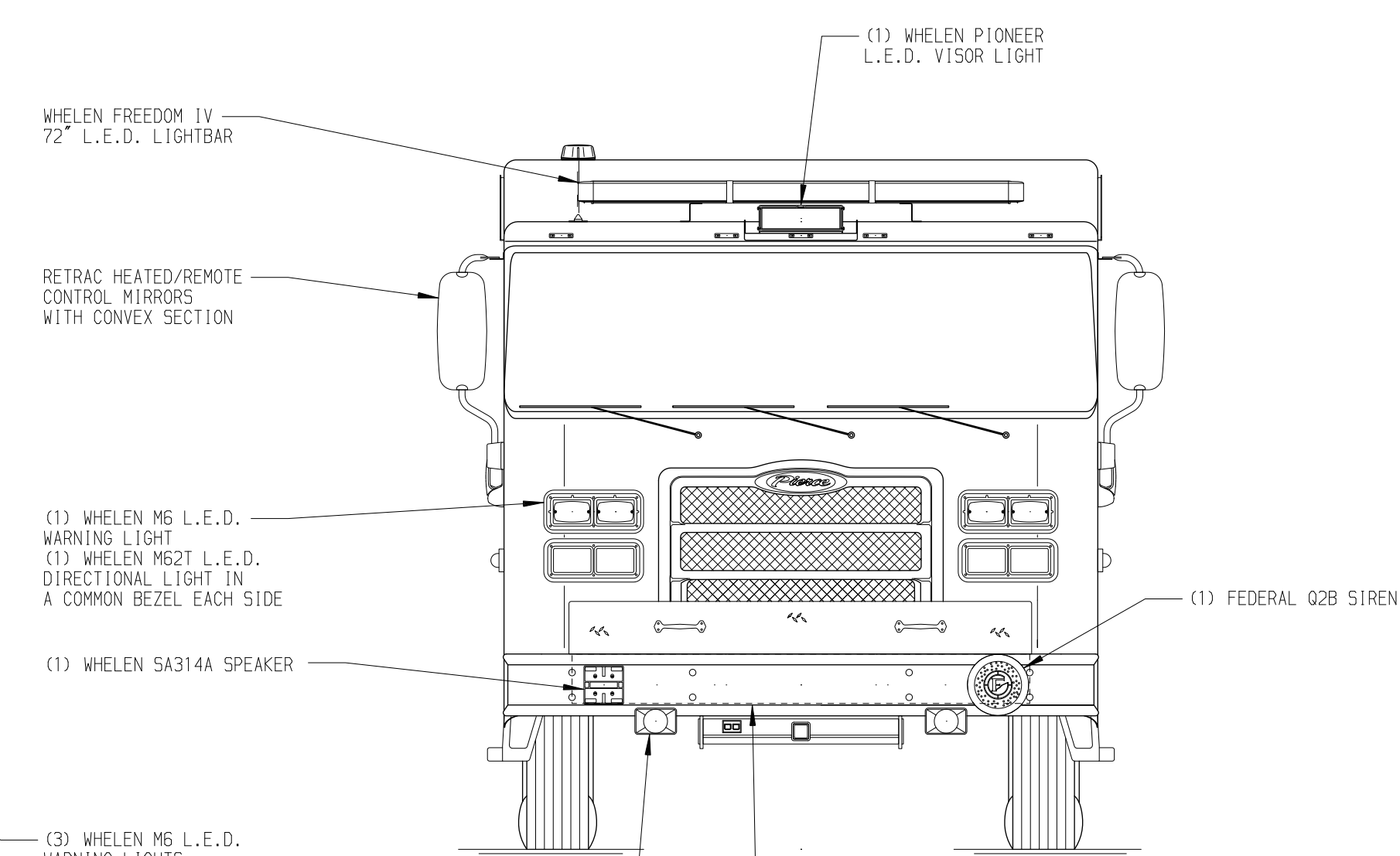
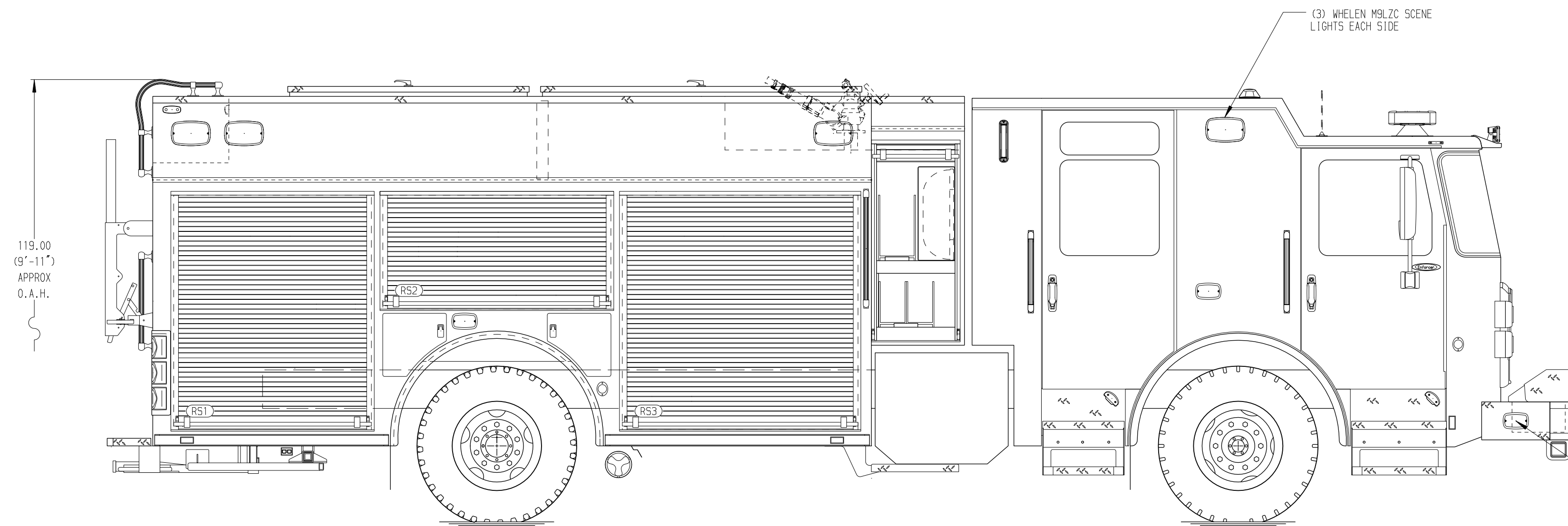
Foam System Not Required

Foam Cell

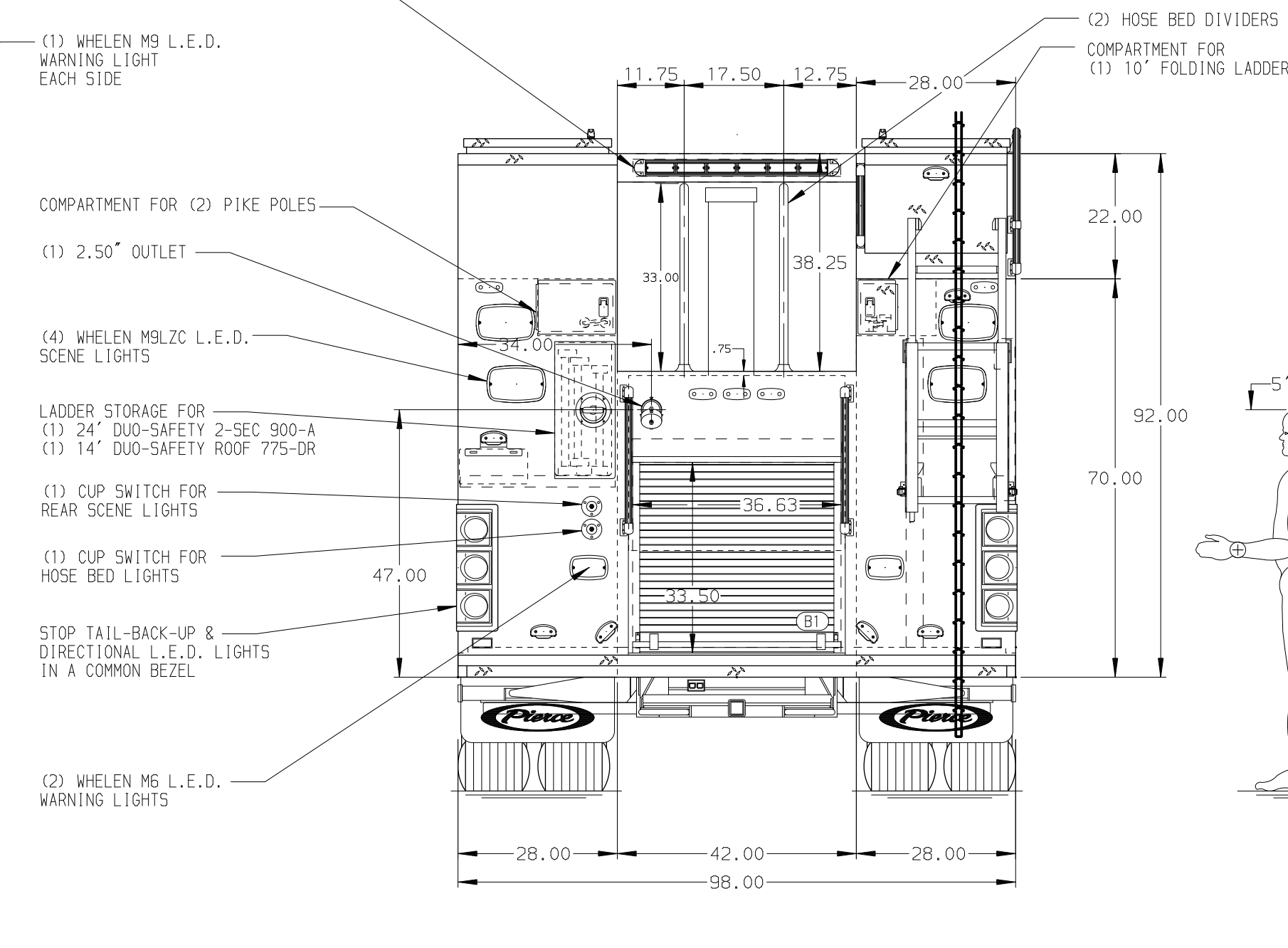
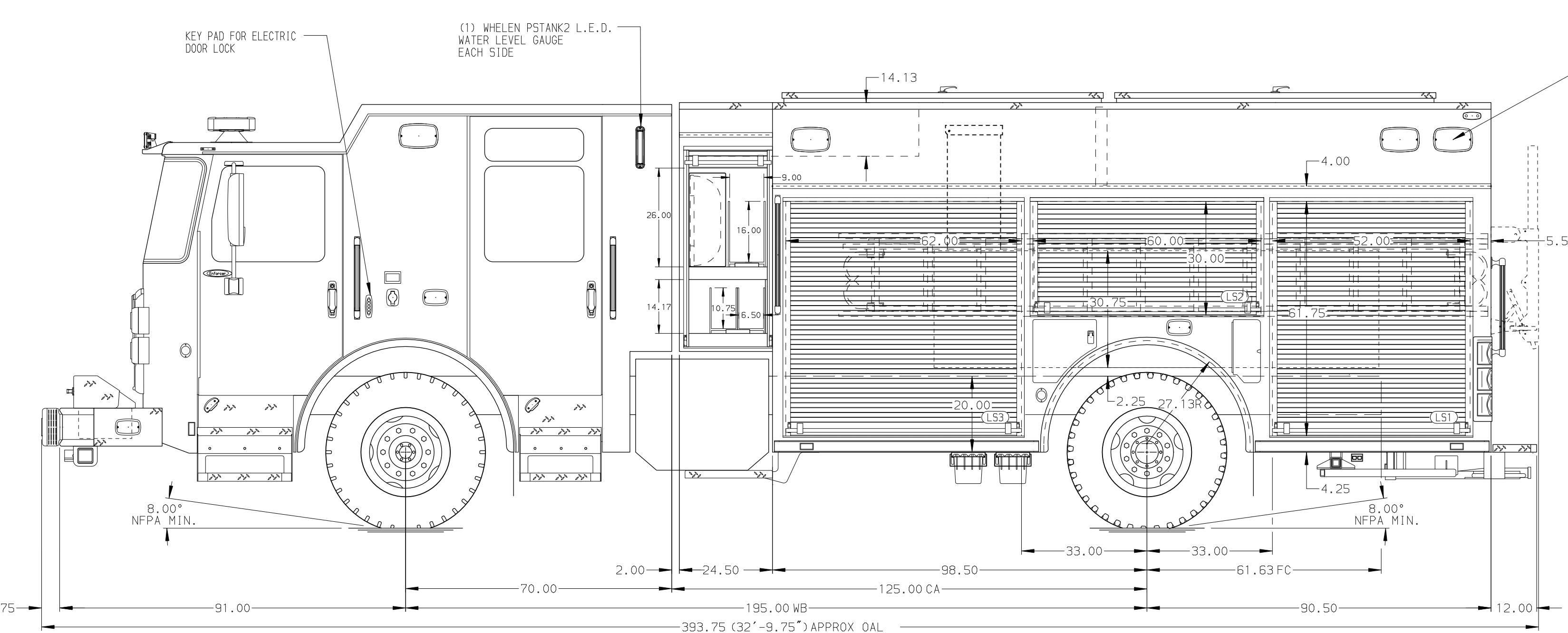
Foam Cell Not Required

NOTE
DIMENSIONS SHOWN ARE APPROXIMATE AND ARE SUBJECT TO MINOR DEVIATIONS AS MAY OCCUR OR BE NECESSARY IN CONSTRUCTION. MINOR DETAILS NOT SHOWN.

- ONE 1.50 OUTLET WITH 2.00 PIPING AND SWIVEL LOCATED IN PS BUMPER TRAY
- SHORELINE RECEPTACLE WITH KUSMAUL SUPER AUTO-EJECT LOCATED ON DRIVER SIDE OF THE CAB
- AIR INLET/OUTLET WITH FEMALE FITTING MILTON M LOCATED ON DRIVER SIDE PUMP PANEL
- BATTERY CHARGER LOCATED PER ORDER
- BATTERY CHARGER INDICATOR LOCATED ON DRIVER SIDE OF CAB
- EIGHT ADJUSTABLE SHELVES LOCATED PER ORDER
- FOUR FLOOR MOUNTED SLIDE-OUT TRAY LOCATED PER ORDER
- ONE SWING-OUT TOOLBOARD LOCATED PER SHOP ORDER



HOSEBED CAPACITY	
BED 1	200' OF 3.00" D.J. POLY HOSE (BELOW)
	200' OF 1.75" D.J. POLY HOSE (ABOVE)
BED 2	600' OF 5.00" D.J. POLY HOSE
BED 3	1000' OF 3.00" D.J. POLY HOSE



Pierce MANUFACTURING INC.		JOB NO.	38978
		SCALE	DATE
		1:24	
		DRAWN BY	27JUN23
		MMF	
		CHECKED BY	11JUL23
		AMI	
		SHEET SIZE	SHEET NO.
		D	1 OF 1
Pierce Pumper Approval Drawing		38978AD	
Cartersville Fire Department			
CHASSIS DATA	TITLE		
MAKE	FOR		
PIERCE			
MODEL	DWG NO.		
ENFORCER			

REV	DATE	BY	CH
13FEB24	MMF	ZWE	MAKE
17NOV23	MMF	ZWE	PIERCE
06SEP23	MMF	ZWE	MODEL