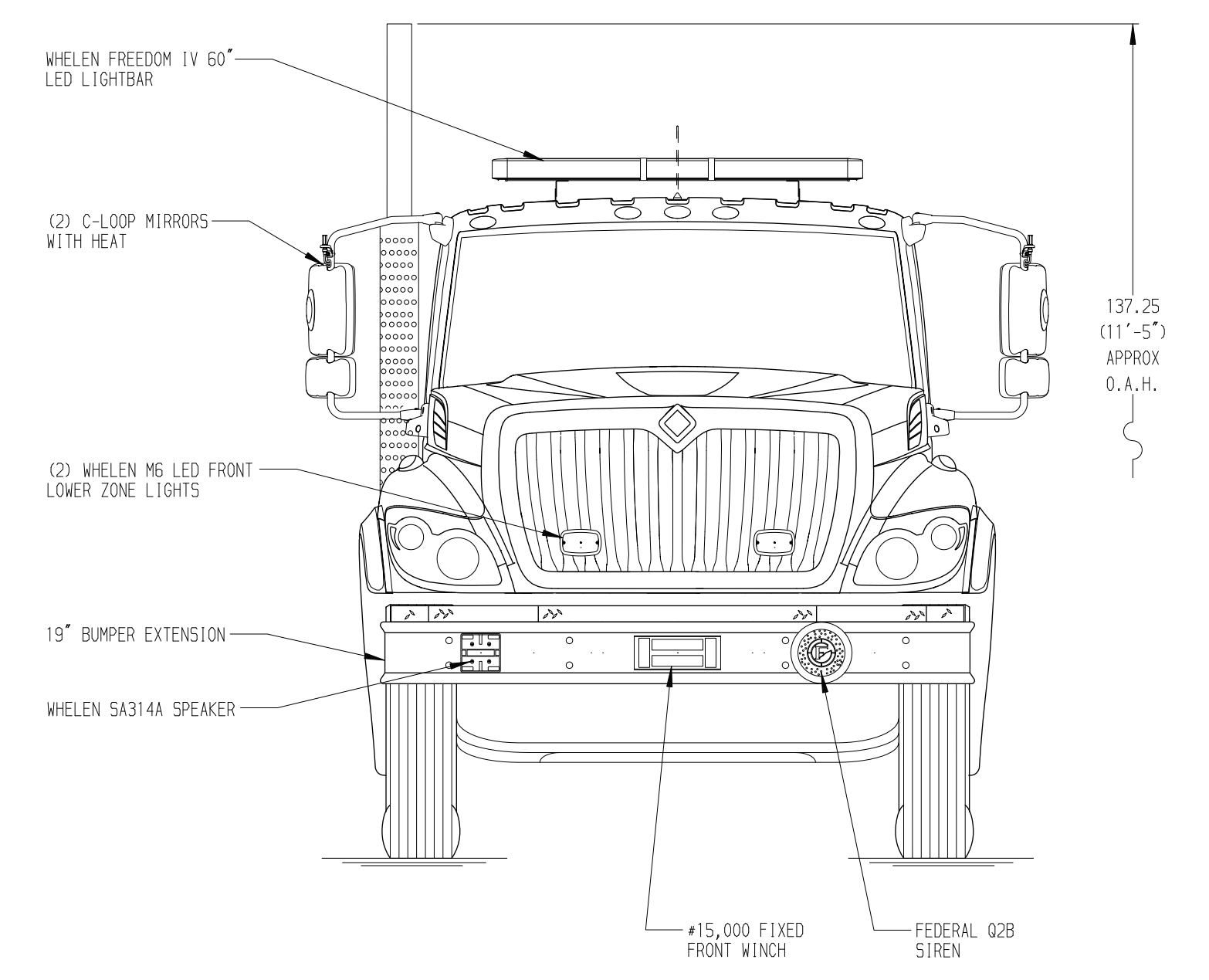
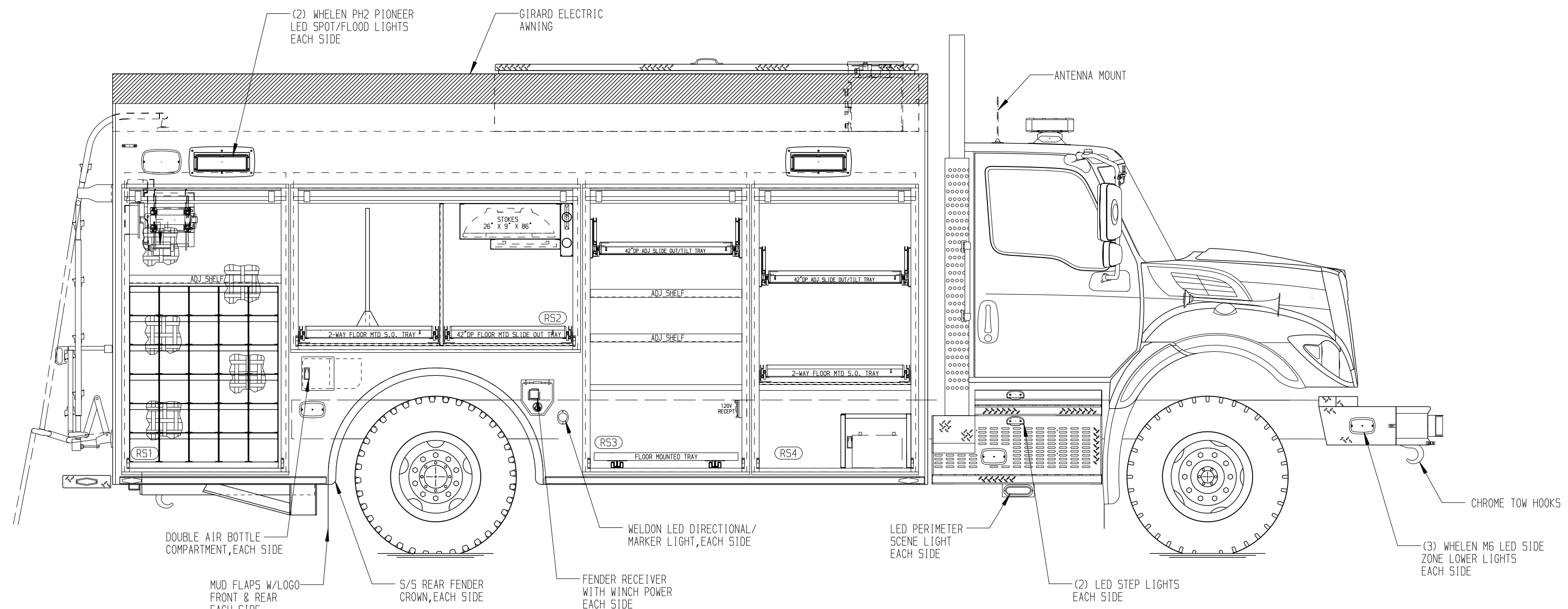


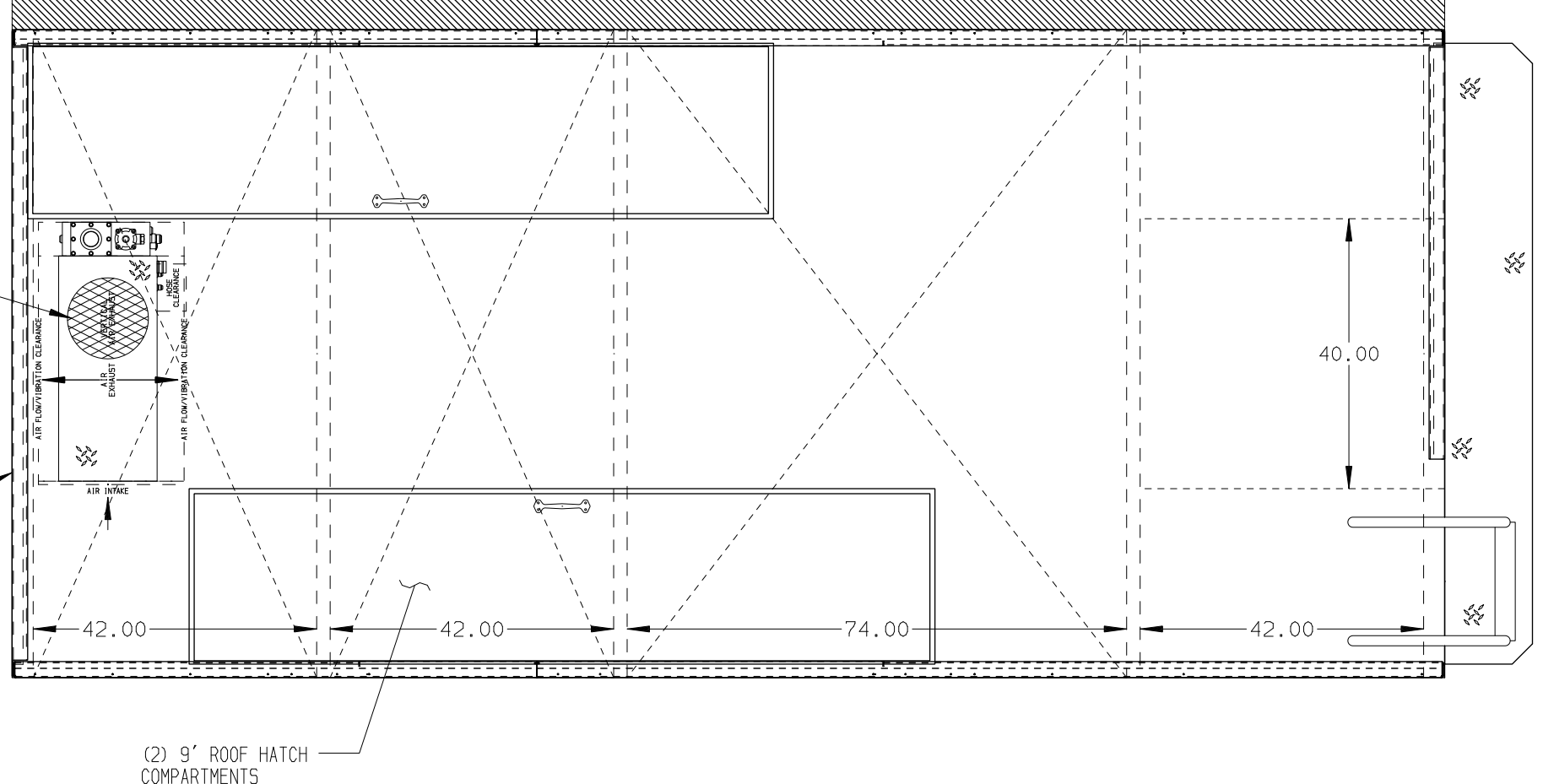
RIGHT SIDE COMPARTMENTS CONTAIN THE FOLLOWING:

- COMPARTMENT RS1 CONTAINS:**
 - CARGO RETENTION NETTING
 - (1) RACK FOR 30 SCBA BOTTLES
 - (1) 22" DP ADJ SHELF
 - (1) ELECTRIC CORD REEL WITH 150' OF 10/3 YELLOW CORD
- COMPARTMENT RS2 CONTAINS:**
 - (1) 2-WAY VERTICAL DIVIDER
 - (1) RACK FOR 2 PIKE POLES
 - (1) 42" DP FLOOR MTD SLIDE OUT TRAY
 - (1) STOKES BASKET RACK
 - (1) BACKBOARD RACK
 - (1) 2-WAY FLOOR MTD SLIDE OUT TRAY WITH TOOLBOARD
- COMPARTMENT RS3 CONTAINS:**
 - (1) HORIZONTAL FLOOR EXTENSION
 - (2) 42" DP ADJ SHELVES
 - (1) 42" DP ADJ SLIDE OUT/TILT TRAY
 - (1) FLOOR MOUNTED TRAY
 - (1) 15/20A, 120V DUPLEX RECEPTACLE
- COMPARTMENT RS4 CONTAINS:**
 - (1) HORIZONTAL FLOOR EXTENSION
 - (1) 42" DP ADJ SLIDE OUT/TILT TRAY
 - (1) 2-WAY FLOOR MOUNTED SLIDE OUT TRAY
 - (1) COMPARTMENT FOR CHASSIS BATTERIES



REAR COMPARTMENT CONTAINS THE FOLLOWING:

COMPARTMENT B1 CONTAINS:
 - (2) 38" DP ADJ SLIDE OUT/TILT TRAYS
 - (1) 38" DP FLOOR MOUNTED SLIDE OUT TRAY



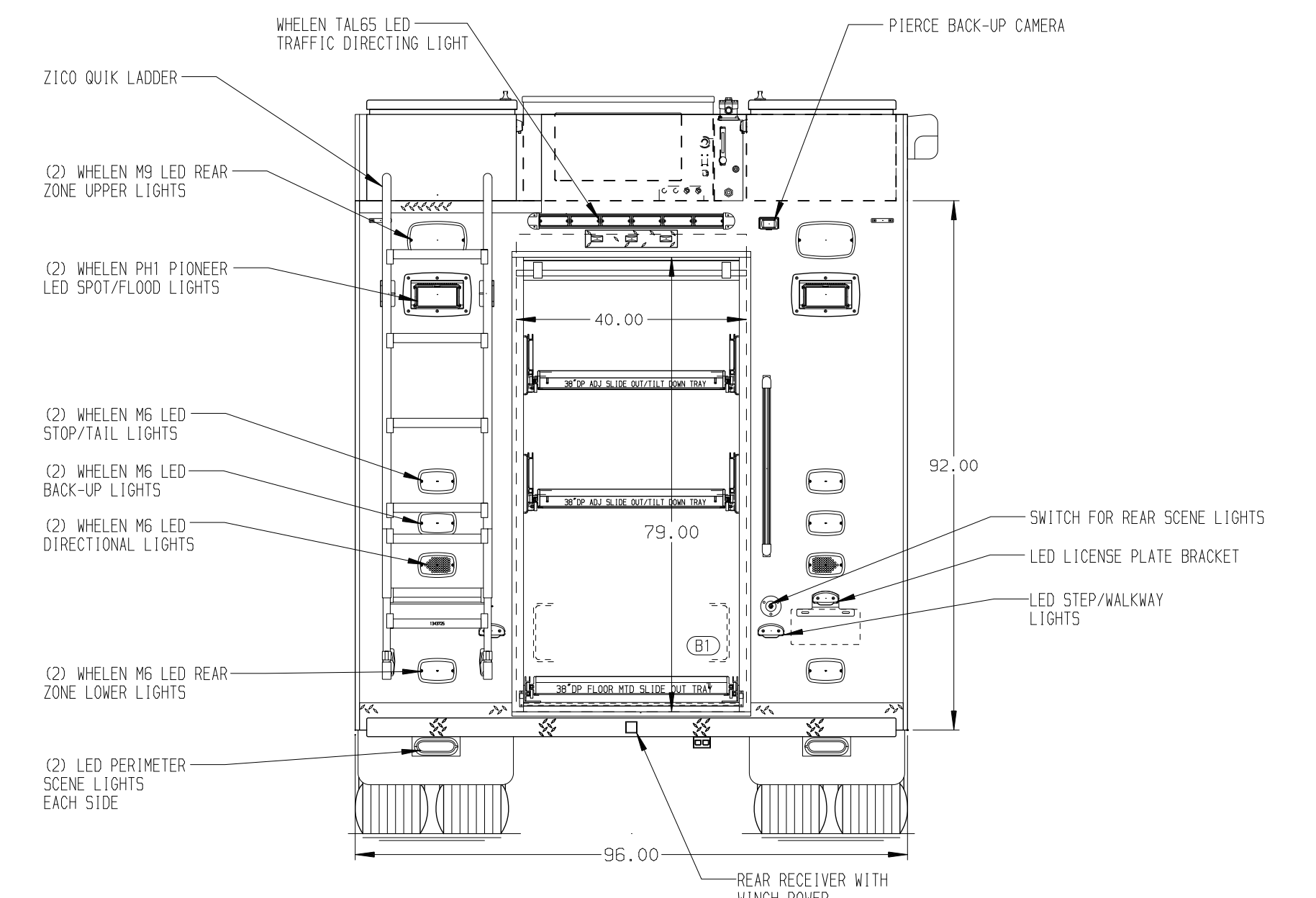
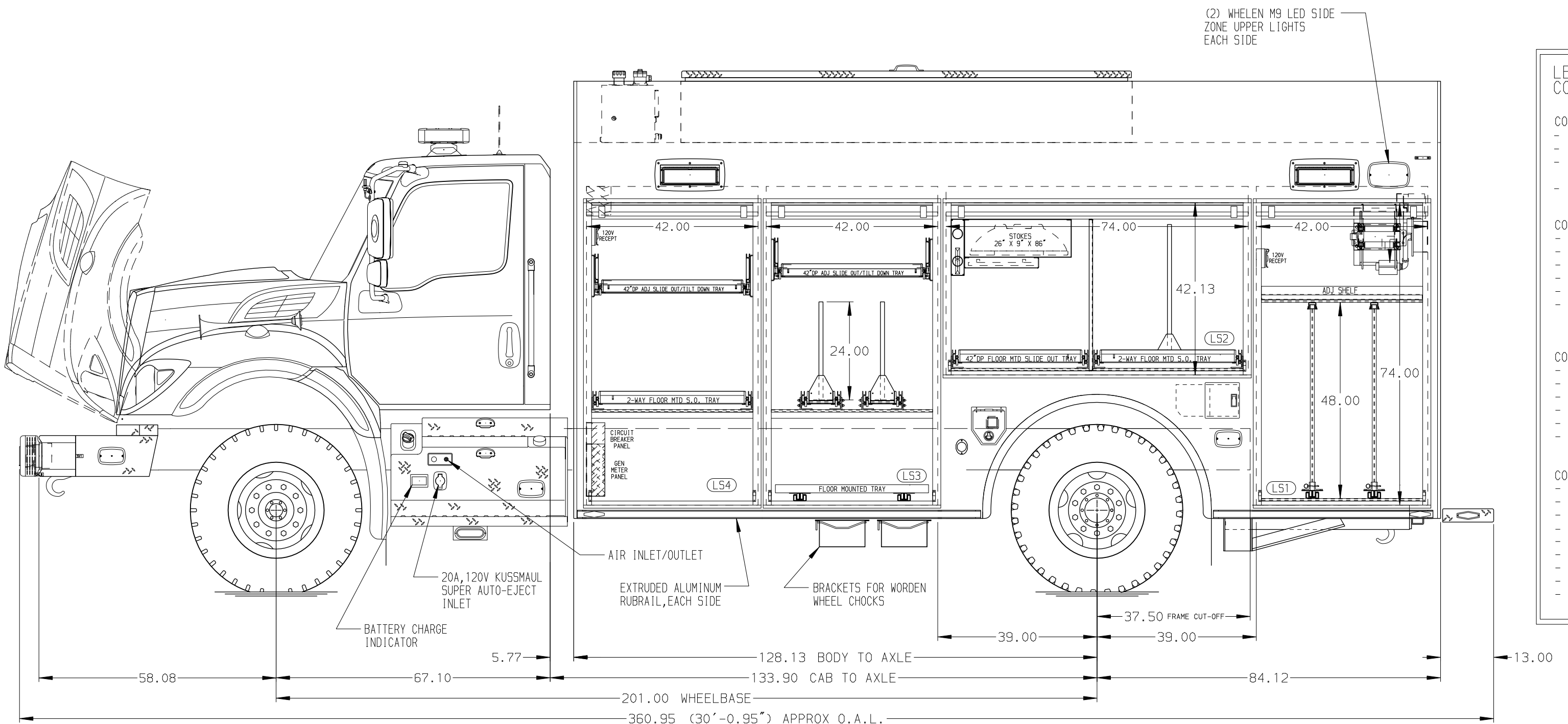
LEFT SIDE COMPARTMENTS CONTAIN THE FOLLOWING:

COMPARTMENT LS1 CONTAINS:
 - (1) 22" DEPTH ADJ SHELF
 - (2) 22" DP ADJ SLIDE OUT TOOLBOARDS
 - (1) ELECTRIC CORD REEL WITH 150' OF 10/3 YELLOW CORD
 - (1) 15/20A, 120V DUPLEX RECEPTACLE

COMPARTMENT LS2 CONTAINS:
 - (1) 2-WAY VERTICAL DIVIDER
 - (1) RACK FOR 2 PIKE POLES
 - (1) STOKES BASKET RACK
 - (1) BACKBOARD RACK
 - (1) 42" DP FLOOR MOUNTED SLIDE OUT TRAY
 - (1) 2-WAY FLOOR MTD SLIDE OUT TRAY WITH TOOLBOARD

COMPARTMENT LS3 CONTAINS:
 - (2) 42" DP FLOOR MTD SLIDE OUT TOOLBOARDS
 - (1) HORIZONTAL FLOOR EXTENSION
 - (1) 42" DP ADJ SLIDE OUT/TILT TRAY
 - (1) FLOOR MOUNTED TRAY

COMPARTMENT LS4 CONTAINS:
 - (1) KUSMAUL 60TA CHARGER
 - (1) HORIZONTAL FLOOR EXTENSION
 - (1) 42" DP ADJ SLIDE OUT/TILT TRAY
 - (1) 2-WAY FLOOR MOUNTED SLIDE OUT TRAY
 - (1) CIRCUIT BREAKER PANEL
 - (1) GENERATOR METER PANEL
 - (1) 15/20A, 120V DUPLEX RECEPTACLE



NOTE:
 DIMENSIONS SHOWN ARE APPROXIMATE AND ARE SUBJECT TO MINOR DEVIATIONS AS MAY OCCUR OR BE NECESSARY IN CONSTRUCTION. MINOR DETAILS NOT SHOWN.

- NOTES:**
 1. (2) #9,000 RECEIVER STYLE TIE DOWNS
 2. PULL-STRAPS FOR ALL ROLL-UP DOORS
 3. PIERCE LED LIGHTS IN ALL BODY AND HATCH COMPARTMENTS

				CHASSIS DATA	TITLE	ENCORE RESCUE VEHICLE	JOB NO.	38980
				MAKE	FOR	42.42.74.42	SCALE	1:24
				MODEL	FOR	CARTERSVILLE FIRE DEPARTMENT	DRAWN BY	DHE
					REV	BID #726	CHECKED BY	CDK
					DATE		GUY BINION	03AUG23
					BY		SHEET SIZE	D
					CH		SHEET NO.	1 OF 1
							DWG NO.	38980AD