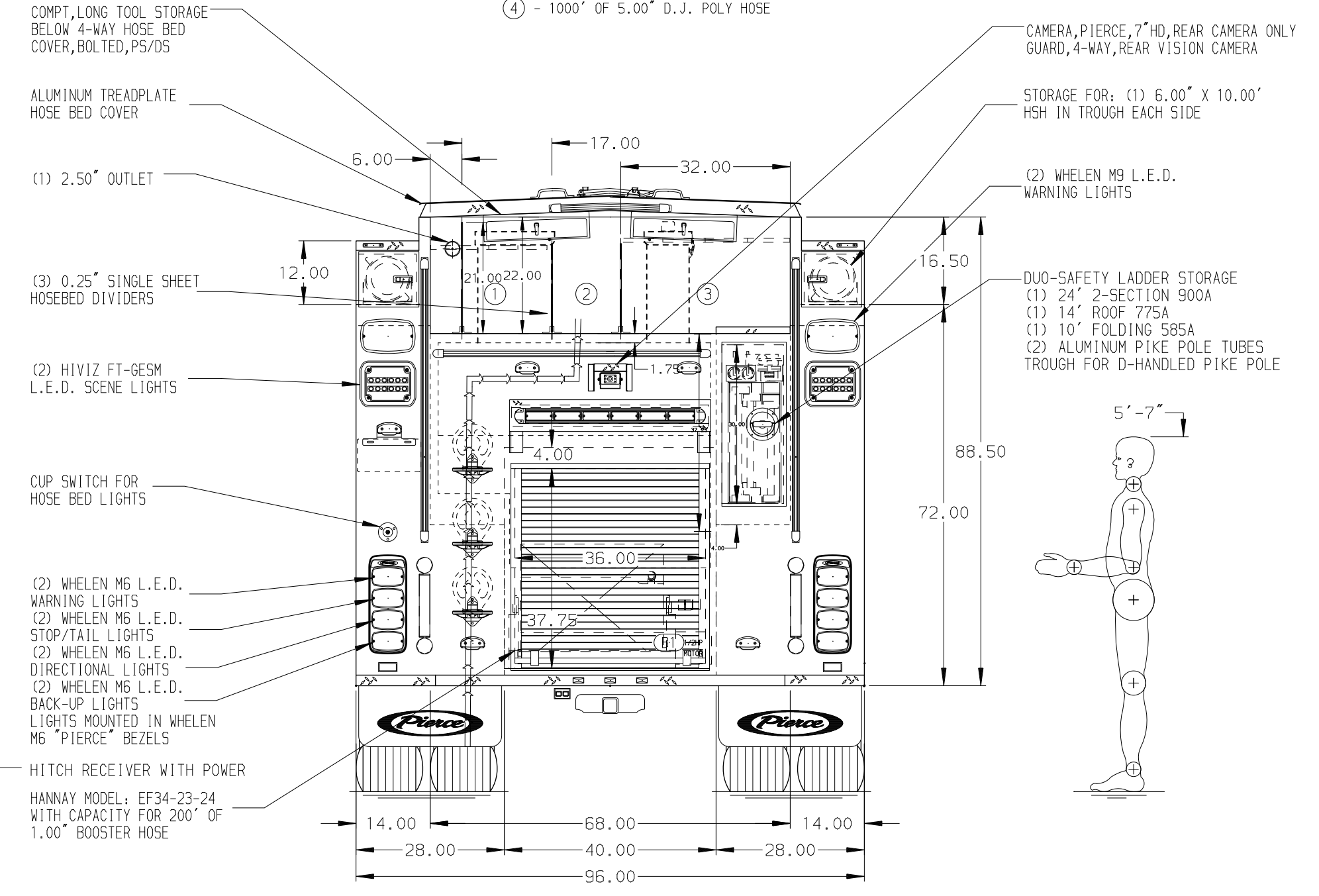
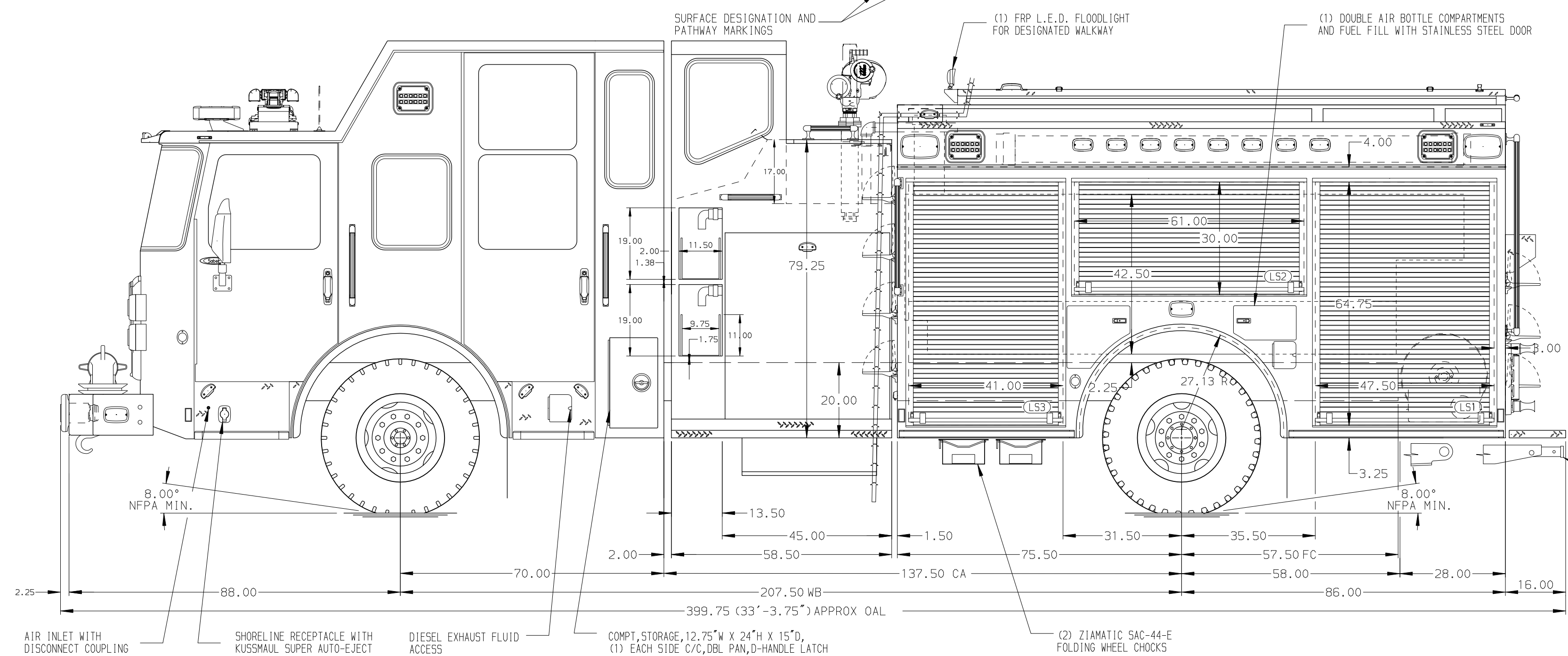


- HOSEBED CAPACITIES
- ① - 300' OF 2.50" D.J. HOSE (SINGLE STACK)
 - ② - 700' OF 3.00" D.J. HOSE
 - ③ WALKWAY WITH ALUMINUM TREADPLATE
 - ④ - 1000' OF 5.00" D.J. POLY HOSE



ALUMINUM BODY

NOTE
DIMENSIONS SHOWN ARE APPROXIMATE AND ARE SUBJECT TO MINOR DEVIATIONS AS MAY OCCUR OR BE NECESSARY IN CONSTRUCTION. MINOR DETAILS NOT SHOWN.

REV	DATE	BY	CH	SABER FR
16MAY23	KLE	JAP		
17MAR23	RHU	JAP		
13JAN23	JJB	CZA		

	JOB NO.	38992
	SCALE	1:24
TITLE 1250-D-1050P, 1000G WATER, 50G FOAM, 161" FDLER BODY LADDERS BTWN TANK & SS, (2) SPEEDLAYS, DELUGE	DRAWN BY	JJB
	CHECKED BY	CZA
FOR SUNDRE DISTRICT FIRE DEPARTMENT SUNDRE, ALBERTA CANADA	SHEET SIZE	D
	SHEET NO.	1 OF 1
DWG NO. 38992AD		