

PUMPER BODY
Medium Aluminum 2nd Gen Pumper

CHASSIS
Enforcer Chassis

CHASSIS AXLE, FRONT, CUSTOM
19,500 Lb TAK-4 Axle

AXLE, REAR
31,000 Lb Dana Axle

ENGINE
450 HP Cummins L9 Engine

TRANSMISSION
Allison 6th Gen, 3000 EVS P

BUMPER
19" Extended Painted Steel

CAB
7010 Enforcer Cab

BODY TOTAL TANK CAPACITY
1000 Gallon Poly Tank

WATER CAPACITY
1000 Gallons of Water

FOAM CELL
Not Required

COMPT, PUMPER, REAR
51.25" FF RollUp Rear Compt

COMPT, PUMPER, LEFT SIDE
152" Lap Full Height Front & Rear FDLER

COMPT, PUMPER, RIGHT SIDE
152" Lap Full Height Front & Rear FDLER

FIRE SUPPRESSION PUMPHOUSE
52" Control Zone Side Mount

PUMP
1500 GPM Waterous CSU

CROSSLAYS, 1.50"
(2) 1.50" Standard Capacity

CROSSLAYS, 2.50"
(1) 2.50" Standard Capacity

SPEEDLAYS
SpeedLays Not Required

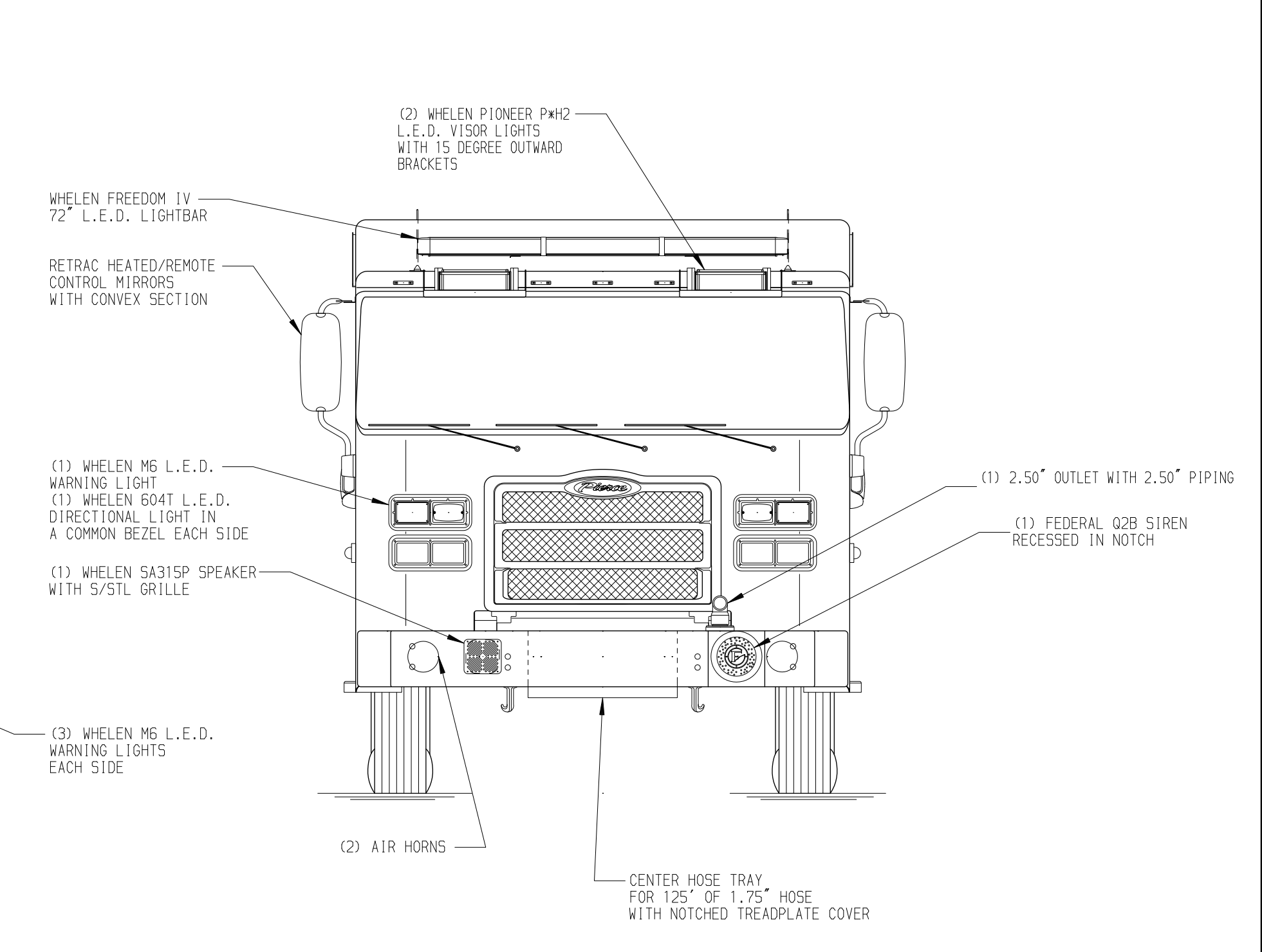
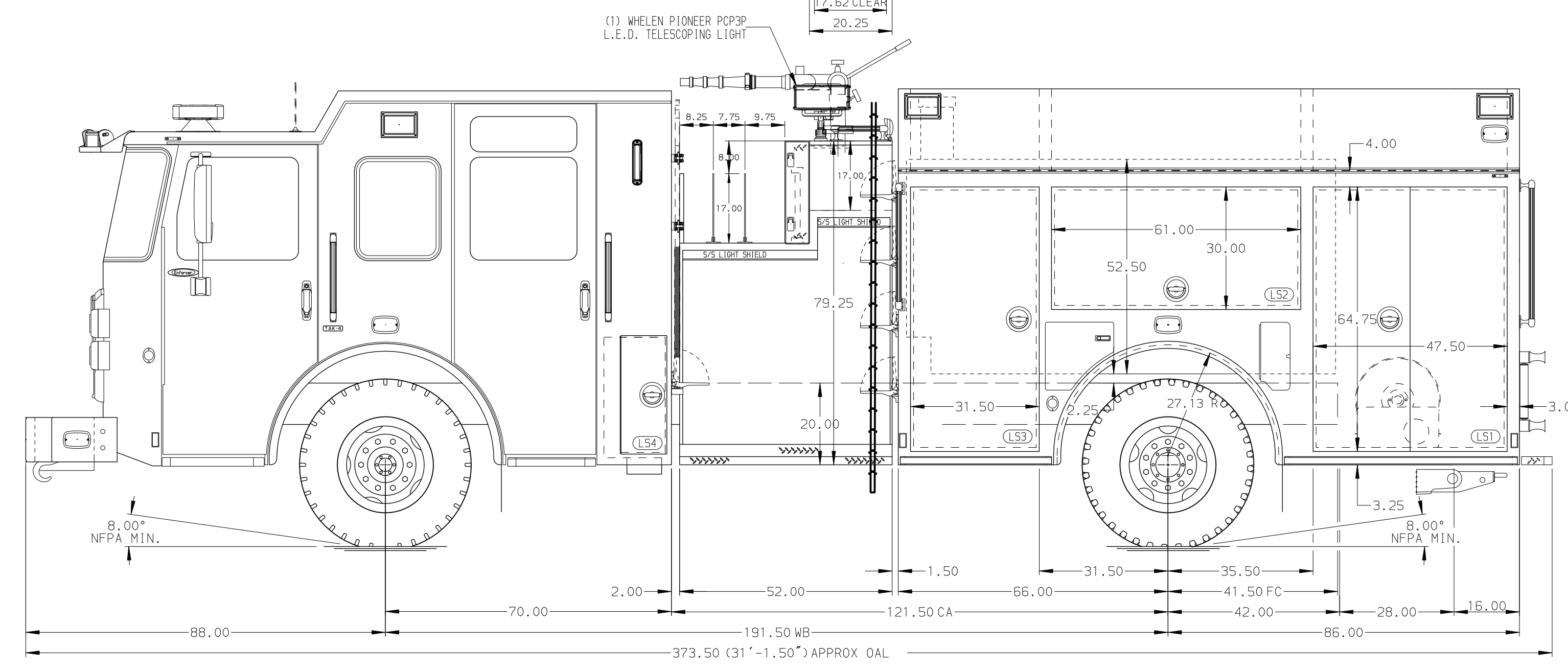
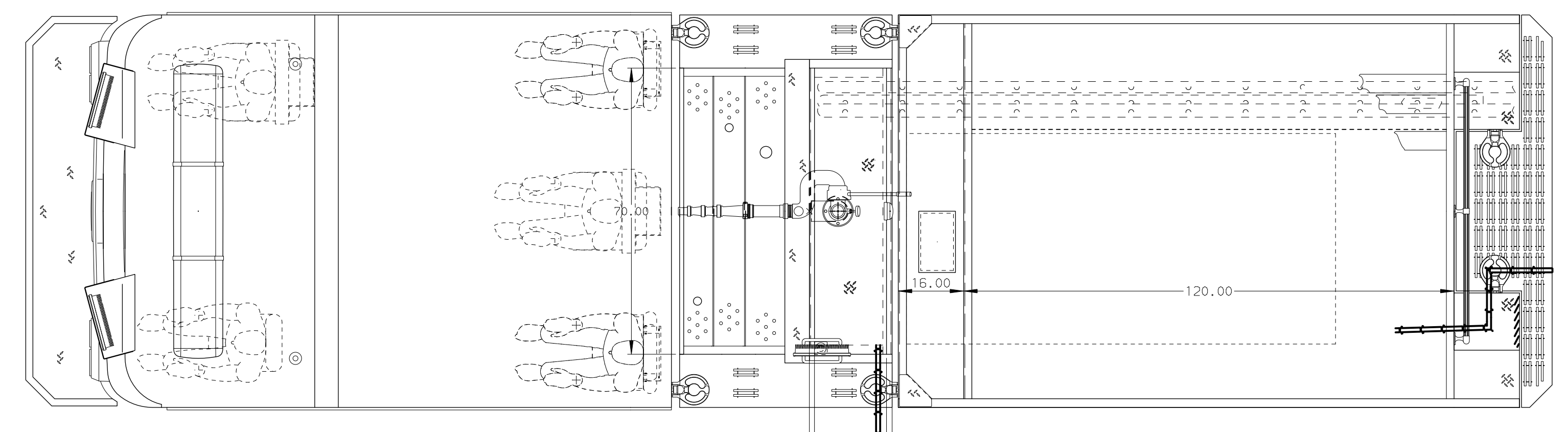
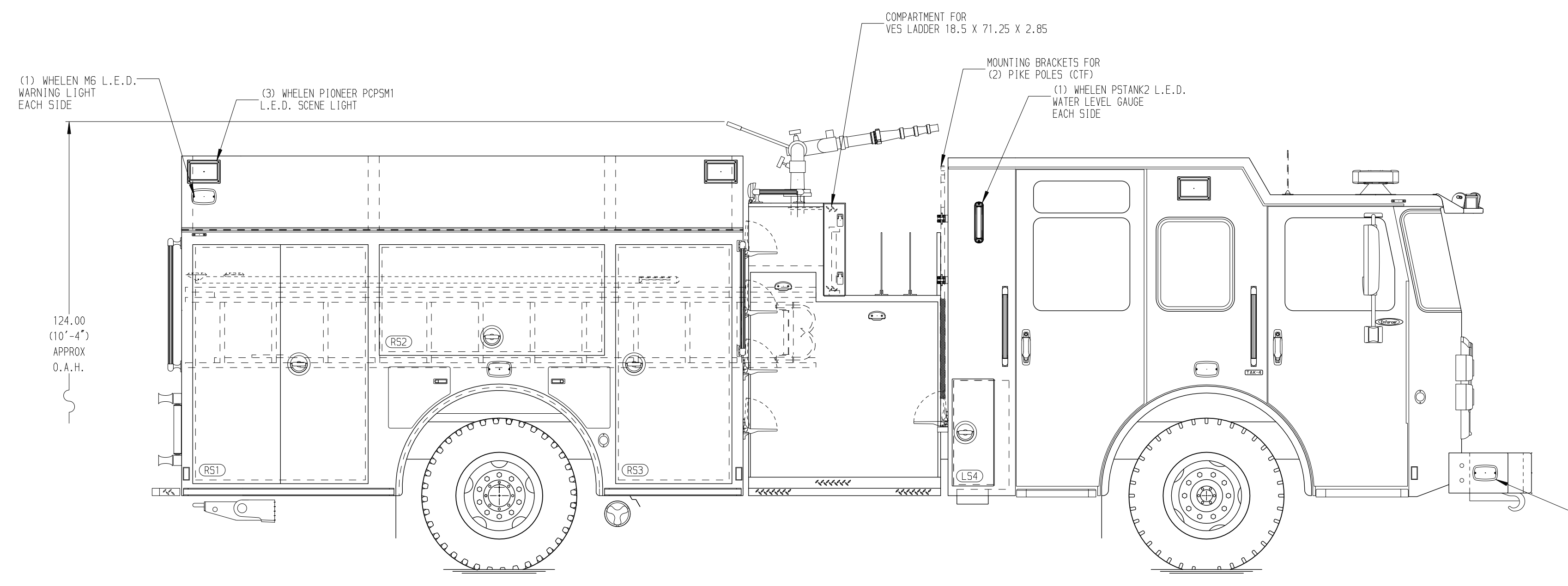
GENERATOR
Generator Not Required

FOAM SYSTEM
Not Required

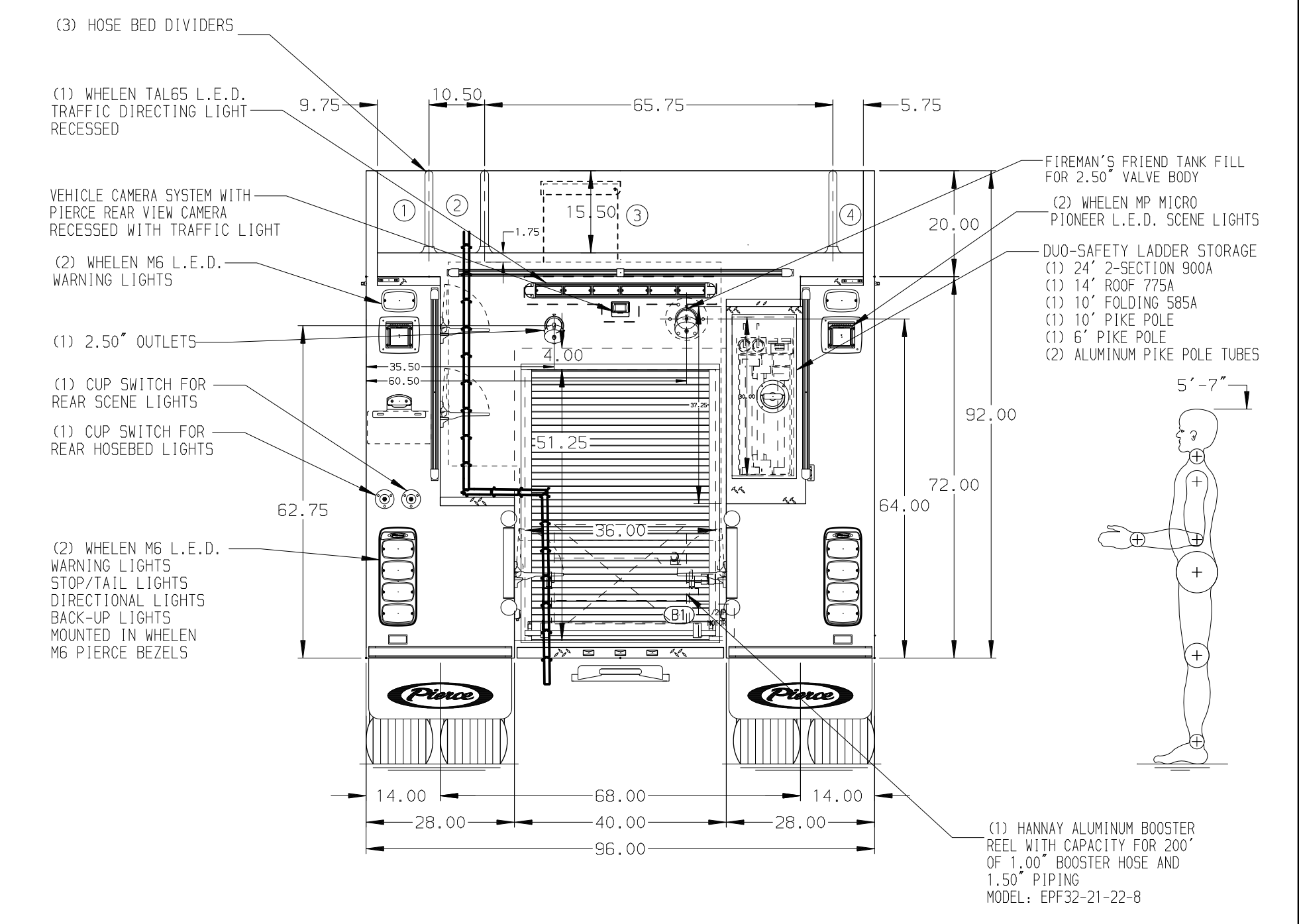
SAFETY

NOTE
DIMENSIONS SHOWN ARE APPROXIMATE AND ARE SUBJECT TO MINOR DEVIATIONS AS MAY OCCUR OR BE NECESSARY IN CONSTRUCTION. MINOR DETAILS NOT SHOWN.

- SHOULDER RECEPTACLE WITH KUSSMALL SUPER AUTO-EJECT LOCATED ON DRIVER SIDE OF THE CAB
- AIR INLET WITH DISCONNECT COUPLING ON THE PUMP PANEL
- BATTERY CHARGER LOCATED PER ORDER
- EIGHT ADJUSTABLE SHELVES LOCATED PER ORDER
- THREE FLOOR MOUNTED SLIDE-OUT TRAY LOCATED PER ORDER
- ONE SWING-OUT TOOLBOARD LOCATED PER ORDER
- ONE TILY/SLIDE OUT LOCATED PER ORDER
- TWO ADJ. SLIDE OUT TRAYS PER ORDER
- ONE 4 DRAWER CTECH LOCATED PER ORDER
- PAC TRAC TOOLBOARD ON BACK WALL PER ORDER



HOSEBED CAPACITY	
BED 1	250' OF 2.50" D.J. POLY HOSE
BED 2	250' OF 2.50" D.J. POLY HOSE
BED 3	1000' OF 4.00" D.J. POLY HOSE
BED 4	150' OF 2.50" D.J. POLY HOSE



Pierce MANUFACTURING INC.		JOB NO.	38993
		SCALE	1:24
		DATE	
TITLE		Pumper Approval Drawing	
DRAWN BY		JAM	06DEC23
FOR		Elk City Fire Department	
CHECKED BY		MMF	07DEC23
DWG NO.		38993AD	
SHEET SIZE		D	SHEET NO. 1 OF 1

REV	DATE	BY	CH	ENFORCER
26MAR24	JAM	JLL		PIERCE
24JAN24	JAM	JLL		PIERCE