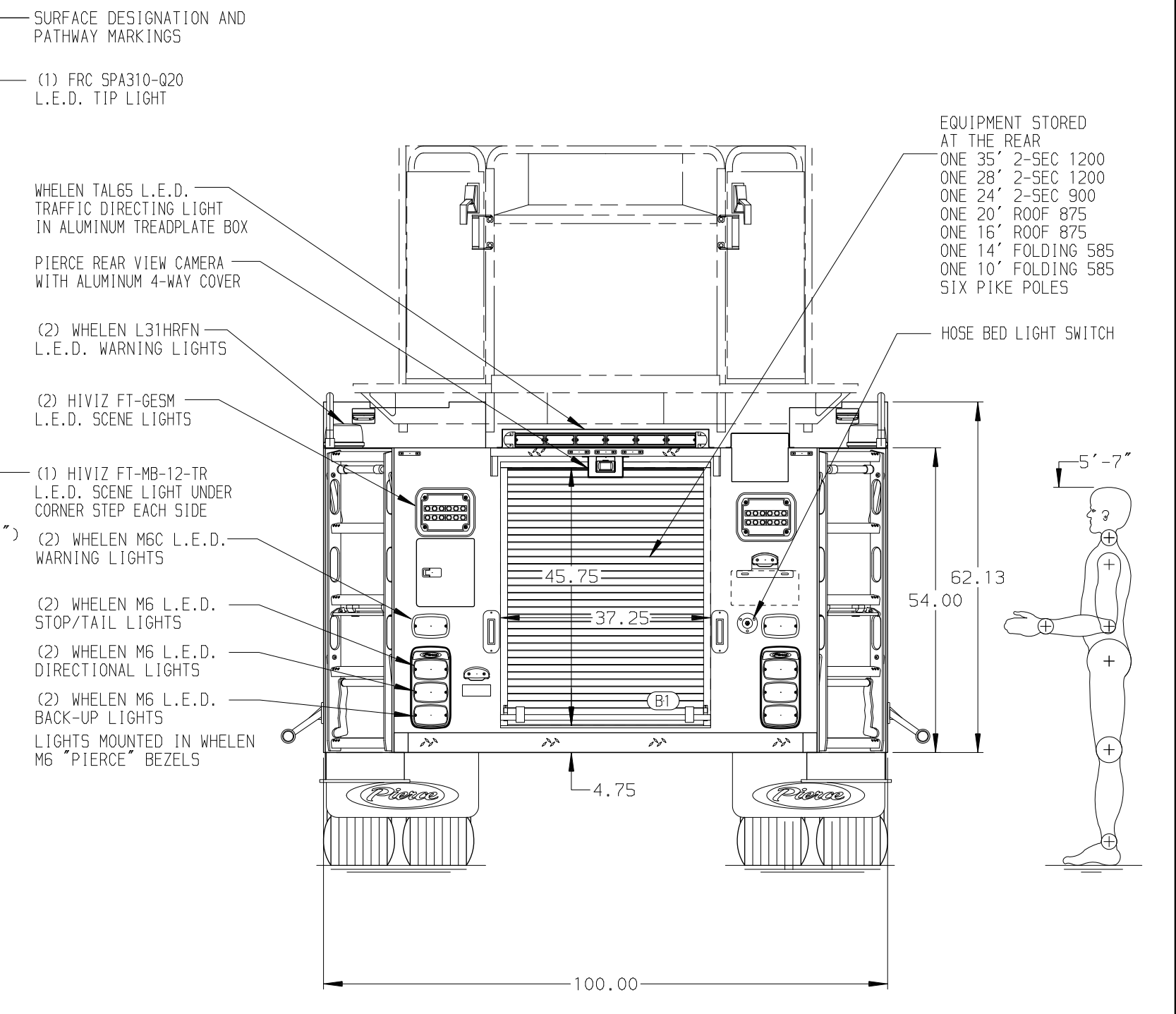
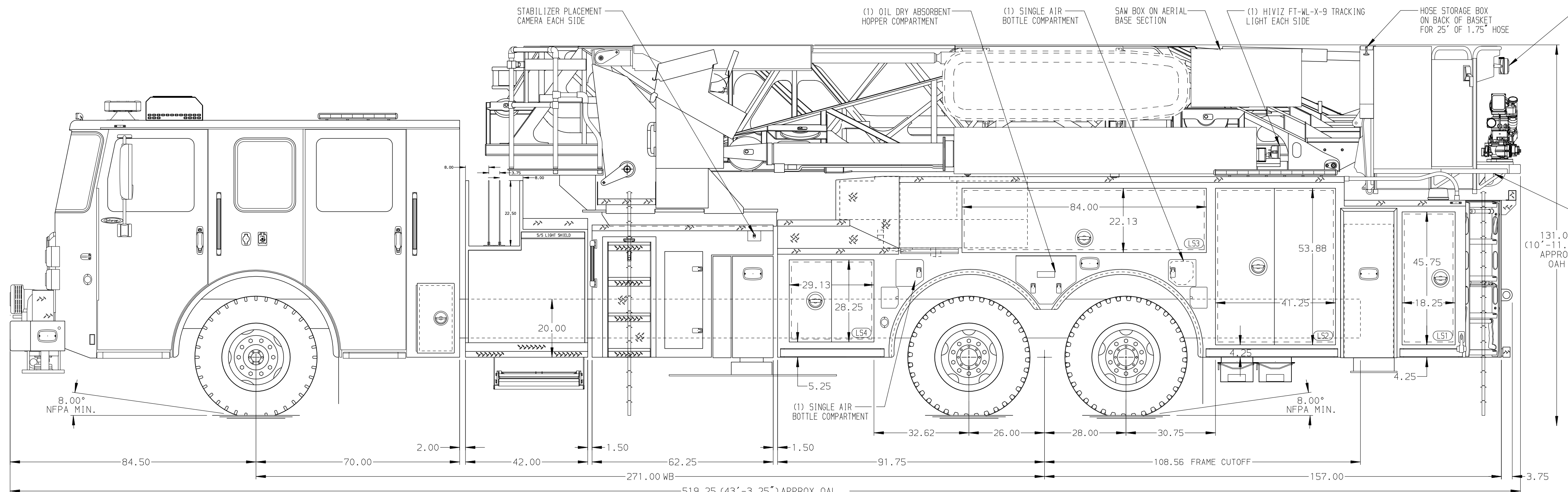


<b>BODY</b> 100' Ascendant Aerial Tower Alum Body <b>COMPT, LEFT SIDE</b> Full Height Lap Doors <b>COMPT, RIGHT SIDE</b> Full Height Lap Doors	<b>WATER TANK</b> 300 Gallon Poly Water Tank <b>Foam System</b> Foam System Not Required <b>Foam Cell</b> Foam Cell Not Required
---	---



<b>CHASSIS</b> Enforcer Chassis <b>ENGINE</b> 605 HP Cummins X15 Engine	<b>CAB</b> 7000 Enforcer Cab <b>BUMPER</b> 15" Painted Aluminum	<b>AXLE, FRONT, CUSTOM</b> 23,000 Lb Dana Axle <b>AXLE, REAR</b> 54,000 Lb Meritor Axle	<b>TRANSMISSION</b> Allison 6th Gen, 4500 EV5 P	<b>PUMPHOUSE</b> 42" Control Zone Side Mount <b>PUMP</b> 1750 GPM Waterous S100	<b>CROSSLAYS, 1.50"</b> (2) 1.50" Standard Capacity <b>DEADLAYS, 2.50"</b> (1) 200' Special Size	<b>SPEEDLAYS</b> Speedlays Not Required <b>GENERATOR</b> -	<b>SAFETY</b> Side Roll and Frontal Impact Protection		JOB NO. 39009 SCALE 1:24 DATE DRAWN BY LWE 12SEPT23 CHECKED BY NDA 19SEP23 SHEET SIZE D SHEET NO. 1 OF 1																				
<b>NOTE</b> DIMENSIONS SHOWN ARE APPROXIMATE AND ARE SUBJECT TO MINOR DEVIATIONS AS MAY OCCUR OR BE NECESSARY IN CONSTRUCTION. MINOR DETAILS NOT SHOWN.																													
1. SHORELINE RECEPTACLE WITH KUSSMAUL SUPER AUTO-EJECT LOCATED ON DRIVER SIDE OF THE CAB 2. AIR INLET WITH KUSSMAUL AIR EJECT LOCATED IN THE DRIVER SIDE STEPWELL 3. BATTERY CHARGER LOCATED PER ORDER 4. FOUR ADJUSTABLE SHELVES LOCATED IN COMPARTMENTS PER ORDER 5. TWO TILT/SLIDE-OUT TRAYS LOCATED IN COMPARTMENTS PER ORDER 6. ONE FOUR-DRAWER CTECH CABINET LOCATED IN COMPARTMENT PER ORDER 7. THREE FLOOR MOUNTED SLIDE-OUT TRAYS LOCATED IN COMPARTMENTS PER ORDER 8. ONE SWING-OUT ALUMINUM TOOLBOARD LOCATED IN COMPARTMENT PER ORDER 9. ONE PEGBOARD ON BACK WALL LOCATED IN COMPARTMENT PER ORDER 10. ELEVEN 120V RECEPTACLES PER ORDER			11. 3-in-1 LYFECOMBO BRACKETS AT AERIAL BASKET 12. ONE ALUMINUM TOOLBOARD ADDED TO SLIDE-OUT TRAY LOCATED PER ORDER 13. ONE VERTICAL PARTITION LOCATED IN COMPARTMENT PER ORDER 14. RUNG LIGHTING PER ORDER 15. DC POWER TO AERIAL TIP 16. NON-RAISED AERIAL PEDESTAL							CHASSIS DATA TITLE 100' ASCENDANT AERIAL TOWER AND BODY ASSEMBLY FOR MONROE FIRE DEPARTMENT MONROE, WI DWG NO. 39009AD																			
<table border="1"> <tr> <th>REV</th> <th>DATE</th> <th>BY</th> <th>CH</th> <th>ENFORCER</th> </tr> <tr> <td>01JUL24</td> <td>ANZ</td> <td>DTJ</td> <td>MAKE</td> <td></td> </tr> <tr> <td>09FEB24</td> <td>LWE</td> <td>DTJ</td> <td>PIERCE</td> <td></td> </tr> <tr> <td>28NOV23</td> <td>ANZ</td> <td>DTJ</td> <td>MODEL</td> <td></td> </tr> </table>										REV	DATE	BY	CH	ENFORCER	01JUL24	ANZ	DTJ	MAKE		09FEB24	LWE	DTJ	PIERCE		28NOV23	ANZ	DTJ	MODEL	
REV	DATE	BY	CH	ENFORCER																									
01JUL24	ANZ	DTJ	MAKE																										
09FEB24	LWE	DTJ	PIERCE																										
28NOV23	ANZ	DTJ	MODEL																										