

PUMPER BODY
Medium Aluminum 2nd Gen Pumper

CHASSIS
Enforcer Chassis

CHASSIS AXLE, FRONT, CUSTOM
18,000 Lb Dana Axle

AXLE, REAR
27,000 Lb Dana Axle

ENGINE
450 HP Cummins L9 Engine

TRANSMISSION
Allison 6th Gen, 3000 EVS P

BUMPER
19" Extended Painted Steel

CAB
7010 Enforcer Cab

BODY TOTAL TANK CAPACITY
525 Gallon Poly Tank

WATER CAPACITY
500 Gallons of Water

FOAM CELL
25 Gallon Foam Cell

COMPT, PUMPER, REAR
44.50" FF RollUp Rear Compt

COMPT, PUMPER, LEFT SIDE
152" Roll Up Full Height & Depth Front & Rear

COMPT, PUMPER, RIGHT SIDE
152" Roll Up Full Height & Depth Front & Rear

FIRE SUPPRESSION PUMPHOUSE
34" Control Zone Side Mount

PUMP
1500 GPM Waterous CX

CROSSLAYS, 1.50"
(1) 1.50" CrossLay Std. Capacity

CROSSLAY, 2.50"
2.50" Not Required

SPEEDLAYS
(2) 1.50" Std. Capacity

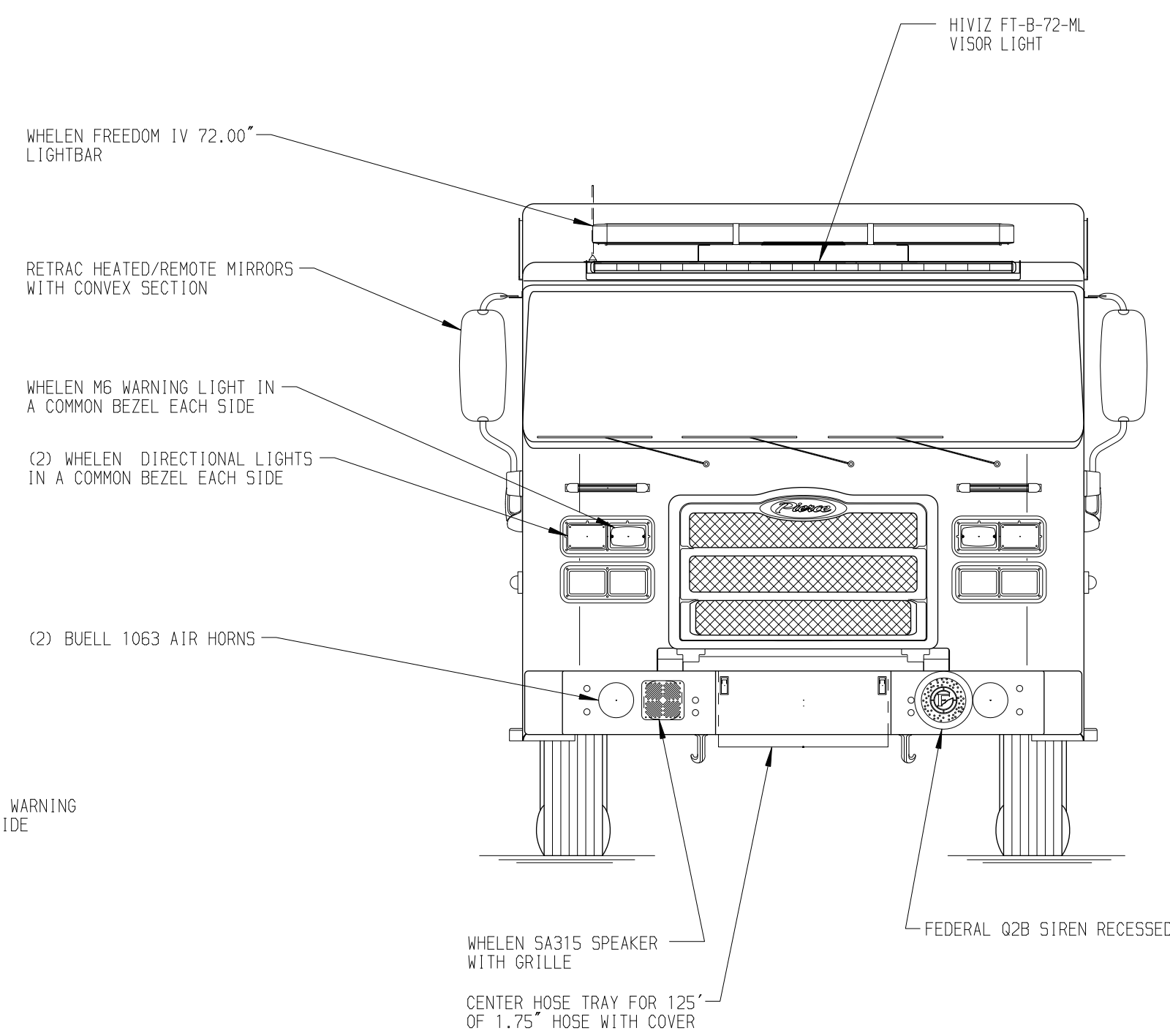
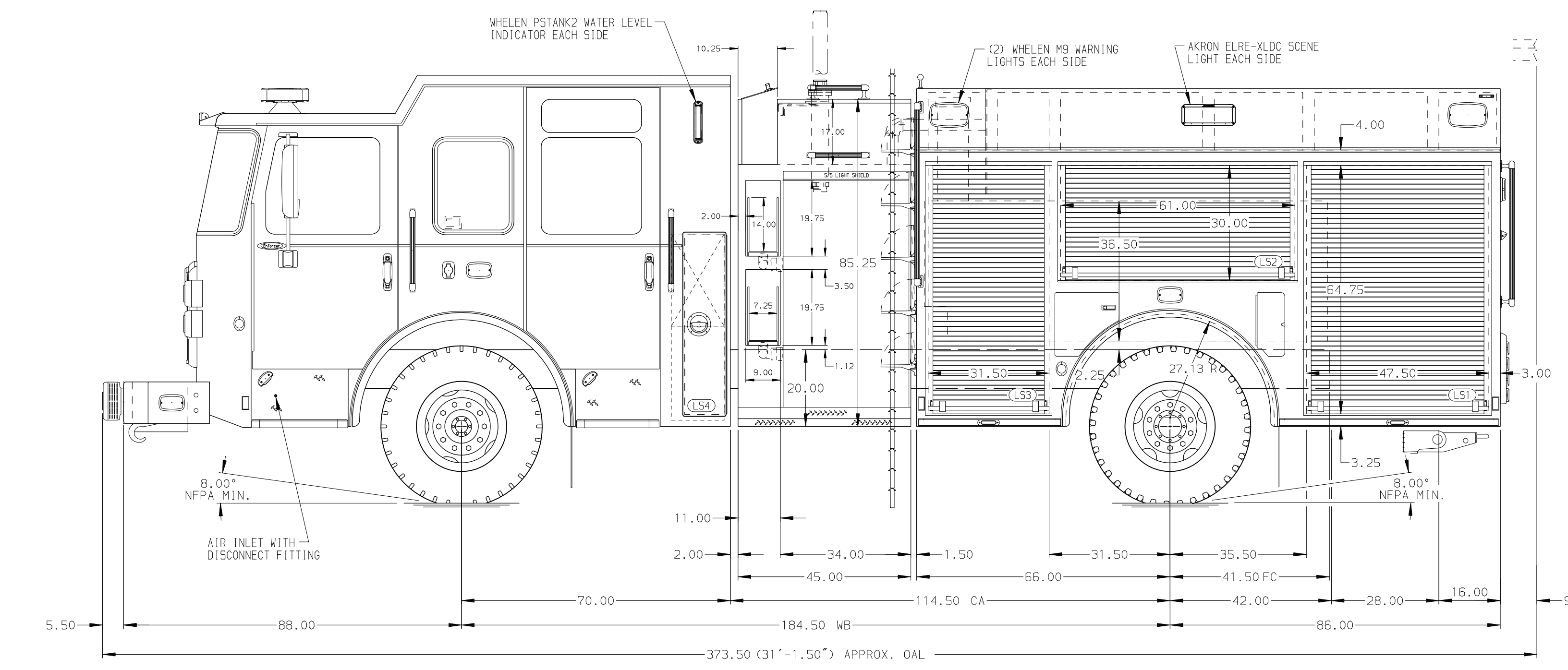
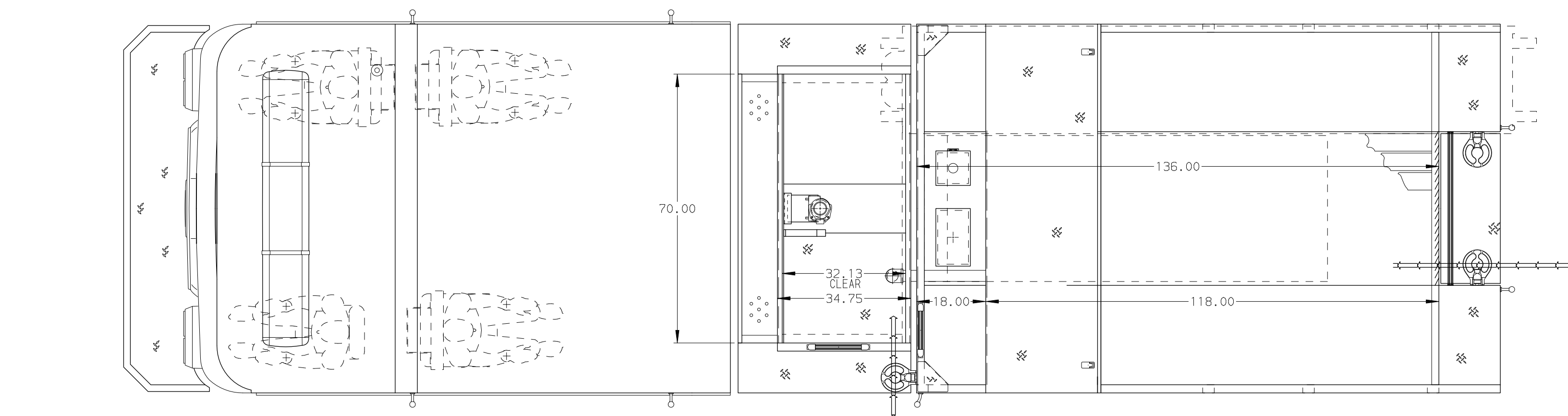
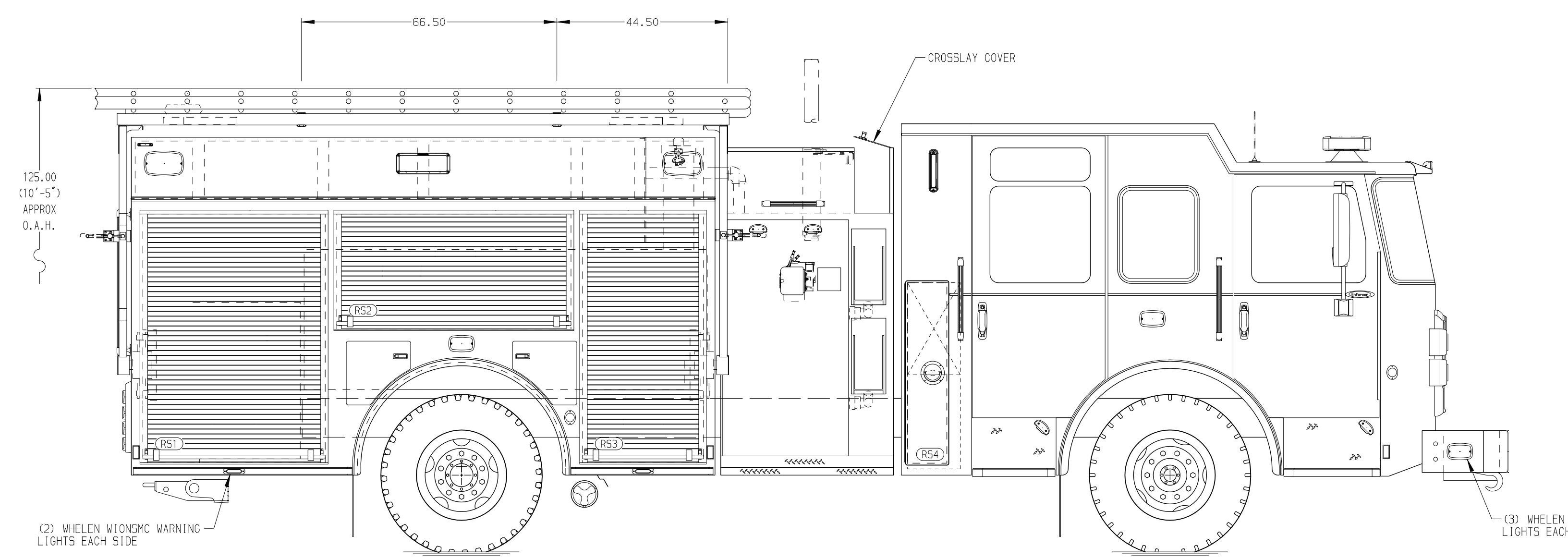
GENERATOR
Generator Not Required

FOAM SYSTEM
Foam System External

SAFETY

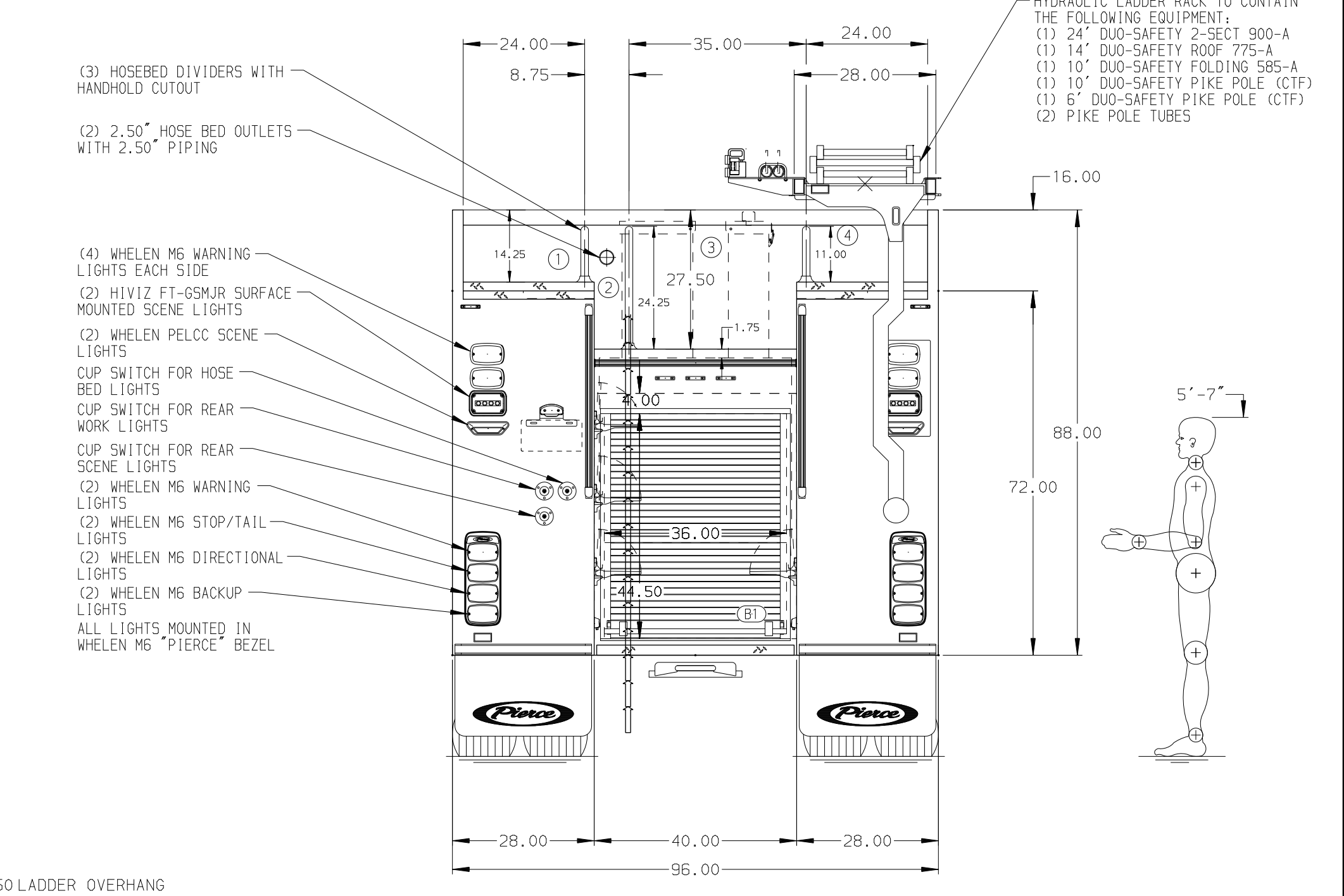
NOTE
DIMENSIONS SHOWN ARE APPROXIMATE AND ARE SUBJECT TO MINOR DEVIATIONS AS MAY OCCUR OR BE NECESSARY IN CONSTRUCTION. MINOR DETAILS NOT SHOWN.

- BATTERY CHARGER LOCATED PER ORDER
- TWO SWING-OUT TOOLBOARDS WITH PEGBOARD PATTERN LOCATED PER ORDER
- TWO PARTITION LOCATED PER ORDER
- BATTERY CHARGER INDICATOR THROUGH WINDOW
- SHORELINE RECEPTACLE WITH KUSSMAUL SUPER AUTO-EJECT LOCATED ON DRIVER SIDE OF CAB
- ONE 1.50" OUTLET WITH 2.00" PIPING AND SWIVEL LOCATED IN CENTER BUMPER TRAY



HOSEBED CAPACITY

BED 1	500' OF 3.00" D.J. POLY HOSE
BED 2	250' OF 3.00" D.J. POLY HOSE
BED 3	1000' OF 5.00" D.J. POLY HOSE
BED 4	500' OF 3.00" D.J. POLY HOSE



				Pierce MANUFACTURING INC.		JOB NO.	39066
						SCALE	DATE
						DRAWN BY	06NOV23
						CHECKED BY	07NOV23
						SHEET SIZE	SHEET NO.
						D	1 OF 1

CHASSIS DATA	TITLE	Pierce Pumper Approval Drawing
FOR	MAKE	North Shelby Fire District
MODEL	DWG NO.	39066AD
ENFORCER	NO.	

REV	DATE	BY	CH
10JUN24	BST	COS	MAKE
19MAR24	BST	AST	PIERCE
19JAN24	MMF	AST	MODEL