

**PUMPER
BODY**

Long Aluminum 2nd Gen Pumper

CHASSIS
Enforcer Chassis

**CHASSIS
AXLE, FRONT, CUSTOM**

19,500 Lb Oshkosh Tak-4 Axle

AXLE, REAR

27,000 Lb Meritor Axle

ENGINE

510 HP Paccar MX13 Engine

TRANSMISSION

Allison 5th Gen, 4000 EVS P

BUMPER

19" Extended Painted Steel

CAB

7010 Enforcer Cab

**BODY
WATER TANK**

1000 Gallon New York Style Water Tank

COMPT, PUMPER, REAR

22.50" FF RollUp Rear Compt

COMPT, PUMPER, LEFT SIDE

171" RollUp Full Height & Depth Front & Rear

COMPT, PUMPER, RIGHT SIDE

171" RollUp Full Height & Depth Front & Rear

**FIRE SUPPRESSION
PUMPHOUSE**

52" Control Zone Side Mount

PUMP

1500 GPM Waterous CSU

CROSSLAYS, 1.50"

(2) 1.50" Standard Capacity

CROSSLAYS, 2.50"

(1) 2.50" Standard Capacity

SPEEDLAYS

Speedlays Not Required

GENERATOR

Generator Not Required

Foam System

Not Required

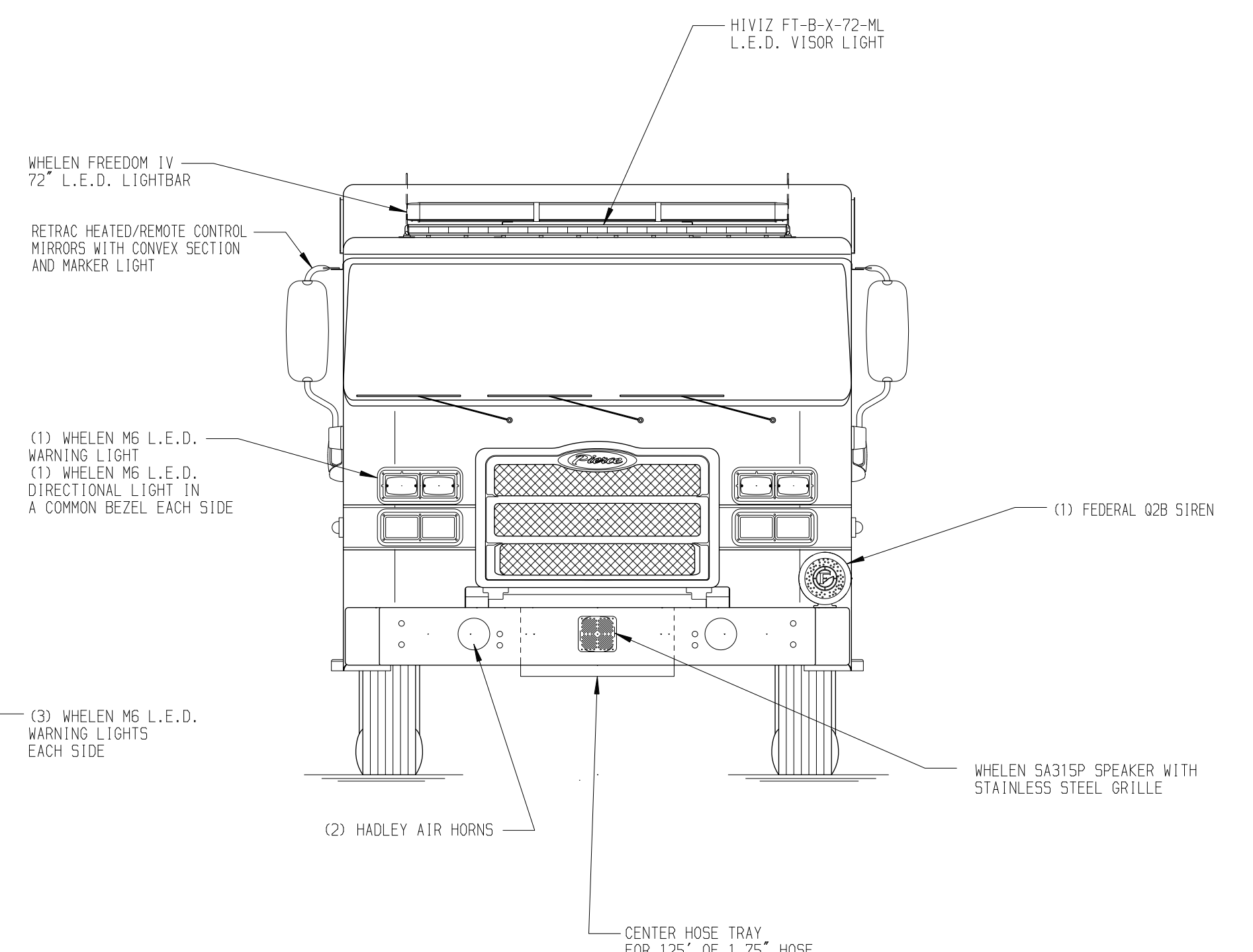
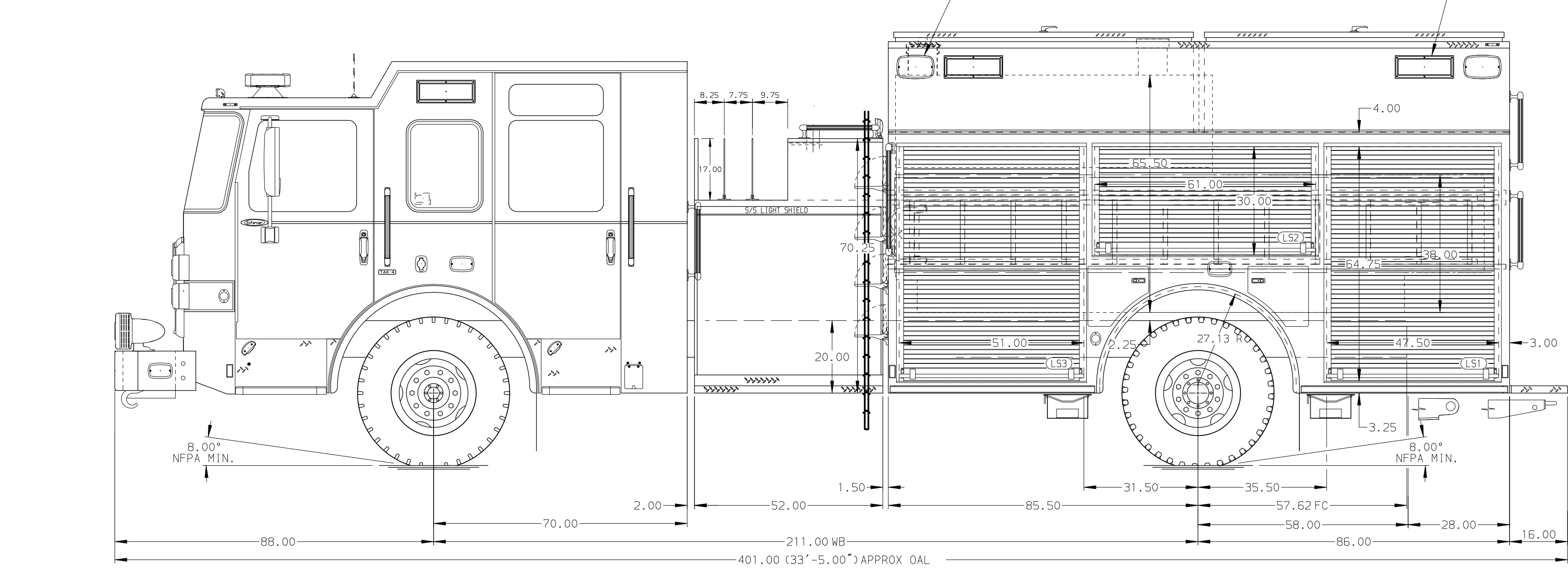
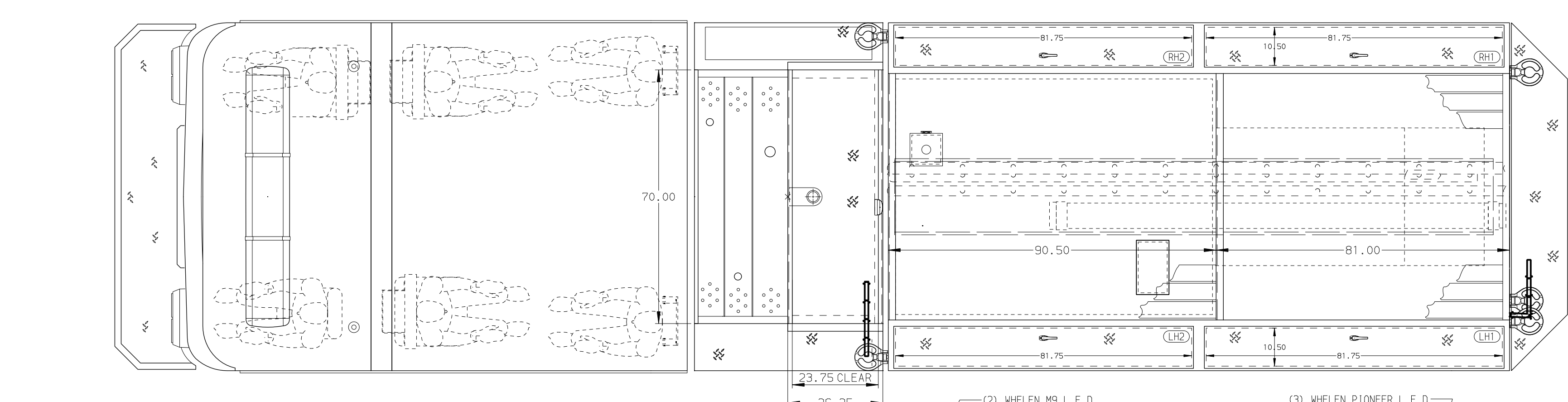
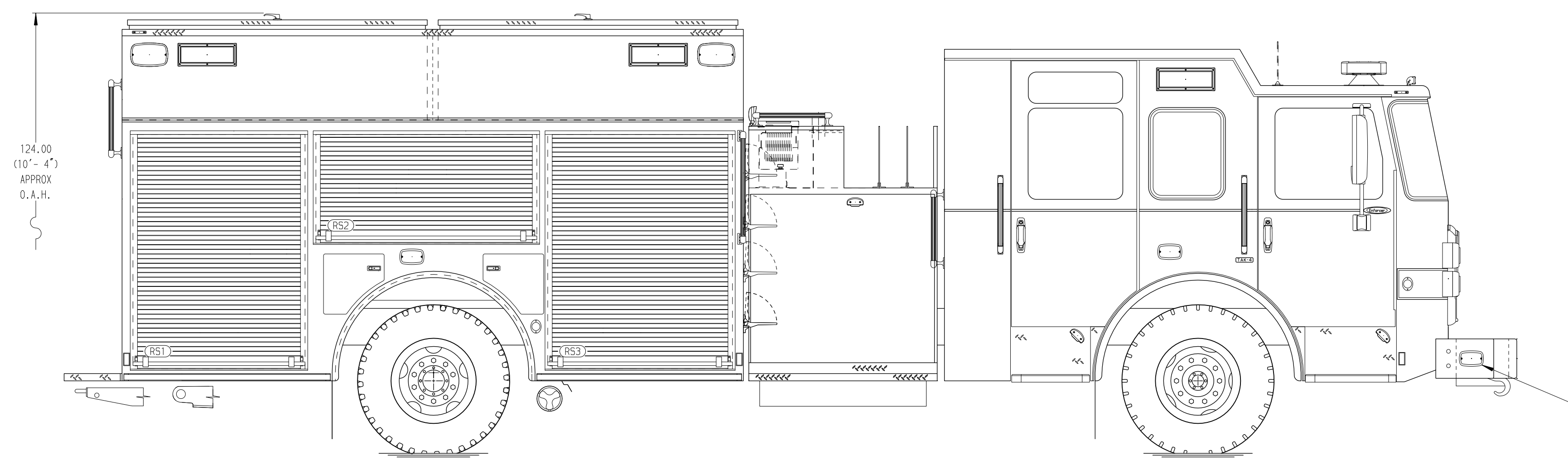
Foam Cell

20 Gallon Foam Cell, Not Reduced Water

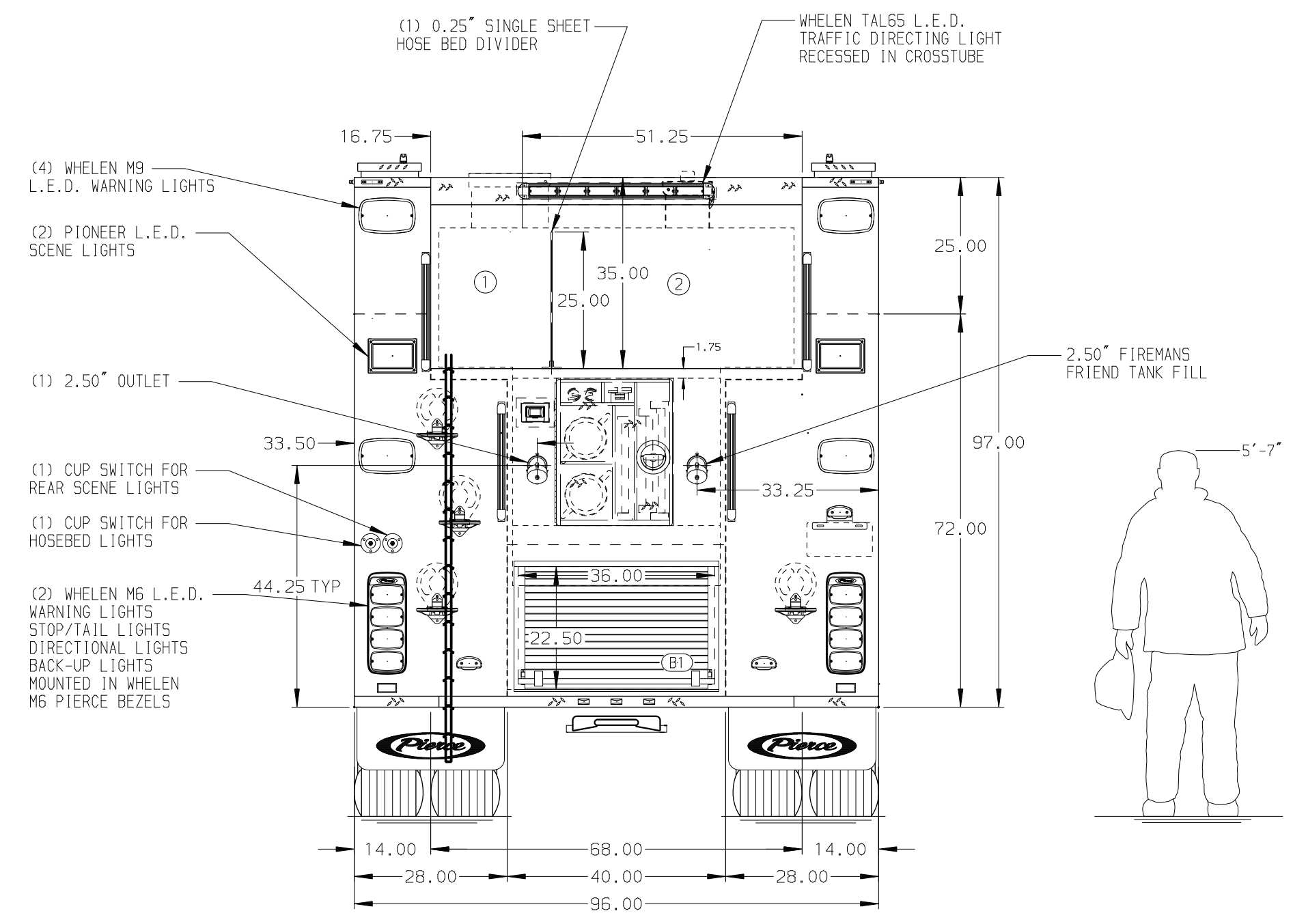
Side Roll and Frontal Impact Protection

NOTE
DIMENSIONS SHOWN ARE APPROXIMATE AND ARE SUBJECT TO MINOR DEVIATIONS AS MAY OCCUR OR BE NECESSARY IN CONSTRUCTION. MINOR DETAILS NOT SHOWN.

- ONE 1.50" OUTLET WITH 2.00" PIPING AND SWIVEL LOCATED IN CENTER BUMPER TRAY
- SHORELINE RECEPTACLE WITH KUSSMALL SUPER AUTO-EJECT LOCATED ON DRIVER SIDE OF THE CAB
- AIR INLET WITH DISCONNECT COUPLING IN THE DRIVER SIDE STEPWELL
- BATTERY CHARGER LOCATED IN COMPARTMENT PER SHOP ORDER
- BATTERY CHARGE INDICATOR LOCATED ON THE DRIVER SIDE THROUGH WINDOW
- SIX ADJUSTABLE SHELVES IN COMPARTMENTS PER SHOP ORDER
- FOUR FLOOR MOUNTED SLIDE-OUT TRAY IN COMPARTMENTS PER SHOP ORDER
- PLUMBING FOR FUTURE FOAM SYSTEM



HOSEBED CAPACITY	
BED 1	400' OF 3.00" D.J. POLY HOSE
BED 2	1000' OF 5.00" D.J. POLY HOSE



CUSTOMER APPROVAL			
APPROVED BY:			
DATE:			
REV	DATE	BY	CH

Pierce MANUFACTURING INC.		JOB NO.	39100
Pierce Pumper Approval Drawing		SCALE	1:24
Pierce Field Unit Appleton, Wisconsin		DATE	
DWG NO. 39100AD		DRAWN BY	MMF
		CHECKED BY	THS
		SHEET SIZE	SHEET NO.
			1 OF 1