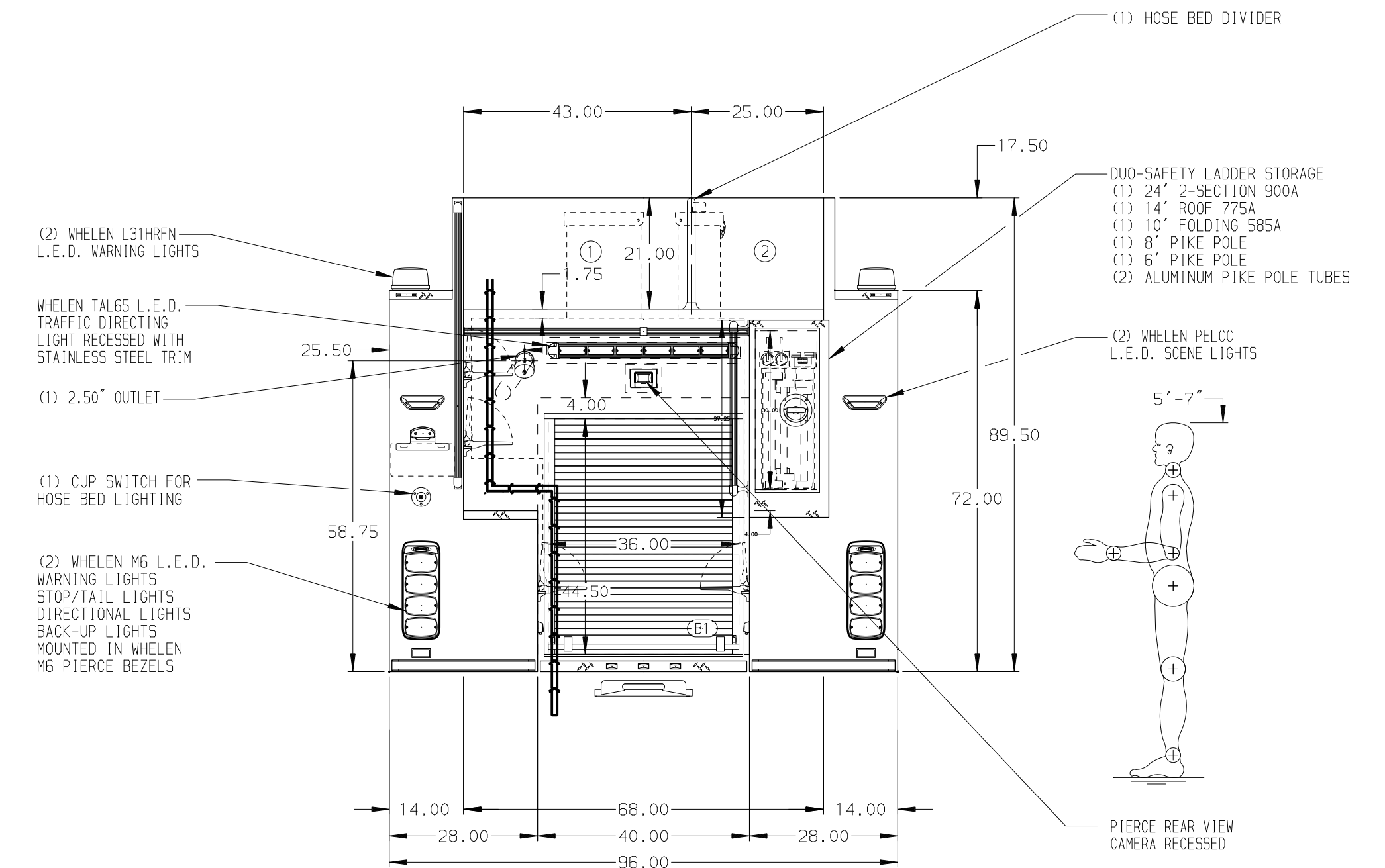
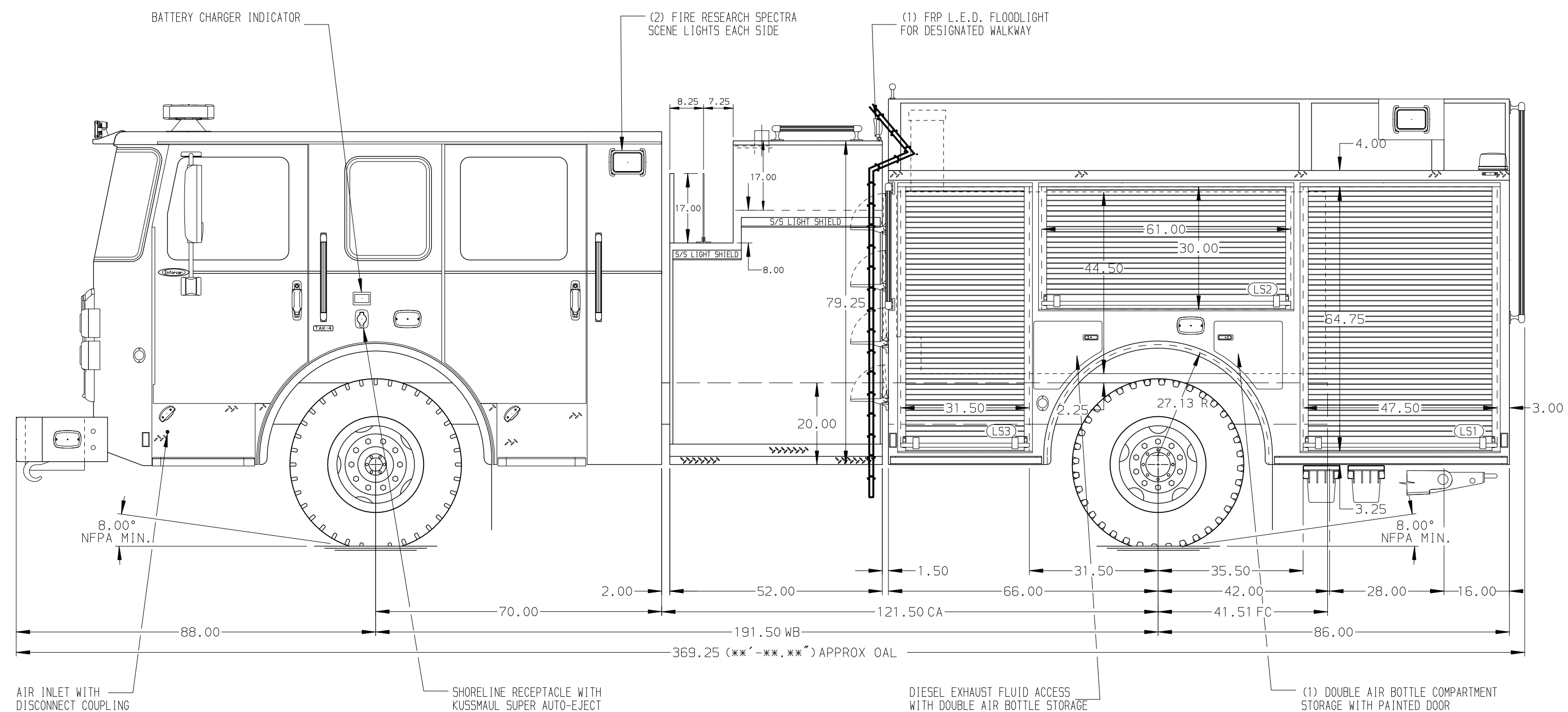


HOSEBED CAPACITIES

① 1000' OF 5.00" DJ HOSE

② 800' OF 3.00" DJ HOSE



ALUMINUM BODY

NOTE
DIMENSIONS SHOWN ARE APPROXIMATE AND ARE SUBJECT TO MINOR DEVIATIONS AS MAY OCCUR OR BE NECESSARY IN CONSTRUCTION. MINOR DETAILS NOT SHOWN.

- BATTERY CHARGER LOCATED BEHIND DRIVER SEAT
- SEVEN ADJUSTABLE SHELVES LOCATED PER ORDER
- FOUR FLOOR MOUNTED TRAYS LOCATED PER ORDER

CUSTOMER APPROVAL			
APPROVED BY:			
DATE:			
REV	DATE	BY	CH

Pierce MANUFACTURING INC.

TITLE: 1500-D-770G TANK 750 WATER /20 FOAM, 152" BODY LADDERS BTWN TANK & SS, 52" SIDE CONTROL, (2) XLYS

FOR: PIERCE STOCK UNIT APPLETON, WISCONSIN

DWG NO.: 39133AD

JOB NO.	39133
SCALE	1:24
DATE	
DRAWN BY	MMF
CHECKED BY	THS
SHEET NO.	1 OF 1