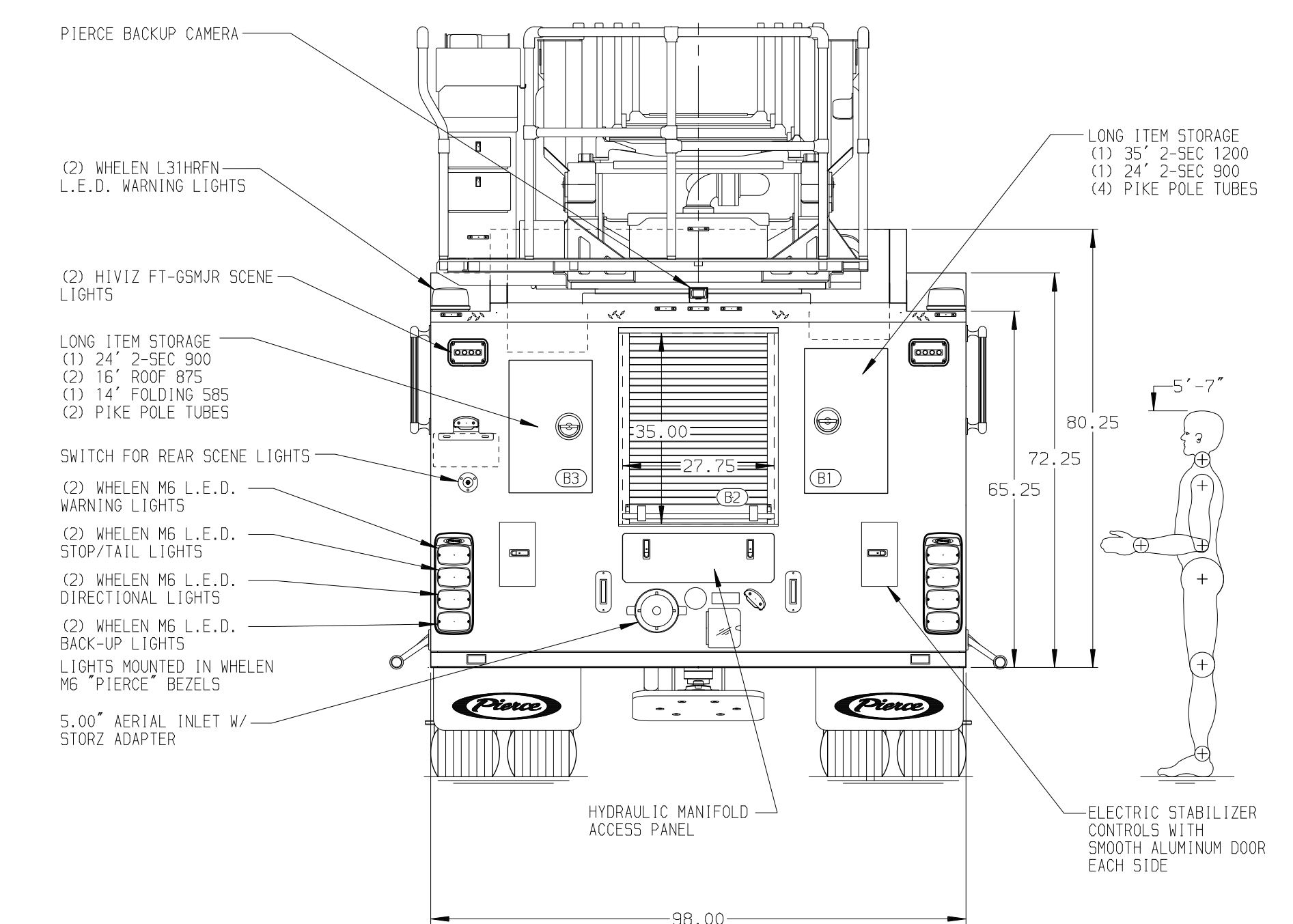
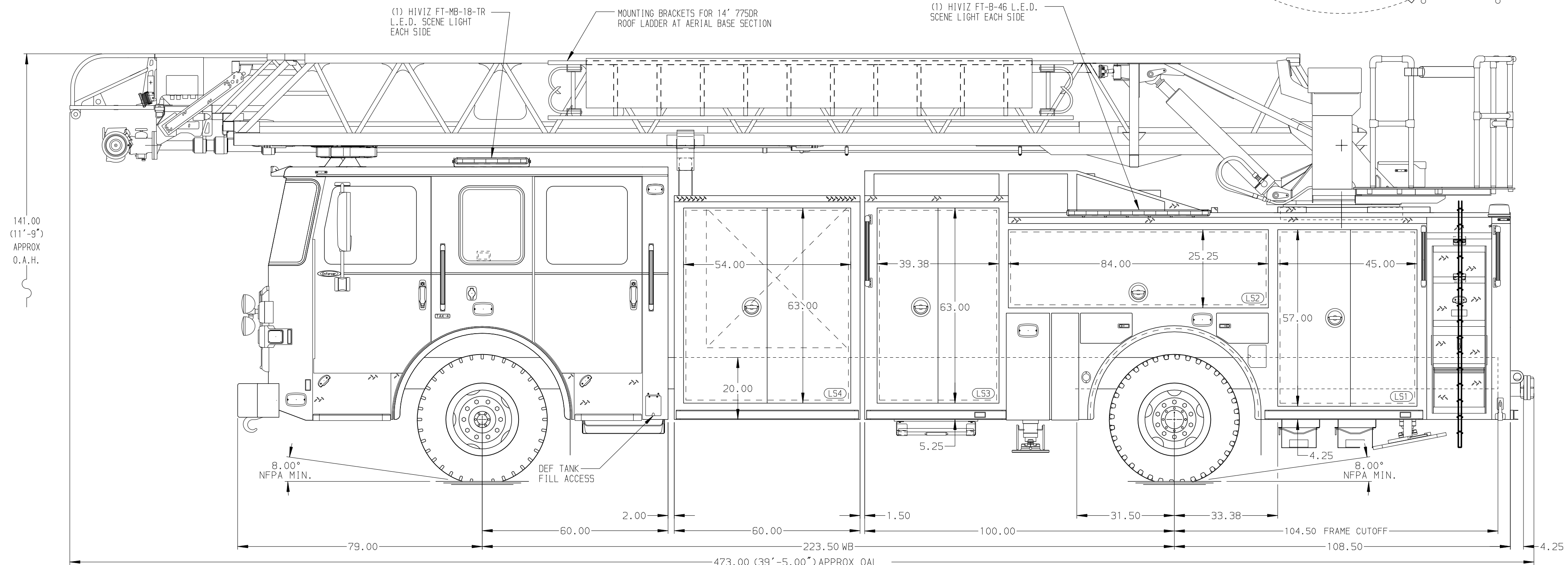


<p>BODY</p> <p>107' ASL Aluminum Body</p> <p>COMPT, LEFT SIDE FRONT Full Height Lap Forward</p> <p>COMPT, LEFT SIDE REAR Full Height Lap Rearward</p> <p>COMPT, RIGHT SIDE FRONT Full Height Lap Forward</p> <p>COMPT, RIGHT SIDE REAR Full Height Lap Rearward</p>	<p>WATER TANK</p> <p>Water Tank Not Required</p> <p>Foam System</p> <p>Foam System Not Required</p> <p>Foam Cell</p> <p>Foam Cell Not Required</p>
--	---



<p>CHASSIS</p> <p>Enforcer Chassis</p> <p>ENGINE</p> <p>510 HP Paccor MX13 Engine</p>	<p>CAB</p> <p>6000 Enforcer Cab</p> <p>BUMPER</p> <p>10" Extended Painted Steel</p>	<p>AXLE, FRONT, CUSTOM</p> <p>19,500 Lb TAK-4 Axle</p> <p>AXLE, REAR</p> <p>33,500 Lb Meritor Axle</p>	<p>TRANSMISSION</p> <p>Allison 6th Gen, 4000 EVS P</p> <p>GENERATOR</p> <p>Generator Not Required</p>	<p>COMPARTMENT-NO PUMP</p> <p>60" Wide w/Double Doors</p>	-	-
---	---	--	---	--	---	---

<p>NOTE</p> <p>DIMENSIONS SHOWN ARE APPROXIMATE AND ARE SUBJECT TO MINOR DEVIATIONS AS MAY OCCUR OR BE NECESSARY IN CONSTRUCTION. MINOR DETAILS NOT SHOWN.</p>	<p>1. NO LIMITED RETRACTION REQUIRED</p> <p>2. RUNG LIGHTING ON AERIAL LADDER</p> <p>3. SHORELINE RECEPTACLE WITH KISSMUL AUTO-EJECT LOCATED ON DRIVER SIDE OF CAB</p> <p>4. AIR INLET WITH DISCONNECT COUPLING IN THE DRIVER SIDE STEPMILL</p> <p>5. BATTERY CHARGER LOCATED IN CAB BEHIND DRIVER SEAT</p> <p>6. BATTERY CHARGE INDICATOR DISPLAYED THROUGH WINDOW BEHIND DRIVERS SEAT</p> <p>7. SIX ADJUSTABLE SHELVES LOCATED IN COMPARTMENTS PER ORDER</p> <p>8. ONE ALUMINUM SLIDE-OUT TOOLBOARD LOCATED IN COMPARTMENT PER ORDER</p> <p>9. DRI-DECK MATTING ON COMPARTMENT SHELVES & FLOORS PER ORDER</p> <p>10. TWO RECEPTACLE STRIPS LOCATED PER ORDER</p>	<p>11. 1500 GPM HIGH FLOW WATERWAY</p> <p>12. LIFTING EYE ROPE RESCUE ATTACHMENT AT AERIAL TIP</p> <p>13. NON-RAISED AERIAL PEDESTAL</p>
---	--	--

Pierce MANUFACTURING INC.

JOB NO. 39148-01-04

SCALE 1:24 DATE

TITLE 107' ASCENDANT AERIAL LADDER AND BODY ASSEMBLY

FOR OMAHA FIRE DEPARTMENT OMAHA, NE

DWG NO. 39148AD

CHECKED BY KBO DATE 04ARP23

SHEET SIZE D SHEET NO. 1 OF 1

REV	DATE	BY	CH	ENFORCER
05JAN24	LWE	KBO	MAKE	
17JULY23	LWE	KBO	PIERCE	
24MAY23	ANZ	KBO	MODEL	