

### PUMPER BODY

Long Aluminum 2nd Gen Pumper

### CHASSIS

Sober FR Chassis

### CHASSIS AXLE, FRONT, CUSTOM

18,000 Lb TAK-4

### AXLE, REAR

27,000 Lb Dana Axle

### ENGINE

450 HP Cummins L9 Engine

### TRANSMISSION

Allison 5th Gen, 3000 EVS P

### BUMPER

19" Extended Steel Pointed

### CAB

7010 Sober FR Cab

### BODY WATER TANK

1000 Gallon New York Style Water Tank

### COMPT, PUMPER, REAR

23.50" FF RollUp Rear Compt

### COMPT, PUMPER, LEFT SIDE

171" RollUp Full Height & Depth Front & Rear

### COMPT, PUMPER, RIGHT SIDE

171" RollUp Full Height & Depth Front & Rear

### FIRE SUPPRESSION PUMPHOUSE

45" Control Zone Side Mount

### PUMP

1500 GPM Waterous CSU

### CROSSLAYS, 1.50"

(2) 1.50" Standard Capacity

### CROSSLAYS, 2.50"

2.50" Crosslay Not Required

### SPEEDLAYS

Speedlays Not Required

### GENERATOR

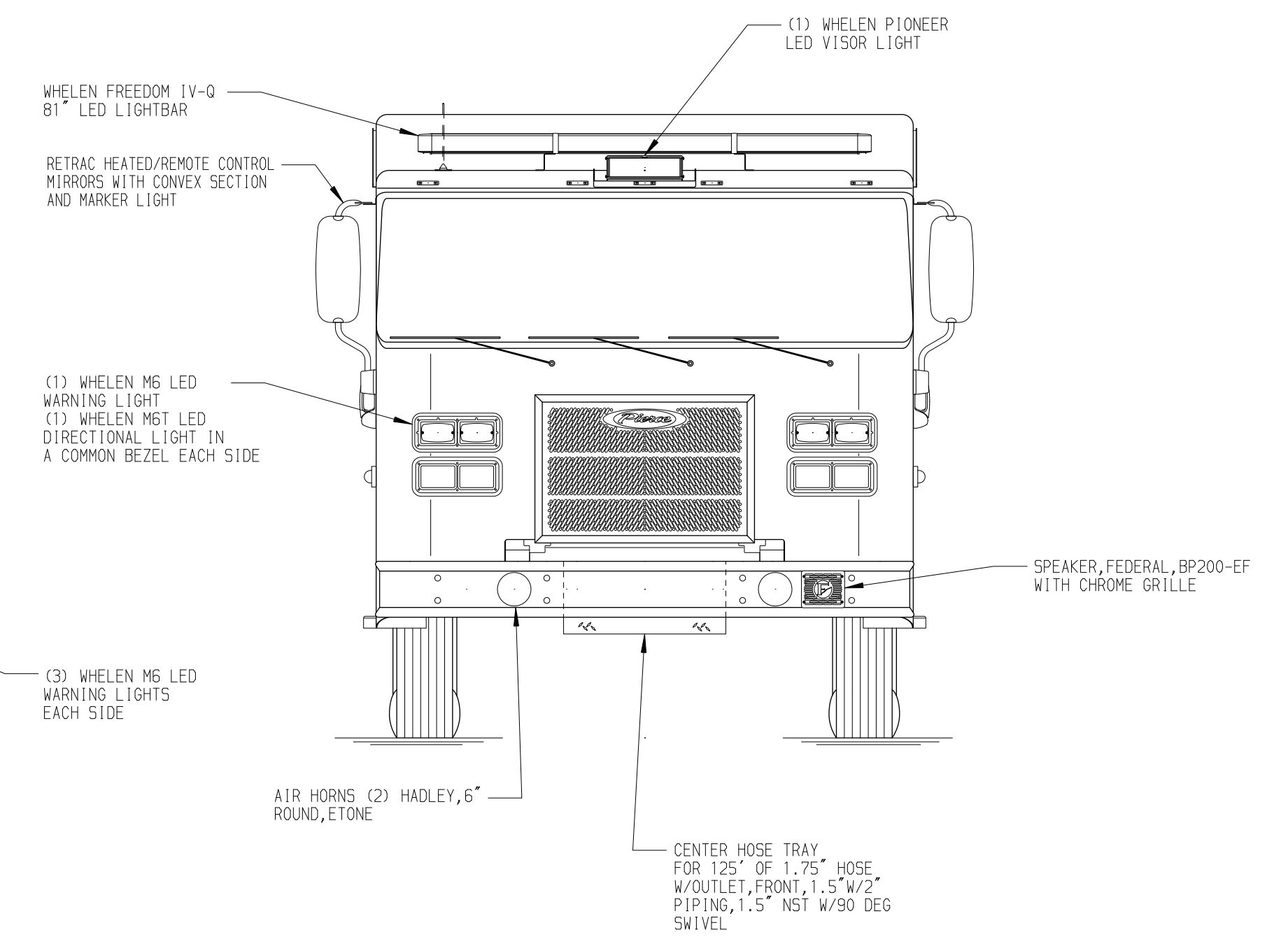
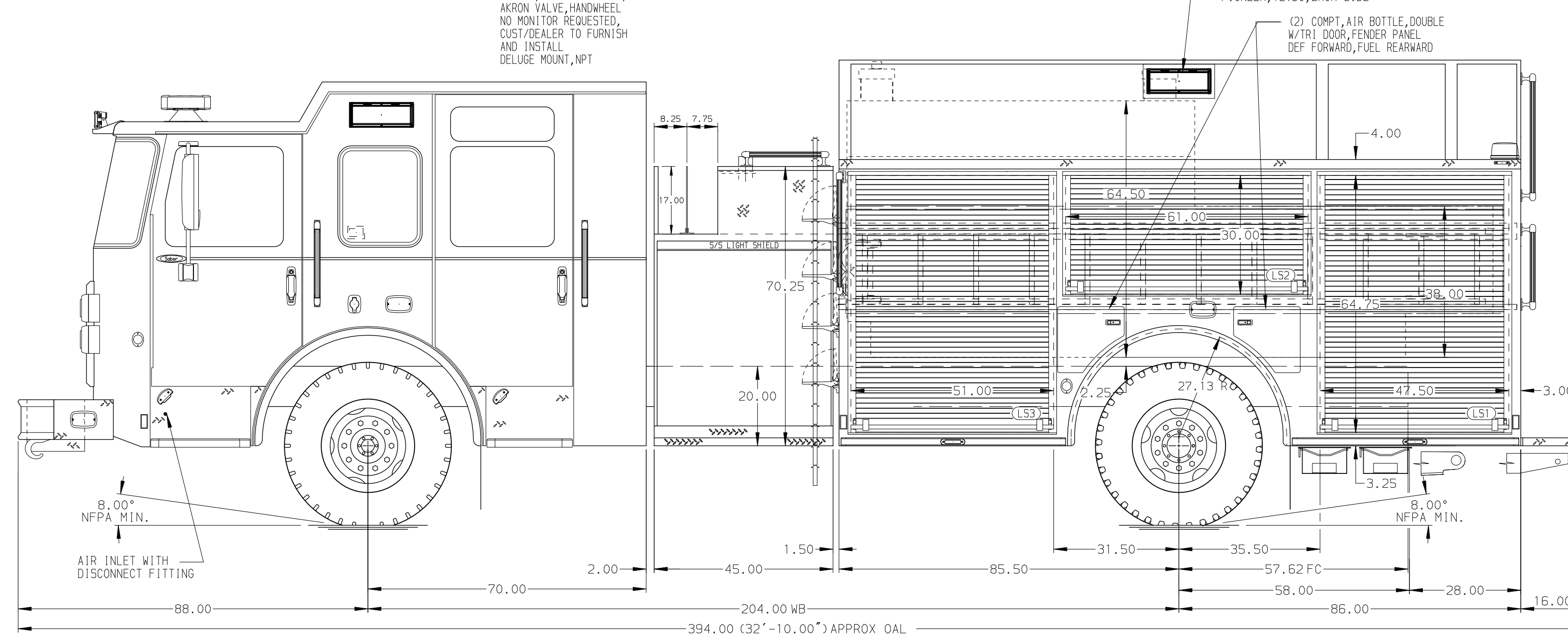
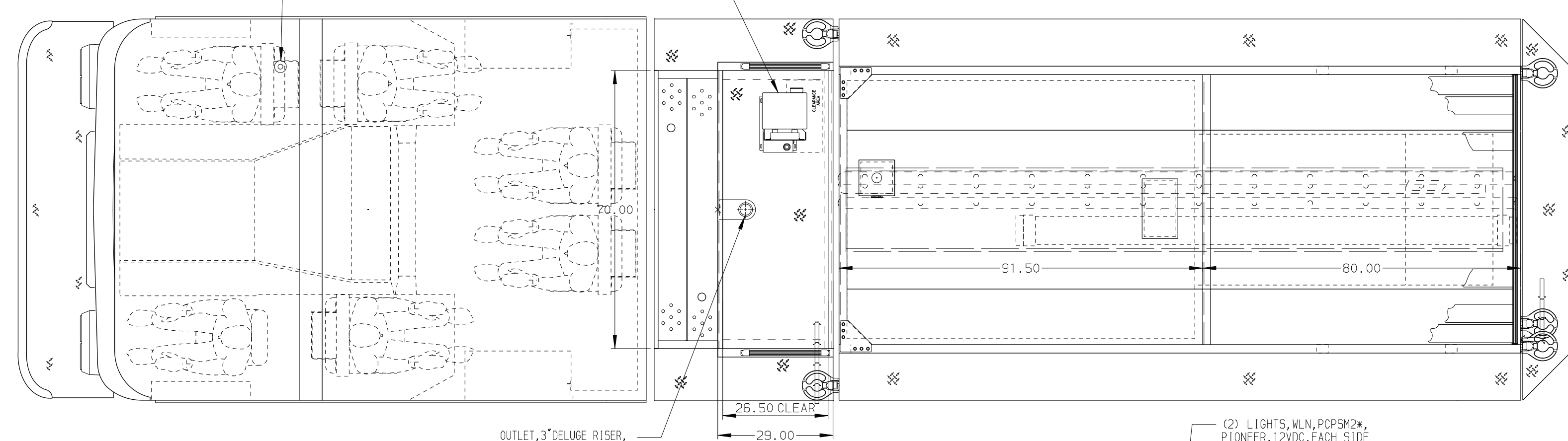
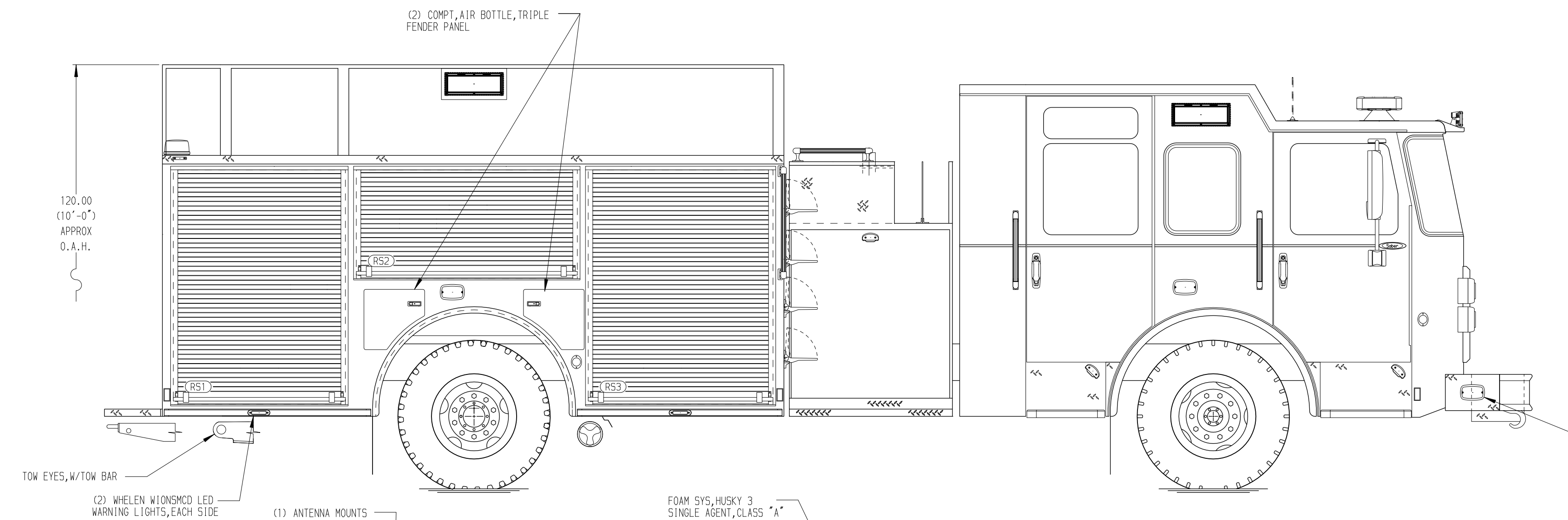
Generator Not Required

### Foam System

Husky 3 Single Agent Foam System

### Foam Cell

20 Gallon Foam Cell, Not Reduced Water



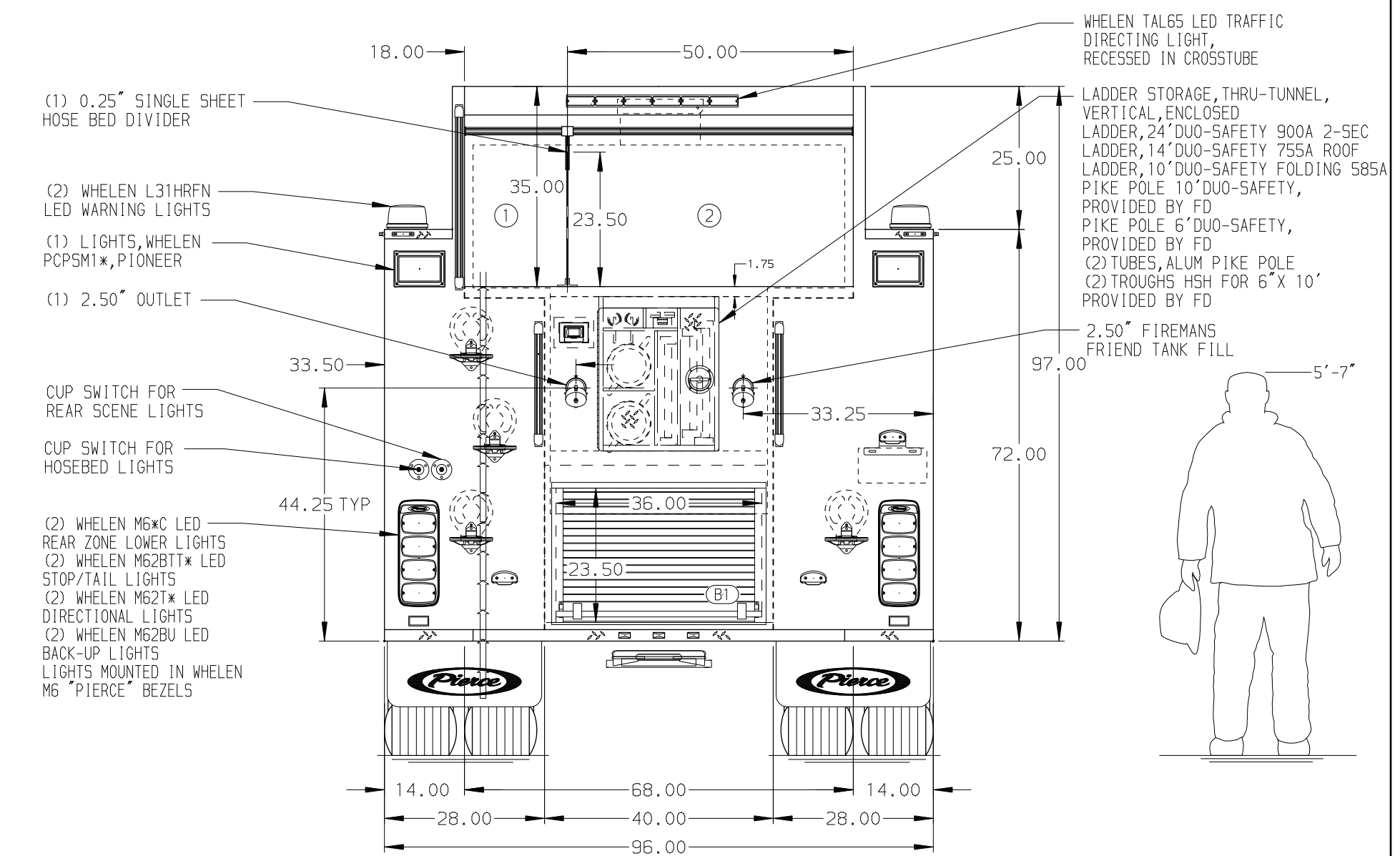
### HOSEBED CAPACITY

#### BED 1

400' OF 3.00" D.J. POLY HOSE

#### BED 2

1000' OF 5.00" D.J. POLY HOSE



**NOTE**  
DIMENSIONS SHOWN ARE APPROXIMATE AND ARE SUBJECT TO MINOR DEVIATIONS AS MAY OCCUR OR BE NECESSARY IN CONSTRUCTION. MINOR DETAILS NOT SHOWN.

- ONE 1.50" OUTLET WITH 2.00" PIPING AND SWIVEL LOCATED IN CENTER BUMPER TRAY
- SHOULDER RECEPTACLE WITH KUSSMAUL SUPER-AUTO-EJECT LOCATED ON DRIVER SIDE OF THE CAB
- AIR INLET WITH DISCONNECT COUPLING IN THE DRIVER SIDE STEPWELL
- BATTERY CHARGER LOCATED IN COMPARTMENT PER SHOP ORDER
- BATTERY CHARGE INDICATOR LOCATED ON THE DRIVER SIDE THROUGH WINDOW
- SIX ADJUSTABLE SHELVES IN COMPARTMENTS PER SHOP ORDER
- PLUMBING FOR FUTURE HUSKY FOAM SYSTEM

REV	DATE	BY	CH	SABER FR
22DEC22	RHU	JAP		

		JOB NO.	39210
<b>PIERCE MANUFACTURING INC.</b>		SCALE	DATE
TITLE Pierce Pumper Approval Drawing		DRAWN BY	JLA 120CT22
MAKE PIERCE		CHECKED BY	JAP 120CT22
MODEL SABER FR		SHEET SIZE	SHEET NO.
FOR Pierce Field Unit Bradenton, Florida		DWG NO.	39210AD
			D 1 OF 1