

PUMPER BODY

Long Aluminum 2nd Gen Pumper

CHASSIS

Sober FR Chassis

CHASSIS AXLE, FRONT, CUSTOM

18,000 Lb Meritor Axle

AXLE, REAR

24,000 Lb Dana Axle

ENGINE

450 HP Cummins L9 Engine

TRANSMISSION

Allison 6th Gen, 3000 EVS P

BUMPER

19" Extended Painted Steel

CAB

7010 Sober FR Cab

BODY

WATER TANK

730 Gallon Poly Water Tank

COMPT, PUMPER, REAR

37.75" FF RollUp Rear Compt

COMPT, PUMPER, LEFT SIDE

161" RollUp Full Height & Depth Front & Rear

COMPT, PUMPER, RIGHT SIDE

161" RollUp Full Height Front & Rear FDLER

FIRE SUPPRESSION PUMPHOUSE

52" Control Zone Side Mount

PUMP

1500 GPM Hale QMAX

CROSSLAYS, 1.50"

(2) 1.50" Standard Capacity

CROSSLAYS, 2.50"

(1) 2.50" Standard Capacity

SPEEDLAYS

Speedlays Not Required

GENERATOR

Generator Not Required

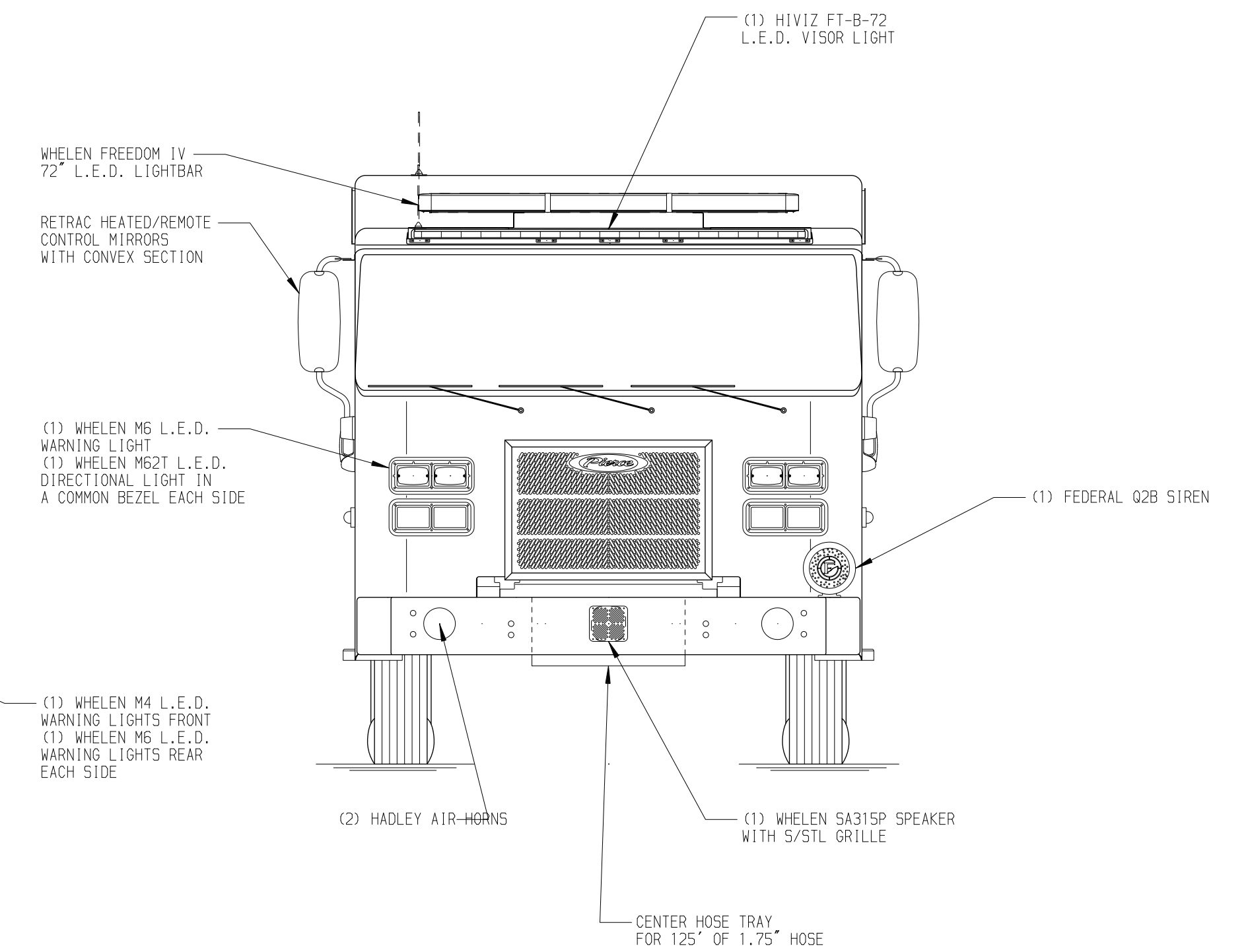
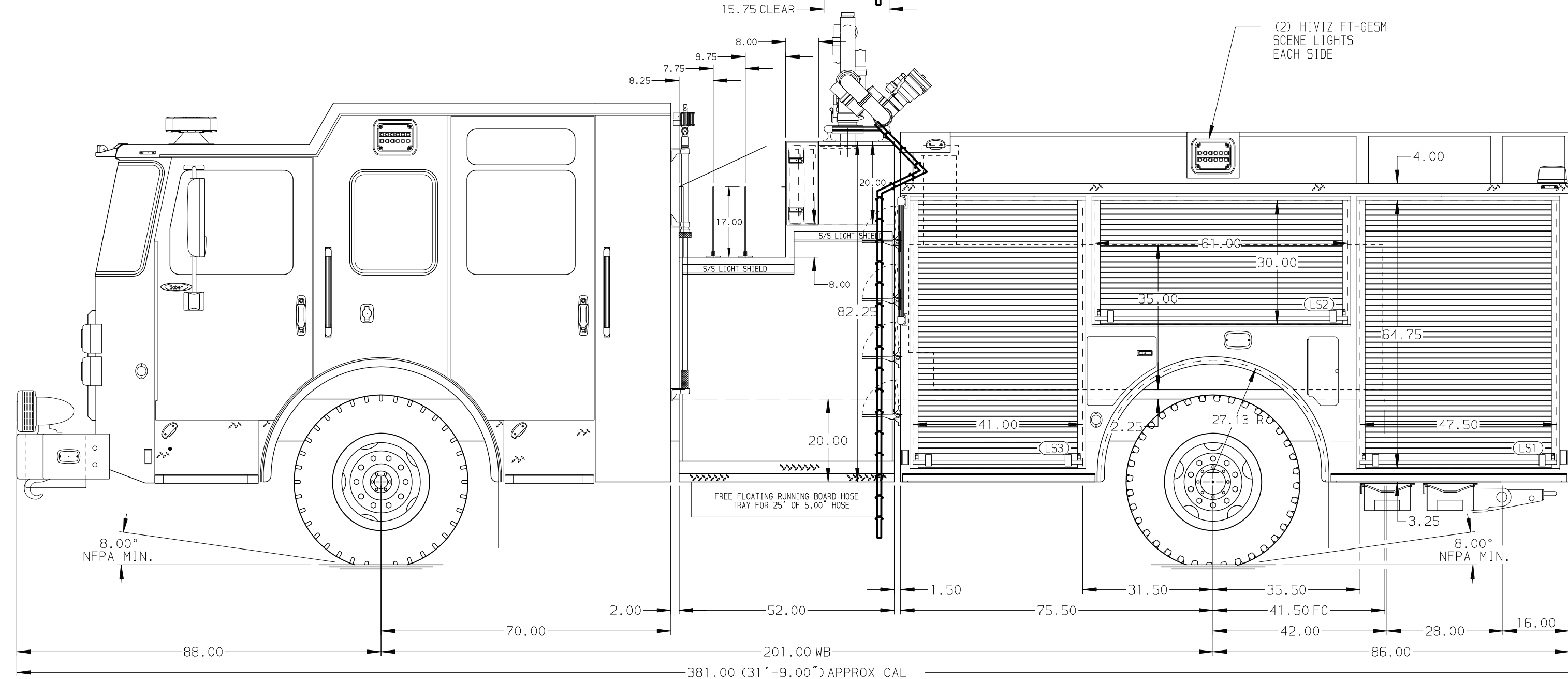
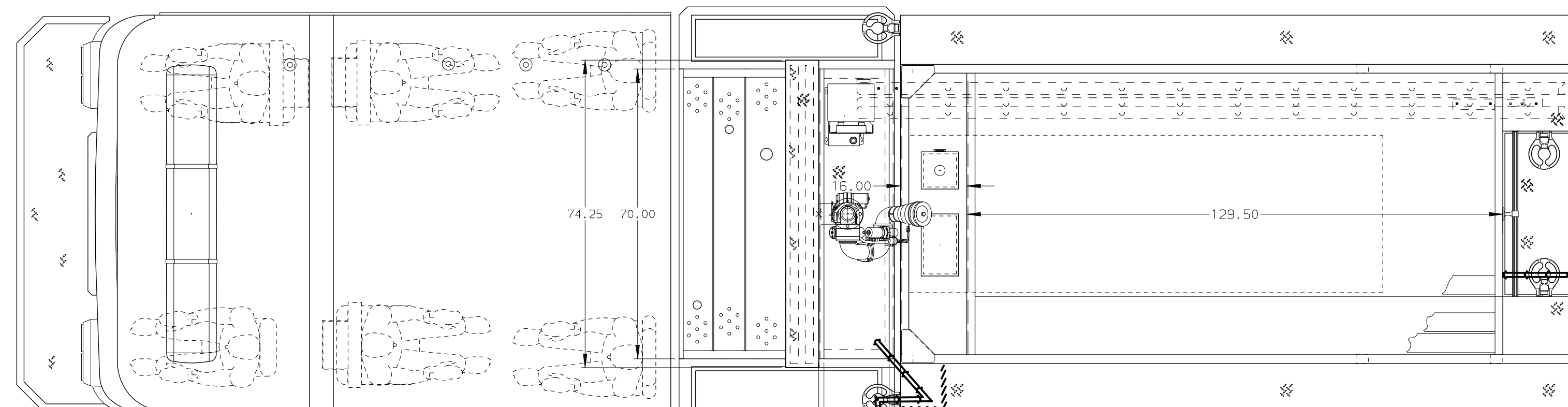
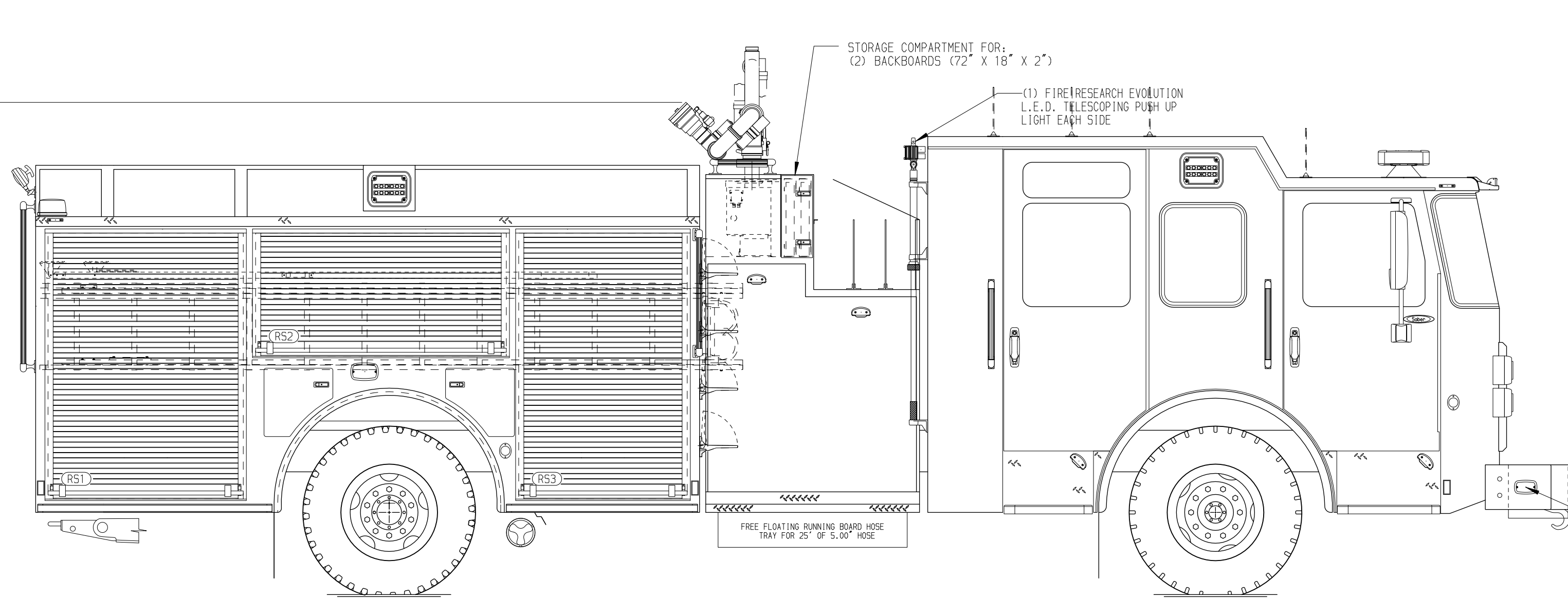
Foam System

Husky 3 Single Agent Foam System

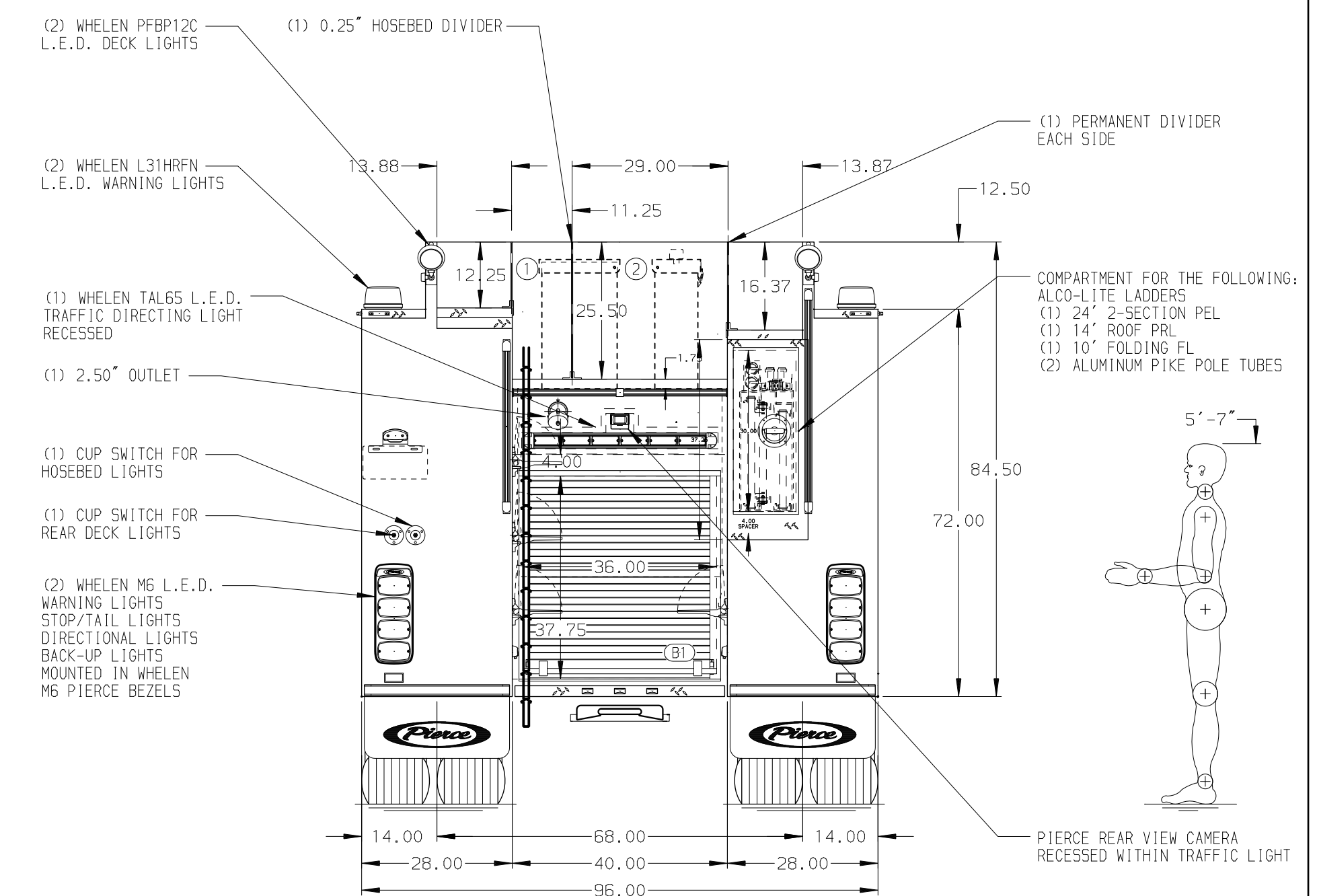
Foam Cell

30 Gallon Foam Cell, Not Reduced Water

125.50
(10'-5")
APPROX
O.A.H.



HOSEBED CAPACITY	
BED 1	500' OF 3.00" D.J. POLY HOSE
BED 2	1000' OF 5.00" D.J. POLY HOSE



NOTE
DIMENSIONS SHOWN ARE APPROXIMATE
AND ARE SUBJECT TO MINOR DEVIATIONS
AS MAY OCCUR OR BE NECESSARY IN
CONSTRUCTION.
MINOR DETAILS NOT SHOWN.

CUSTOMER APPROVAL

APPROVED BY: _____
DATE: _____

REV	DATE	BY	CH	SABER FR



TITLE	FOR	DWG NO.
Pierce Pumper Approval Drawing	Reedy Creek Improvement District	39225AD

JOB NO.	39225
SCALE	1:24
DATE	
DRAWN BY	MMF
CHECKED BY	COL
SHEET SIZE	D
SHEET NO.	1 OF 1