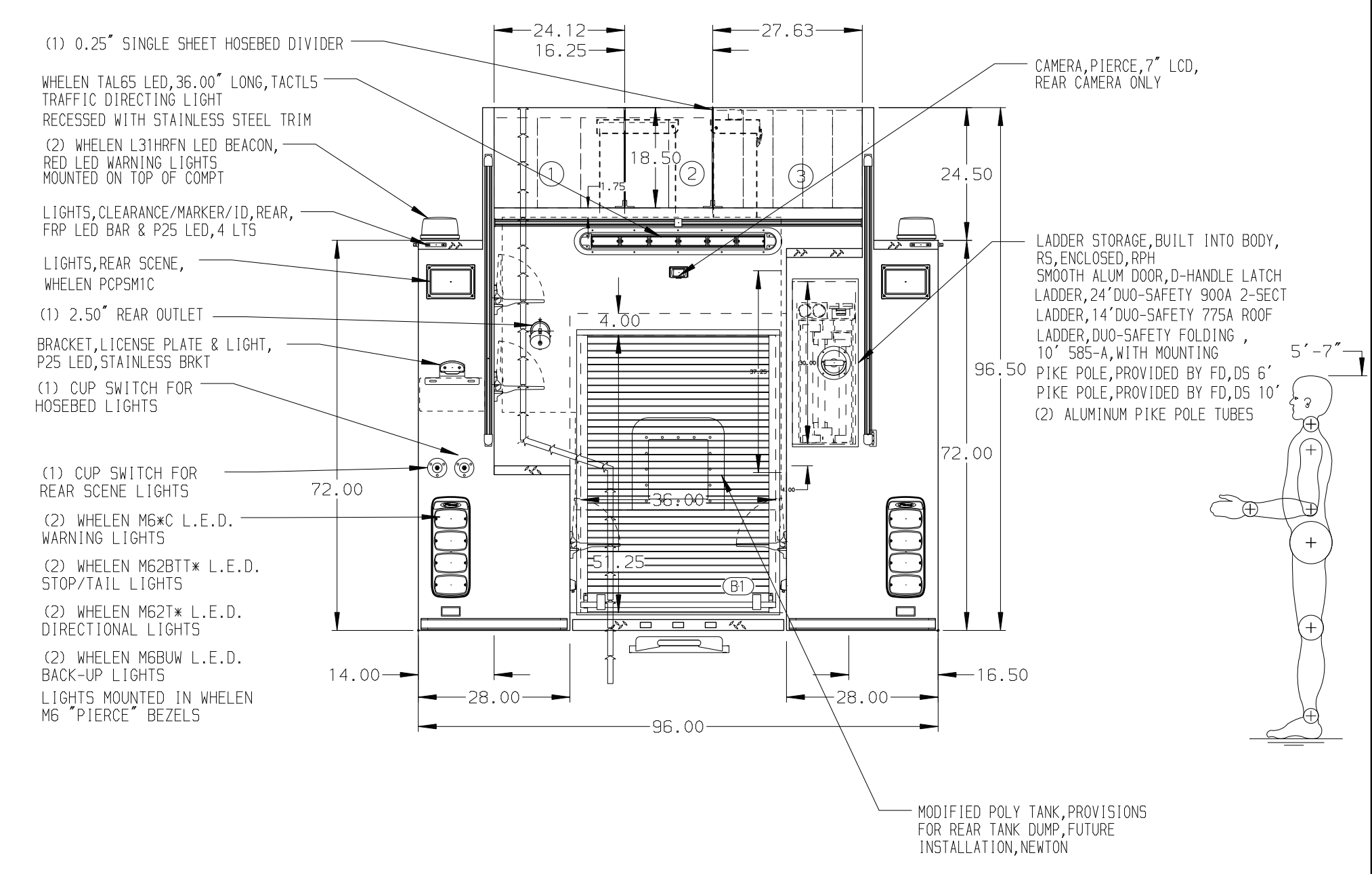
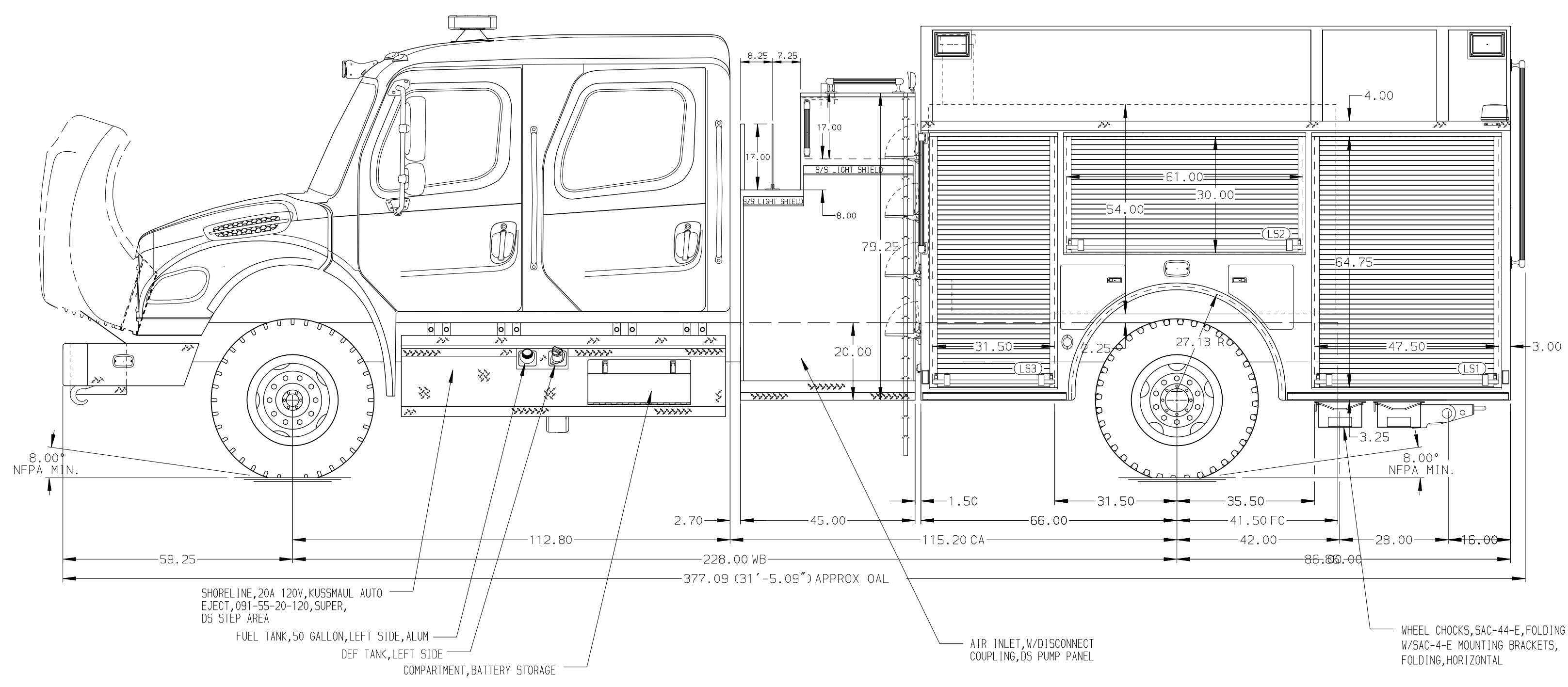


- HOSEBED CAPACITIES
- ① 500' OF 5.00" D.J. POLYESTER HOSE
  - ② 500' OF 5.00" D.J. POLYESTER HOSE
  - ③ 1000' OF 3.00" D.J. POLYESTER HOSE



**NOTE**  
DIMENSIONS SHOWN ARE APPROXIMATE AND ARE SUBJECT TO MINOR DEVIATIONS AS MAY OCCUR OR BE NECESSARY IN CONSTRUCTION. MINOR DETAILS NOT SHOWN.

REV	DATE	BY	CH	MODEL
13JUN24	WHO	CAG	CHASSIS DATA	
26JAN24	WHO	JAP	MAKE	
09NOV23	RWR	JAP	FL	
21SEP23	RWR	AJA	M2-106 PLUS	

		JOB NO.	39287
		SCALE	DATE
TITLE	1500-D-980 POLY, 20 FOAM, 152", DS&PS FULL HGT FDLER 45" SIDE CONTROL, (2) 1.5" CROSSLAYS	DRAWN BY	RWR
FOR	AMITY FIRE DISTRICT AMITY, OREGON	CHECKED BY	RWI
DWG NO.	39287AD	SHEET SIZE	D
		SHEET NO.	1 OF 1