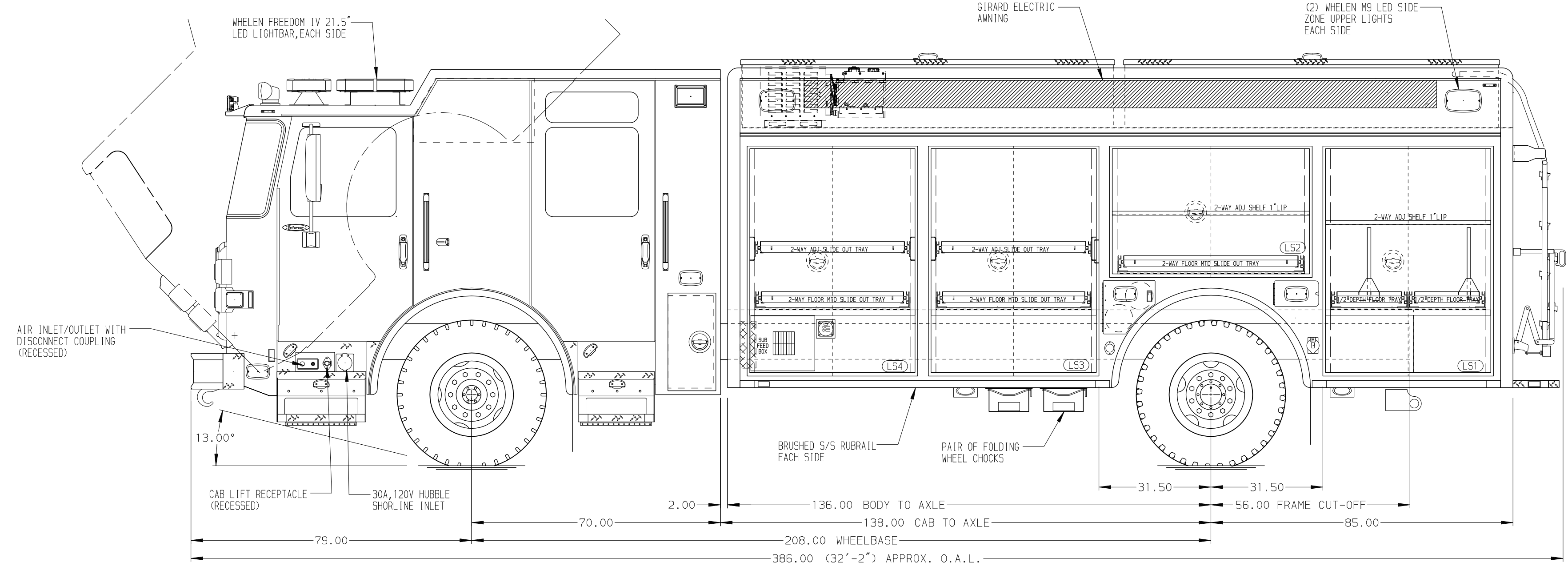
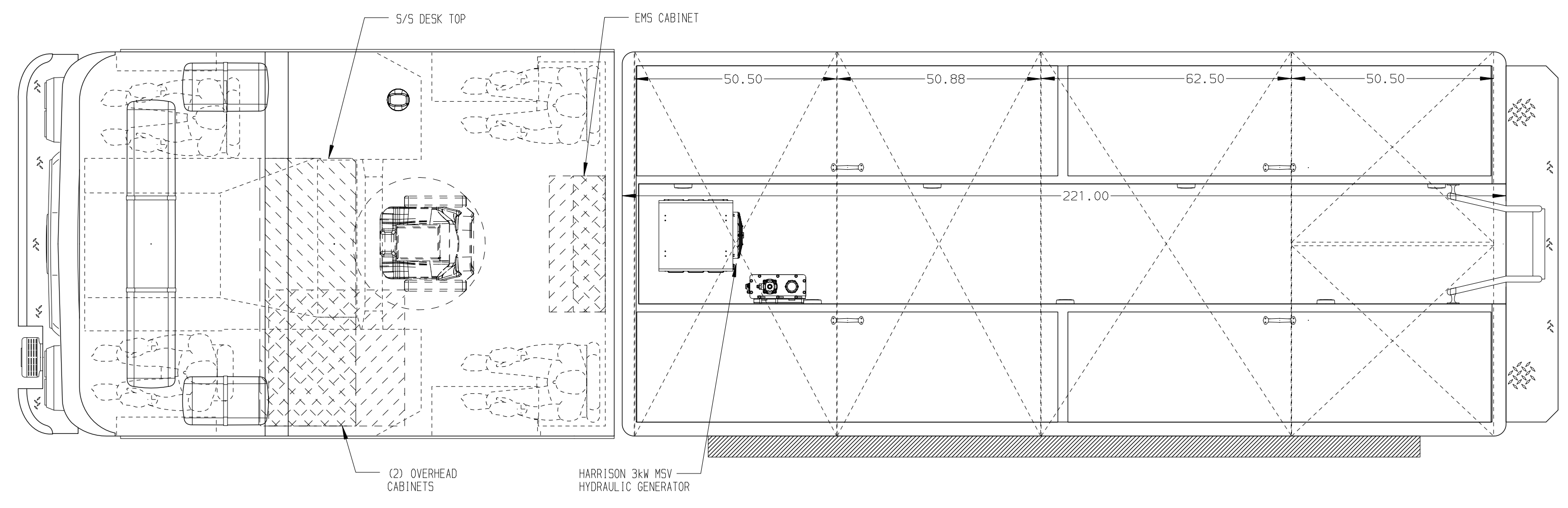
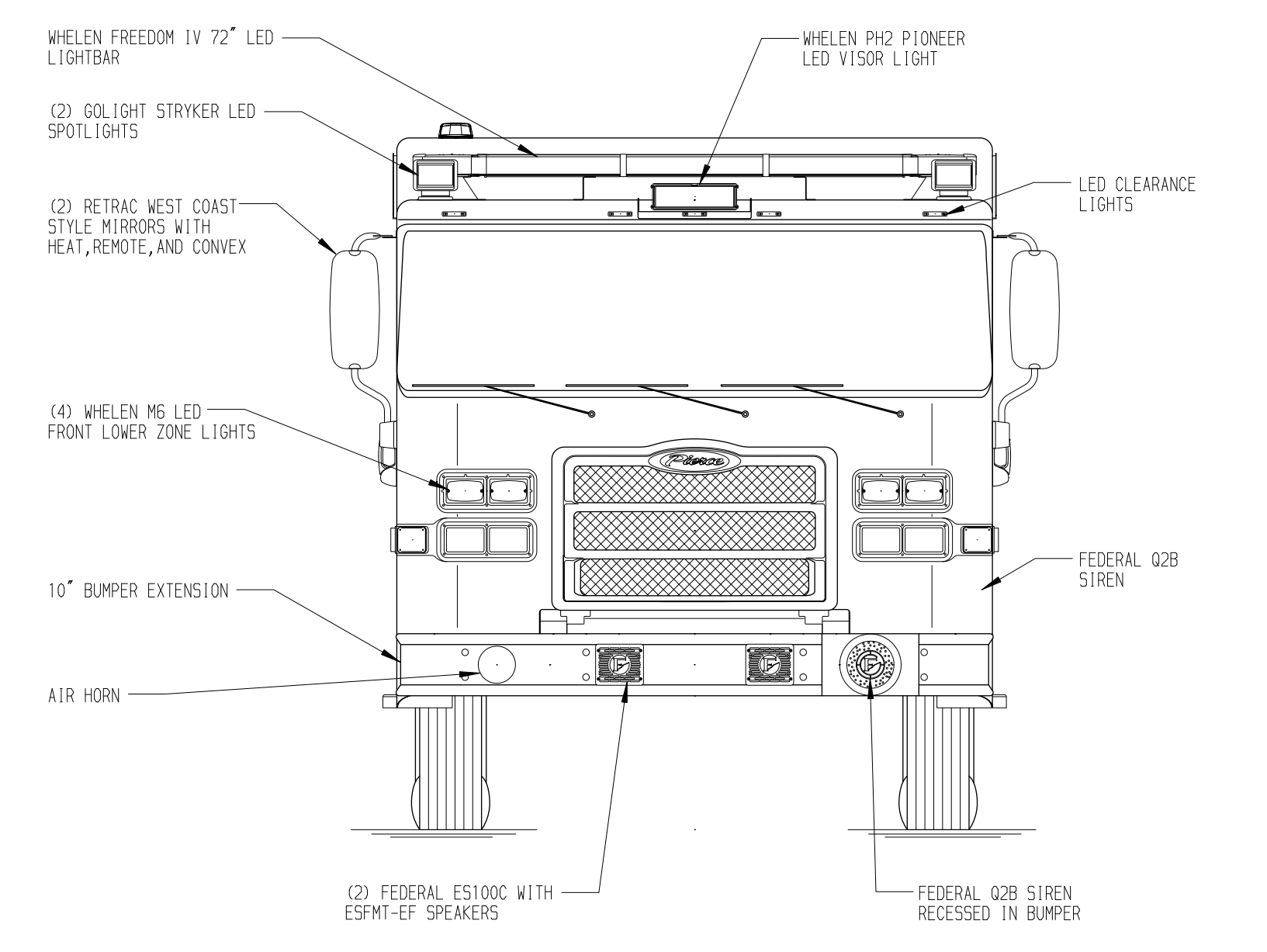
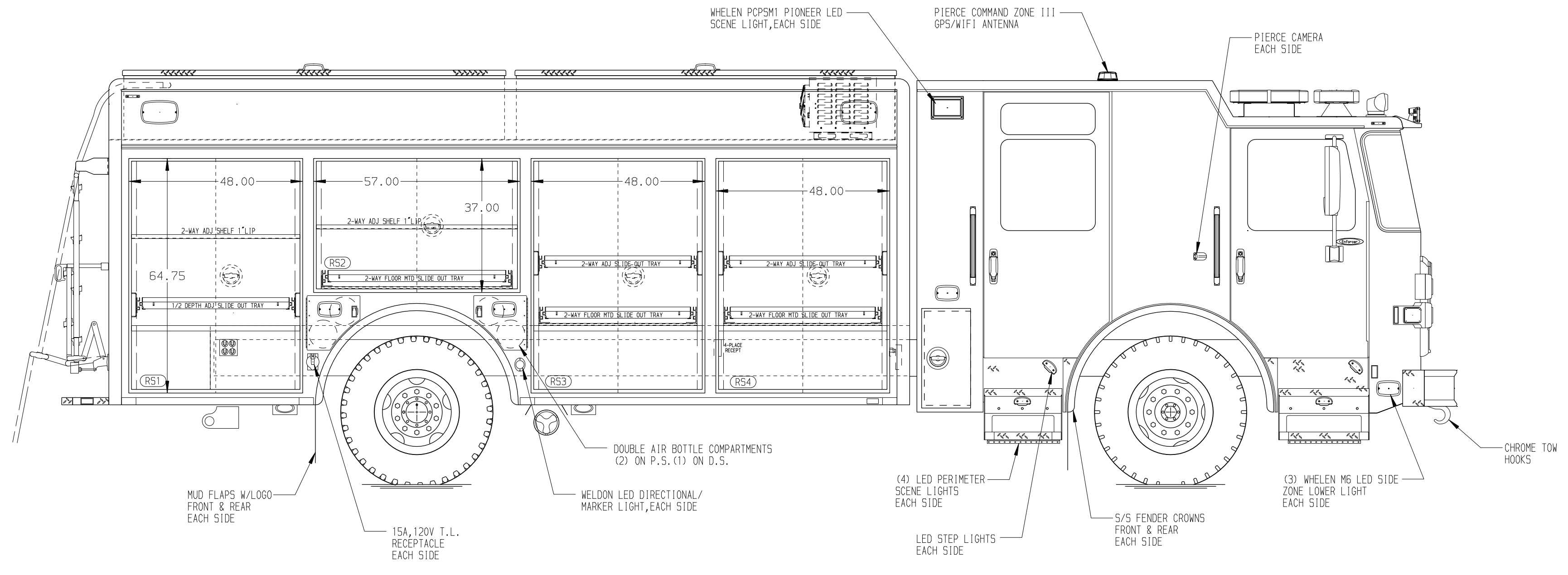
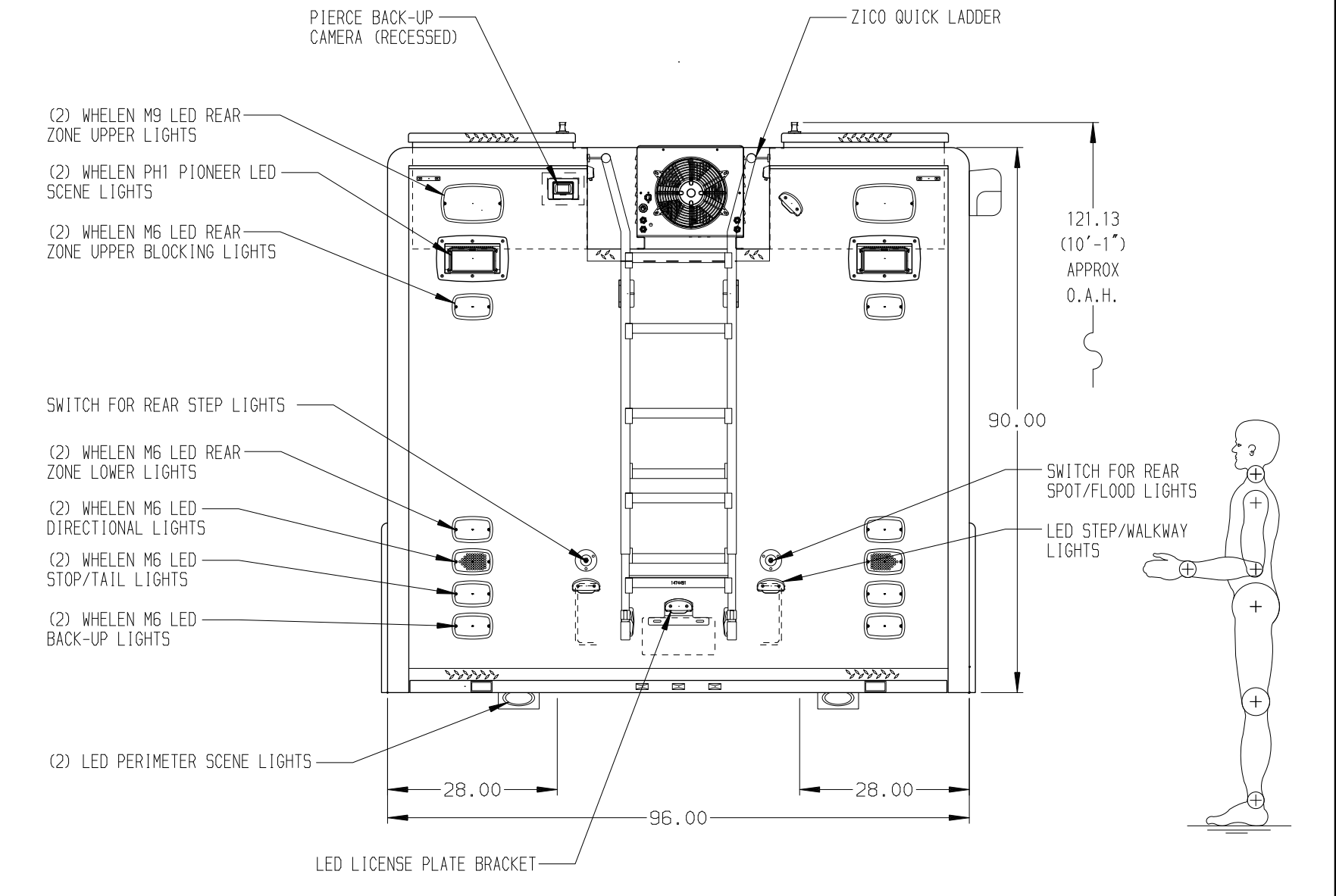


- RIGHT SIDE COMPARTMENTS CONTAIN THE FOLLOWING:**
- COMPARTMENT R51 CONTAINS:
 - (1) 15/20A, 120V 4-PLACE RECEPTACLE
 - (1) REAR WALL COMPARTMENT DIVIDER(24"H)
 - (1) 1/2 DEPTH ADJ SLIDE OUT TRAY
 - (1) 2-WAY ADJ SHELF WITH 1" LIP
 - (1) HORIZONTAL FLOOR EXTENSION
 - COMPARTMENT R52 CONTAINS:
 - (1) 2-WAY FLOOR MOUNTED SLIDE OUT TRAY
 - (1) 2-WAY ADJ SHELF WITH 1" LIP
 - COMPARTMENT R53 CONTAINS:
 - (1) HORIZONTAL FLOOR EXTENSION
 - (1) 2-WAY FLOOR MOUNTED SLIDE OUT TRAY
 - (1) 2-WAY ADJ SLIDE OUT TRAY
 - COMPARTMENT R54 CONTAINS:
 - (1) CAB LIFT CONTROLLER
 - (1) HORIZONTAL FLOOR EXTENSION
 - (1) 2-WAY FLOOR MOUNTED SLIDE OUT TRAY
 - (1) 2-WAY ADJ SLIDE OUT TRAY
 - (1) 15/20A, 120V 4-PLACE RECEPTACLE



- LEFT SIDE COMPARTMENTS CONTAIN THE FOLLOWING:**
- COMPARTMENT LS1 CONTAINS:
 - (1) HORIZONTAL FLOOR EXTENSION
 - (1) 2-WAY ADJ SHELF WITH 1" LIP
 - (2) 1/2 FLOOR MTD SLIDE OUT TRAYS WITH TOOLBOARDS
 - (1) REAR WALL COMPARTMENT DIVIDER(24"H)
 - COMPARTMENT LS2 CONTAINS:
 - (1) 2-WAY FLOOR MOUNTED SLIDE OUT TRAY
 - (1) 2-WAY ADJ SHELF WITH 1" LIP
 - COMPARTMENT LS3 CONTAINS:
 - (1) HORIZONTAL FLOOR EXTENSION
 - (1) 2-WAY FLOOR MOUNTED SLIDE OUT TRAY
 - (1) 2-WAY ADJ SLIDE OUT TRAY
 - COMPARTMENT LS4 CONTAINS:
 - (1) IOTA 75 AMP BATTERY CHARGER
 - (1) HORIZONTAL FLOOR EXTENSION
 - (1) 2-WAY ADJ SLIDE OUT TRAY
 - (1) 2-WAY FLOOR MOUNTED SLIDE OUT TRAY
 - (1) CIRCUIT BREAKER PANEL
 - (1) GENERATOR METER PANEL
 - (1) SUB FEED BOX



NOTE
DIMENSIONS SHOWN ARE APPROXIMATE AND ARE SUBJECT TO MINOR DEVIATIONS AS MAY OCCUR OR BE NECESSARY IN CONSTRUCTION. MINOR DETAILS NOT SHOWN.

- NOTES:**
- FLOOR IN CAB AND CREW CAB TO BE PADDED RUBBER
 - BATTERY CHARGE INDICATOR LOCATED ON DRIVER'S SEAT RISER
 - BRUSHED 5/5 INCLUDE ALL BODY LAP DOORS
 - PIERCE LED STRIP LIGHTS IN ALL BODY AND HATCH COMPARTMENTS
 - (2) 15A, 120V 6-PLACE RECEPTACLES LOCATED ON REAR OF ENGINE TUNNEL

NOTE:
LAP DOORS HAVE BEEN SHOWN IN HIDDEN LINES TO CLEARLY IDENTIFY THE EQUIPMENT IN EACH COMPARTMENT. DASHED LINES ON SIDES ARE DOORS IN OPEN POSITION

CLEAR DOOR WIDTH KEY		REV	DATE	BY	CH	CHASSIS DATA	TITLE
AMOR ROLL UP DOORS:	-2 1/4"	29JAN24	DHE	CDK			HEAVY DUTY RESCUE NON-WALKIN
CORTITE ROLL UP DOORS:	-2 1/2"	22AUG23	DHE	CDK			LONG BEACH FIRE DEPARTMENT
PIERCE DOUBLE LAP DOORS:	-4 1/4"	24MAY23	DHE	CDK		PIERCE	BID #521
PIERCE LIFT-UP LAP DOORS:	-1 1/2"	01FEB23	DHE	CDK		MODEL	ADRIAN BEYER
(EX: 60" F-F - 2 1/4" = 57 3/4" CLEAR) (F-F) = FRAME TO FRAME						EN7010	DWG NO. 39306AD

Pierce MANUFACTURING INC.		JOB NO.	39306
SCALE	1:24	DATE	
DRAWN BY	DHE	CHECKED BY	CDK
DWG NO.	39306AD	SHEET NO.	1 OF 1